

CURTAIN SPRAY NOZZLE

SS304



Curtain spray nozzles are used for providing a thin water curtain, and protecting the hazard area from radiant heat of other fires. It forms a flat semi-circular curtain of water, and can also be used to protect openings in building such as windows, or even for outdoor applications. Available in different flow rates (K factor)

Brief Description: AAAG Curtain Spray nozzle, made of Stainless Steel (SS304), with ½” male threaded inlet (¾” threaded inlet option available). The nozzle K factors (SI) available include 23/ 30/ 37/ 45/ 53/ 72, while spray will be an approximate semi-circular pattern.

1.0 GENERAL DATA

1.1	Make	AAAG
1.2	Model	CN
1.3	Inlet	½” / ¾” Male threaded (BSP) inlet
1.4	Outlet	Spray nozzle
1.5	Material of Construction	Stainless Steel (SS304)
1.6	Reference	--

2.0 MATERIAL OF CONSTRUCTION

2.1	Body	SS304, IS:3444 Gr. I
-----	------	----------------------

3.0 TESTING AND QUALITY CONTROL

3.1	Dimensional check	See Drawing below
3.2	Operational test	Flow as per specified K-factor, Semi-circular spray pattern
3.3	Documentation	Internal inspection report, supplier’s certificates, approved laboratory test certificates

4.0 OPERATIONAL/ TECHNICAL DATA

4.1	Working pressure	1.5 to 10 Kgf/cm ²
4.2	Weight (Approx.)	0.15 Kgs.

5.0 FINISH

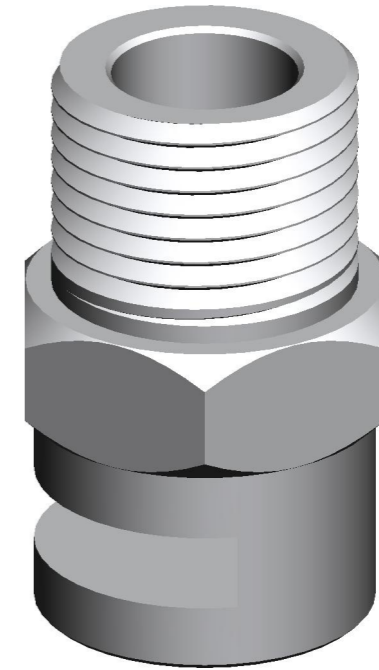
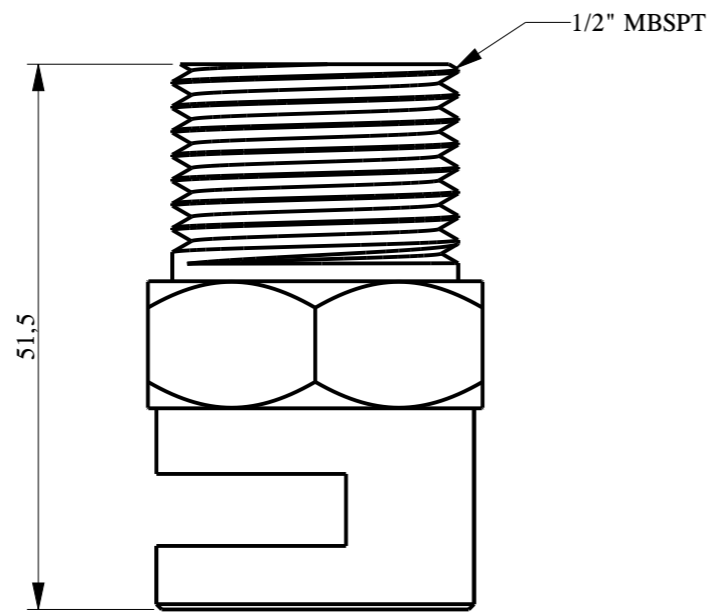
5.1	Nozzle	Natural finish
-----	--------	----------------

6.0 APPROVALS & MARKING

6.1	Approvals	--
6.2	Marking	AAAG/ Year of Mfg./ K-factor

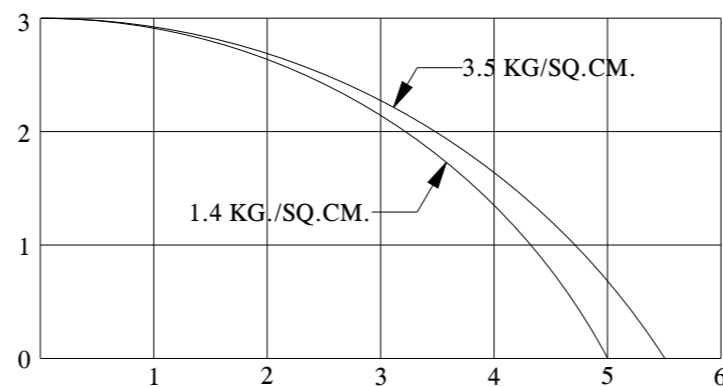
7.0 WARRANTY

7.1	Warranty & Guarantee	12 Months from the date of supply
-----	----------------------	-----------------------------------



WATER CURTAIN SPRAY NOZZLE

K-FACTOR	23	30	37	45	53	72				
SPRAY ANGLE	180°									
CAPACITY	43 To 135 LPM @ 3.5 Kgf/Cm2									
MATERIAL	S.S 304 IS:3444 Gr.1									
FINISH	Polished									
WEIGHT	0.2 Kg. Approx									



Shah Bhogilal Jethalal & Bros.

AHMEDABAD

TITLE :

Water Curtain Nozzle,
SS 304, Conventional Design

SCALE

DRAWING NO:

SHEET

REV.

N.T.S

S291C-12BJ

1 OF 1

0