

# CURTAIN SPRAY NOZZLE

BRASS



Curtain spray nozzles are used for providing a thin water curtain, and protecting the hazard area from radiant heat of other fires. It forms a flat semi-circular curtain of water, and can also be used to protect openings in building such as windows, or even for outdoor applications. Available in different flow rates (K factor)

**Brief Description:** AAAG Curtain Spray nozzle, made of brass (forged), with ½" male threaded inlet (¾" threaded inlet option available). The nozzle K factors (SI) available include 23/ 30/ 37/ 45/ 53/ 72, while spray will be an approximate semi-circular pattern.

## 1.0 GENERAL DATA

1.1	Make	AAAG
1.2	Model	CN
1.3	Inlet	½" / ¾" Male threaded (BSP) inlet
1.4	Outlet	Spray nozzle
1.5	Material of Construction	Bronze
1.6	Reference	--

## 2.0 MATERIAL OF CONSTRUCTION

2.1	Body	Bronze IS:291 Gr. 1
-----	------	---------------------

## 3.0 TESTING AND QUALITY CONTROL

3.1	Dimensional check	See Drawing below
3.2	Operational test	Flow as per specified K-factor, Semi-circular spray pattern
3.3	Documentation	Internal inspection report, supplier's certificates, approved laboratory test certificates

## 4.0 OPERATIONAL/ TECHNICAL DATA

4.1	Working pressure	1.5 to 10 Kgf/cm <sup>2</sup>
4.2	Weight (Approx.)	0.2 Kgs.

## 5.0 FINISH

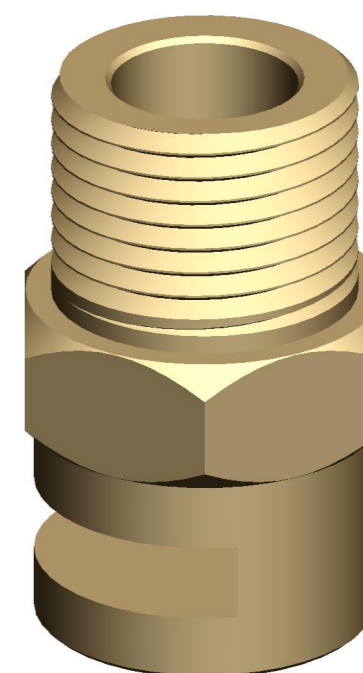
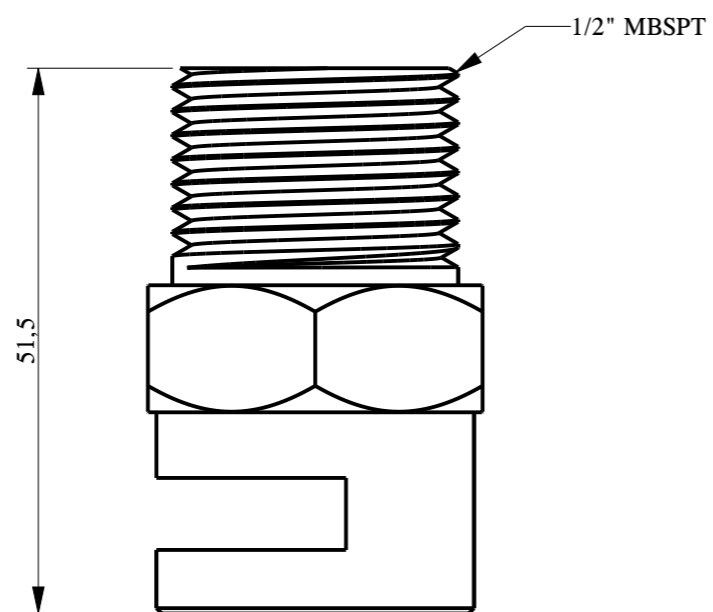
5.1	Nozzle	Natural finish or Chromium plated
-----	--------	-----------------------------------

## 6.0 APPROVALS & MARKING

6.1	Approvals	--
6.2	Marking	AAAG/ Year of Mfg./ K-factor

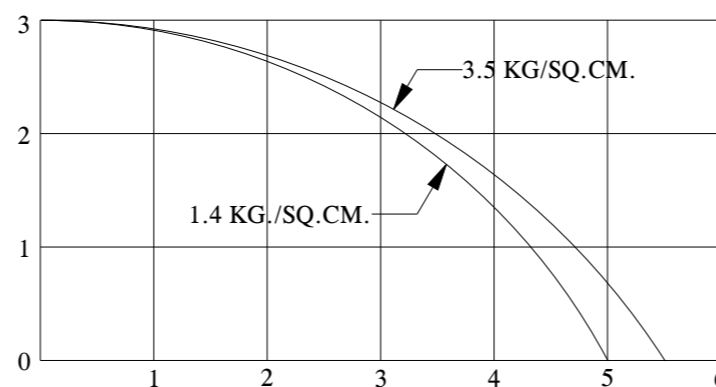
## 7.0 WARRANTY

7.1	Warranty & Guarantee	12 Months from the date of supply
-----	----------------------	-----------------------------------



### WATER CURTAIN SPRAY NOZZLE

K-FACTOR	23	30	37	45	53	72				
SPRAY ANGLE	180°									
CAPACITY	43 To 135 LPM @ 3.5 Kgf/Cm2									
MATERIAL	Bronze IS:291 Gr.1									
FINISH	Polished									
WEIGHT	0.2 Kg. Approx									



**Shah Bhogilal Jethalal & Bros.**

AHMEDABAD

TITLE :

Water Curtain Nozzle,  
Brass, Conventional Design

SCALE

DRAWING NO:

SHEET

REV.

N.T.S

B291C-12BJ

1 OF 1

0