

MEDIUM VELOCITY SPRAY NOZZLE

SS316



Medium Velocity spray nozzles are used for numerous applications in fire fighting, mainly for cooling unprotected steel construction and maintaining structural integrity, radiant heat protection, fire prevention, control and extinguishing. Different flow capacities (K factor) and spray angles can be used depending upon application.

Brief Description: AAAG Medium Velocity Water Spray nozzle, made of Stainless Steel (SS316), with ½” male threaded inlet. Nozzle pin shall be of brass, deflector shall be brass sheet. The nozzle K factors (SI) available include 22, 30, 35, 41, 51, 64, 79, 91, 102, while spray angle can be 60°/90°/100°/110°/120°.

1.0 GENERAL DATA

| | | |
|-----|--------------------------|--|
| 1.1 | Make | AAAG |
| 1.2 | Model | MV |
| 1.3 | Inlet | ½” Male threaded (BSP) inlet (¾” option available) |
| 1.4 | Outlet | Spray nozzle & deflector |
| 1.5 | Material of Construction | Stainless Steel |
| 1.6 | Reference | -- |

2.0 MATERIAL OF CONSTRUCTION

| | | |
|-----|-----------|----------------------|
| 2.1 | Body | SS316 IS:3444 Gr. IV |
| 2.2 | Pin | SS316 IS:3444 Gr. IV |
| 2.3 | Deflector | SS316 IS:3444 Gr. IV |

3.0 TESTING AND QUALITY CONTROL

| | | |
|-----|-------------------|--|
| 3.1 | Dimensional check | See Drawing below |
| 3.2 | Operational test | Flow/Angle as per specified K-factor & spray angle |
| 3.3 | Documentation | Internal inspection report, supplier’s certificates, approved laboratory test certificates |

4.0 OPERATIONAL/ TECHNICAL DATA

| | | |
|-----|------------------|-------------------------------|
| 4.1 | Working pressure | 1.5 to 10 Kgf/cm ² |
| 4.2 | Weight (Approx.) | 0.12 Kgs. |

5.0 FINISH

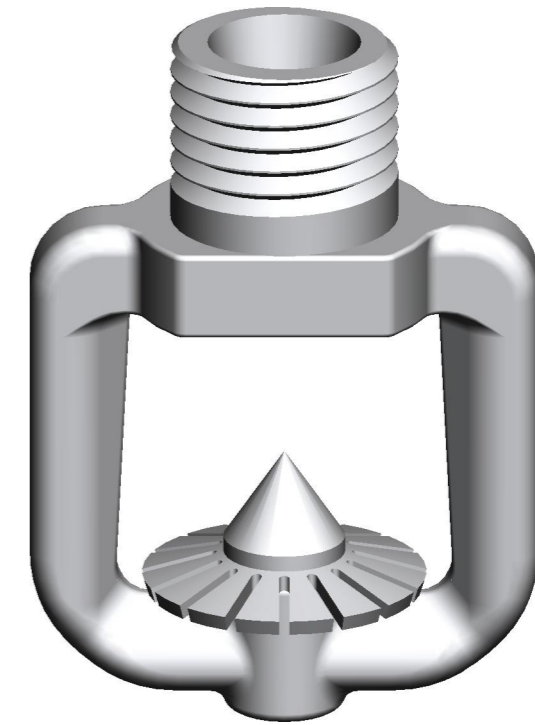
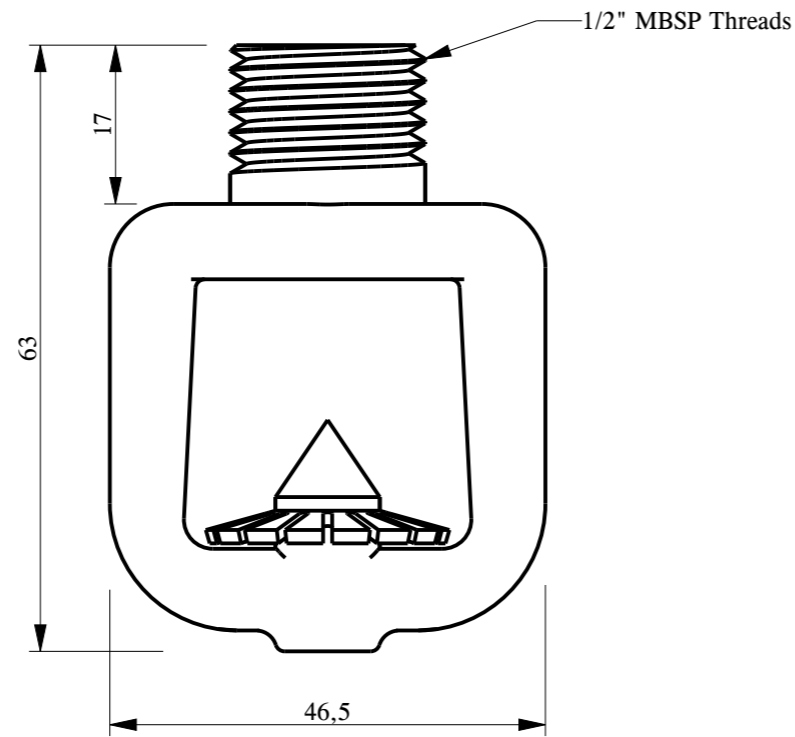
| | | |
|-----|--------|----------------|
| 5.1 | Nozzle | Natural finish |
|-----|--------|----------------|

6.0 APPROVALS & MARKING

| | | |
|-----|-----------|--|
| 6.1 | Approvals | -- |
| 6.2 | Marking | AAAG/ Year of Mfg./ K-factor/Spray Angle |

7.0 WARRANTY

| | | |
|-----|----------------------|-----------------------------------|
| 7.1 | Warranty & Guarantee | 12 Months from the date of supply |
|-----|----------------------|-----------------------------------|



MEDIUM VELOCITY WATER SPRAY NOZZLE

| | | | | | | | | | | |
|-------------|---|----|----|----|----|----|----|----|----|-----|
| K-FACTOR | 18 | 22 | 30 | 35 | 41 | 51 | 64 | 79 | 91 | 102 |
| SPRAY ANGLE | 60°, 90°, 100°, 110°, 120° | | | | | | | | | |
| CAPACITY | 34 TO 190 LPM @ 3.5 Kgf/Cm ² | | | | | | | | | |
| MATERIAL | S.S 316 IS:3444 Gr.4 | | | | | | | | | |
| FINISH | Polished | | | | | | | | | |
| WEIGHT | 0.12 Kg. Approx | | | | | | | | | |



Shah Bhogilal Jethalal & Bros.

AHMEDABAD

TITLE :

Medium Velocity Spray Nozzle,
SS 316, Conventional Design

SCALE

DRAWING NO:

SHEET

REV.

N.T.S

SM291A-12BJ

1 OF 1

0