

# MEDIUM VELOCITY SPRAY NOZZLE

BRASS



Medium Velocity spray nozzles are used for numerous applications in fire fighting, mainly for cooling unprotected steel construction and maintaining structural integrity, radiant heat protection, fire prevention, control and extinguishing. Different flow capacities (K factor) and spray angles can be used depending upon application.

**Brief Description:** AAAG Medium Velocity Water Spray nozzle, made of brass (forged), with ½” male threaded inlet. Nozzle pin shall be of brass, deflector shall be brass sheet. The nozzle K factors (SI) available include 22, 30, 35, 41, 51, 64, 79, 91, 102, while spray angle can be 60°/90°/100°/110°/120°.

## 1.0 GENERAL DATA

1.1	Make	AAAG
1.2	Model	MV
1.3	Inlet	½” Male threaded (BSP) inlet (¾” option available)
1.4	Outlet	Spray nozzle & deflector
1.5	Material of Construction	Bronze
1.6	Reference	--

## 2.0 MATERIAL OF CONSTRUCTION

2.1	Body	Bronze IS:291 Gr. 1
2.2	Pin	Bronze IS:291 Gr. 1
2.3	Deflector	Brass IS:2698

## 3.0 TESTING AND QUALITY CONTROL

3.1	Dimensional check	See Drawing below
3.2	Operational test	Flow/Angle as per specified K-factor & spray angle
3.3	Documentation	Internal inspection report, supplier’s certificates, approved laboratory test certificates

## 4.0 OPERATIONAL/ TECHNICAL DATA

4.1	Working pressure	1.5 to 10 Kgf/cm <sup>2</sup>
4.2	Weight (Approx.)	0.12 Kgs.

## 5.0 FINISH

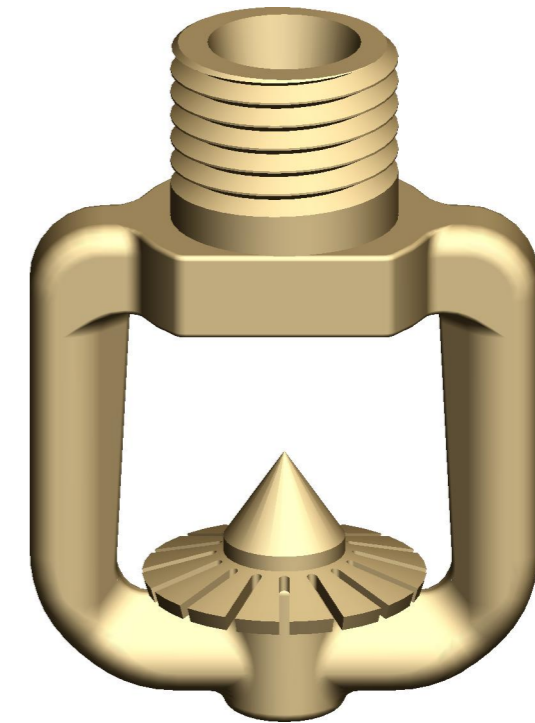
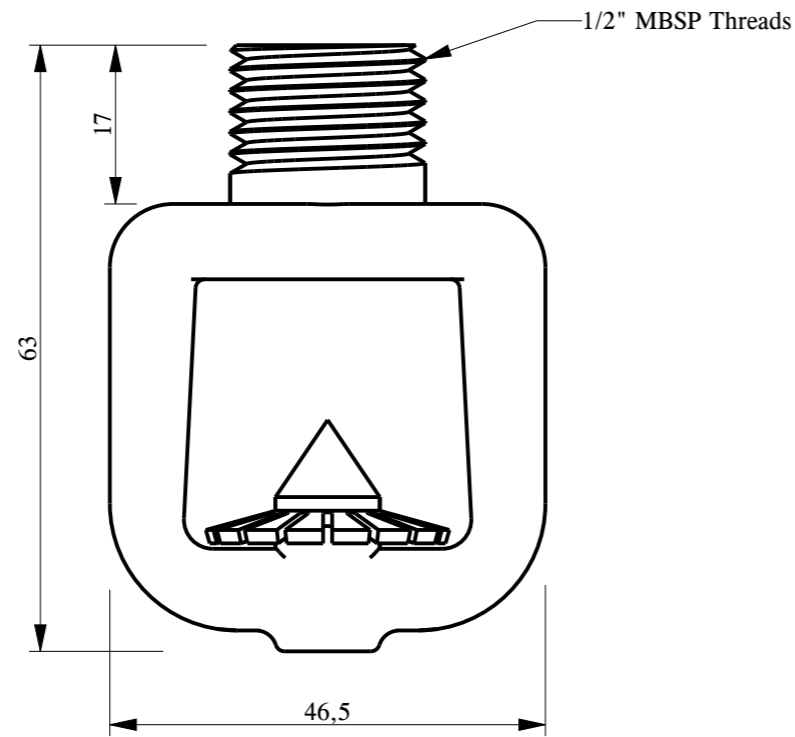
5.1	Nozzle	Natural finish or Chromium plated
-----	--------	-----------------------------------

## 6.0 APPROVALS & MARKING

6.1	Approvals	--
6.2	Marking	AAAG/ Year of Mfg./ K-factor/Spray Angle

## 7.0 WARRANTY

7.1	Warranty & Guarantee	12 Months from the date of supply
-----	----------------------	-----------------------------------



### MEDIUM VELOCITY WATER SPRAY NOZZLE

K-FACTOR	18	22	30	35	41	51	64	79	91	102
SPRAY ANGLE	60°, 90°, 100°, 110°, 120°									
CAPACITY	34 TO 190 LPM @ 3.5 Kgf/Cm <sup>2</sup>									
MATERIAL	S.S 304 IS:3444 Gr. 1									
FINISH	Polished									
WEIGHT	0.12 Kg. Approx									



**Shah Bhogilal Jethalal & Bros.**

AHMEDABAD

TITLE :

Medium Velocity Spray Nozzle,  
Brass, Conventional Design

SCALE

DRAWING NO:

SHEET

REV.

N.T.S

B291A-12BJ

1 OF 1

0