

FIXED INLINE INDUCTOR

SS304, 100 NB SIZE



Fixed Inline Inductors are used in fixed foam systems for inducting the correct amount of foam concentrate into the water stream. For correct operation, the Inductor flow and pressure must be matched to the discharge devices such as Foam Chambers, Foam Pourers or Spray nozzles

Brief Description : AAAG Fixed Inline Inductor, made of SS304, Flow range– 800 to 1800 lpm, Inlet-Outlet size 100 NB, flanges as per ANSI 16.5 150# (or as per request), with suitable size Foam compound inlet for specified induction rate. Inline Inductors shall have hydraulically efficient design, with maximum pressure drop across inductor not exceeding 35%.

1.0 GENERAL DATA

1.1	Make	AAAG
1.2	Model	ILF100
1.3	Inlet/Outlet	100 NB Flange (ANSI 16.5 150#)
1.4	Foam Compound Inlet	1¼" Threaded connection (FBSP)
1.5	Material of Construction	Stainless Steel (SS 304)
1.6	Induction Rate	3%/ 6%
1.7	Reference	--

2.0 MATERIAL OF CONSTRUCTION

2.1	Body/Pipes	SS 304
2.2	Flanges	SS 304 (ANSI 16.5 150lbs)
2.3	Foam Compound Inlet	Gunmetal IS:318 LTB2
2.4	Nozzle/Diffuser	Gunmetal IS:318 LTB2

3.0 TESTING AND QUALITY CONTROL

3.1	Dimensional check	See Drawing below
3.2	Operational test	Flow test (specified flow@7 kgf/cm ²)
3.3	Documentation	Internal inspection report, supplier's certificates, approved laboratory test certificates

4.0 OPERATIONAL/ TECHNICAL DATA

4.1	Working pressure	5 to 12 Kgf/cm ²
4.2	Length (Approx.)	450 mm
4.3	Weight (Approx.)	---

5.0 FINISH

5.1	Inductor	Natural/polished
-----	----------	------------------

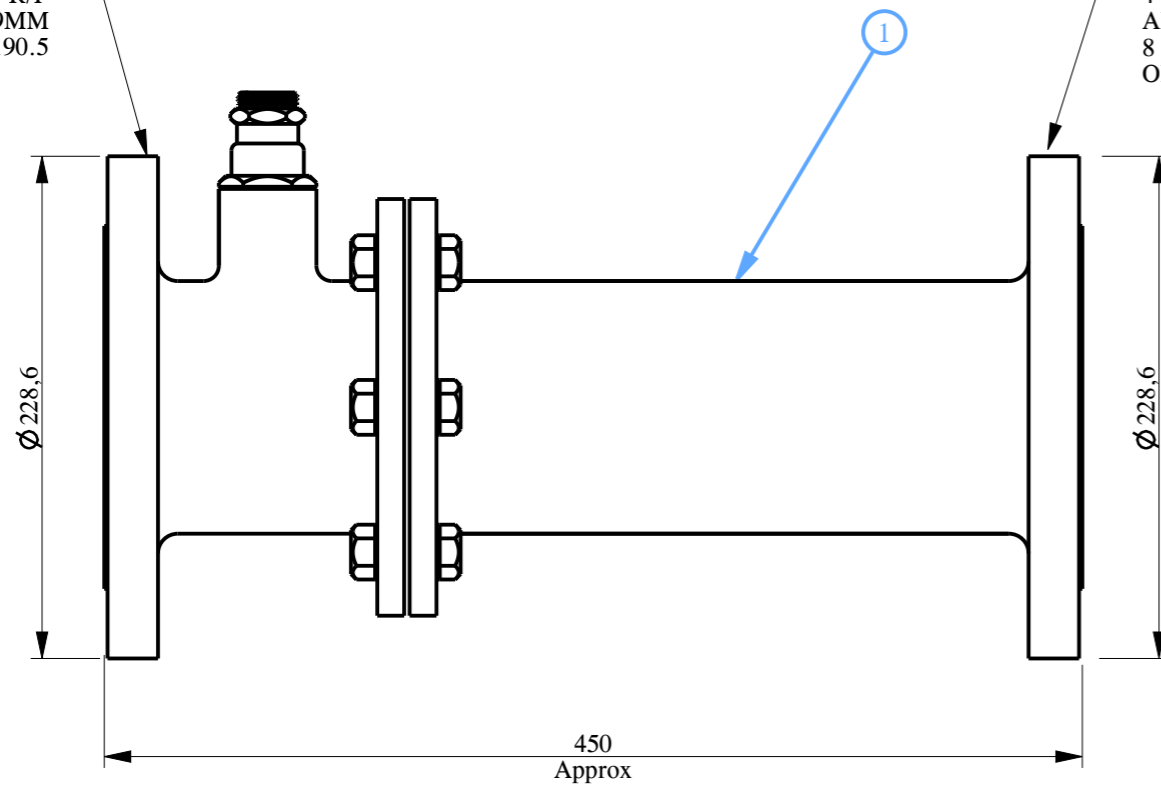
6.0 APPROVALS & MARKING

6.1	Approvals	--
6.2	Marking	AAAG/ Year of Mfg./ Capacity/ Sl. No

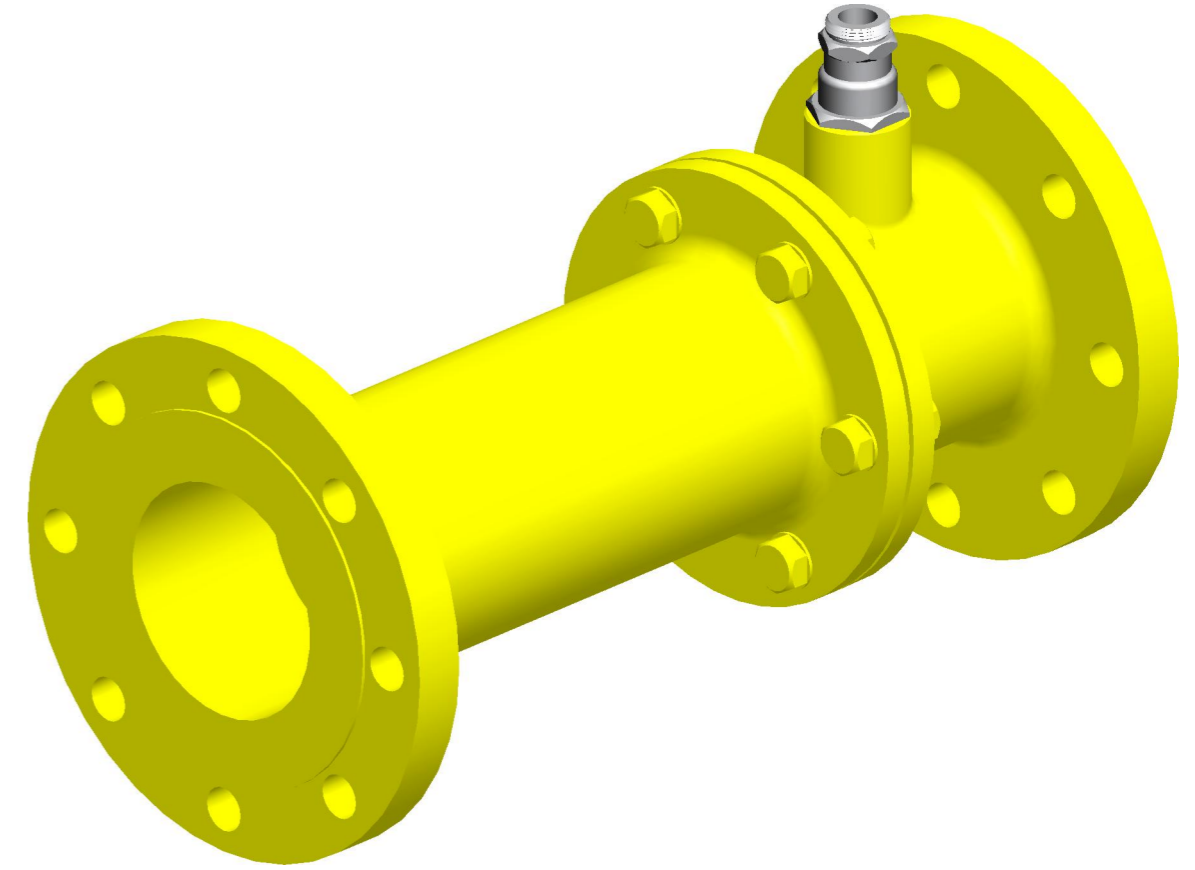
7.0 WARRANTY

7.1	Warranty & Guarantee	12 Months from the date of supply
-----	----------------------	-----------------------------------

4" NB FLANGE AS PER
ANSI B 16.5 150# R/F
8 HOLES Ø 19MM
ON PCD 190.5



4" NB FLANGE AS PER
ANSI B 16.5 150# R/F
8 HOLES Ø 19MM
ON PCD 190.5



Notes :

Capacity : 800 To 1800 Lpm @ 7 Kgf/Cm2
Induction : 3% / 6%

NO.	DESCRIPTION	MATERIAL
1	Fixed Inline Inductor	SS 304
PART LIST		

AAAG SINCE 1933 **Shah Bhogilal Jethalal & Bros.**
AHMEDABAD

TITLE : Fixed Inline Inductor, 800-1800 Lpm Capacity,
SS 304, Conventional Design

SCALE	DRAWING NO:	SHEET	REV.
N.T.S	S285-100BJ	1 OF 1	0