

MOBILE FOAM TROLLEY UNIT

FRP BODY, 100 LTRS CAPACITY



Mobile foam trolley units are mobile foam compound tanks fitted with foam branches and inductors, and having arrangement to carry hoses. Ideal for quick mobilization of foam equipment and application of foam, especially for areas such as Oil depots, Paint/ Solvent storage areas, Petrochemical complexes, etc.

Brief Description : AAAG Mobile Foam Trolley Unit MFT100-F, consisting of FRP tank (100 Ltrs capacity), mounted on sturdy chassis/frame for easy maneuverability. Arrangements provided to mount low/medium expansion Foam Branch and matching Inline Inductor of 225/450 lpm capacity, as well as two nos. 15 Mtrs long Fire fighting Delivery hoses.

1.0 GENERAL DATA

1.1	Make	AAAG
1.2	Model	MFT100-F
1.3	Capacity	100 Ltrs
1.4	Foam Equipment	Foam Branch (225/450 lpm) with matching Inline Inductor
1.5	Reference	--

2.0 MATERIAL OF CONSTRUCTION

2.1	Tank	FRP
2.2	Chassis frame	M.S. / SS 304
2.3	Wheels	Solid polymer
2.4	Hose basket	SS 304
2.5	Foam Branch	Alu. IS 7882-1975/ SS304
2.6	Inline Inductor	Alu. IS 7882-1975/ SS304

3.0 TESTING AND QUALITY CONTROL

3.1	Performance Requirements	Easy maneuverability of Trolley unit. Flow test as per branch/inductor capacity.
3.2	Documentation	Internal inspection report, supplier's certificates, approved laboratory test certificates

4.0 OPERATIONAL/ TECHNICAL DATA

4.1	Working pressure (for Foam eqpt)	7 to 10 Kgf/cm ²
4.2	Branch/ Inline Inductor	FB 5 (225 lpm at 7 kg/cm ²) & matching Inline Inductor OR FB 10 (450 lpm at 7 kg/cm ²) & matching Inline Inductor.
4.3	Hoses	RRL or Synthetic Hoses, 15 Mtrs length (2 Nos).

5.0 FINISH

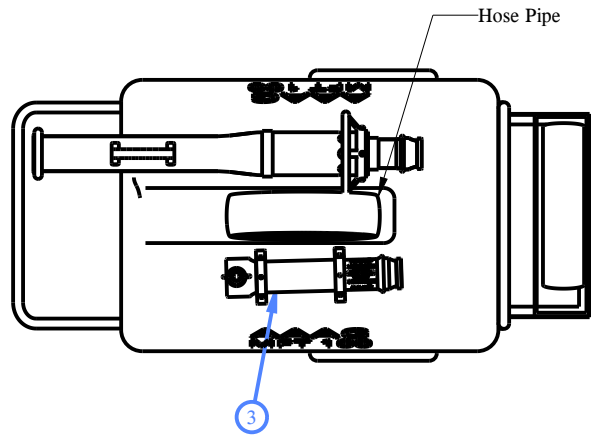
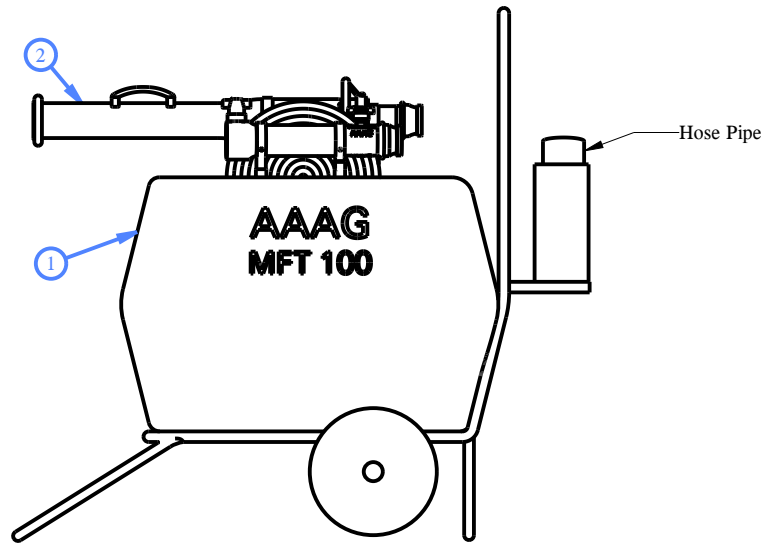
5.1	Tank	Bright yellow colour
5.2	Branch/ Inline Inductor	Painted Fire Red/ Yellow Color
5.3	SS parts	Natural shining finish

6.0 APPROVALS & MARKING

6.1	Approvals	--
6.2	Marking on Nozzle	AAAG/ Year of Mfg./ Capacity/ SL. No

7.0 WARRANTY

7.1	Warranty & Guarantee	12 Months from the date of supply
-----	----------------------	-----------------------------------



1	Tank	FRP
2	Foam Branch Pipe	Alu. IS:7882-1975
3	Inline Inductor	Alu. IS:7882-1975
NO.	DESCRIPTION	MATERIAL
PART LIST		



Shah Bhogilal Jethalal & Bros.

AHMEDABAD

TITLE :

Mobile Foam Unit, 100 Ltrs Capacity,
FRP Body, Conventional Design

SCALE	DRAWING NO:	SHEET	REV.
N.T.S	F270-100BJ	1 OF 1	0