

## PORTABLE INLINE INDUCTOR

225 LPM, SS316



Portable Inline Inductors provide the means for accurate induction and mixing of foam concentrate into the water stream, for operation of foam branches and equipment. These Inline Inductors are matched to AAAG foam equipment such as LX, MX and HX branches and generators.

**Brief Description :** AAAG Portable Inline Inductor, matching to FB 5X (Foam Branch of capacity 225 lpm at 7 kgf/cm<sup>2</sup> inlet pressure). Constructed of SS316, having 63 mm Male Inlet/ Female Inst. Outlet. Induction rate shall be 3% (optional 6%), with outlet pressure at least 65% of Inlet pressure. Supplied with PVC Pick up tube and SS304 dip tube.

### 1.0 GENERAL DATA

1.1	Make	AAAG
1.2	Model	ILP225
1.3	Inlet/ Outlet	63 mm Inst. Male Inlet / Female Outlet
1.4	Foam Compound Inlet	Quick coupling (screwed) connection for use with Pick up tube
1.5	Material of Construction	Stainless Steel (SS316)
1.6	Reference Standard	--

### 2.0 MATERIAL OF CONSTRUCTION

2.1	Body/Improver	SS316 IS:3444 Gr. IV
2.2	Inlet Nozzle	SS316 IS:3444 Gr. IV
2.3	Instantaneous Inlet/ Outlet	SS316 IS:3444 Gr. IV
2.4	Pick up Tube	PVC Braided Hose/SS304 Pipe

### 3.0 TESTING AND QUALITY CONTROL

3.1	Dimensional check	See Drawing Below
3.2	Performance Requirements	Flow matching to FB 5X Foam Branch having nominal capacity of 225 lpm at 7.0 kgf/cm <sup>2</sup> inlet pressure, Induction - 3%
3.3	Documentation	Internal inspection report, supplier's certificates, approved laboratory test certificates

### 4.0 OPERATIONAL/ TECHNICAL DATA

4.1	Working pressure	5 to 12 Kg/cm <sup>2</sup>
4.2	Length (Approx)	450 mm
4.3	Weight (Approx.)	5.5 Kgs.

### 5.0 FINISH

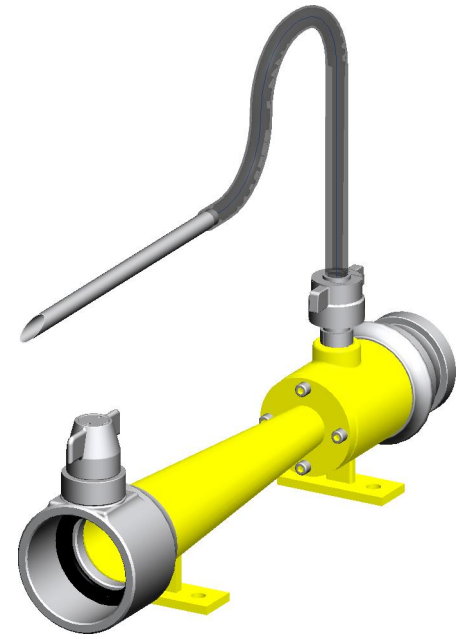
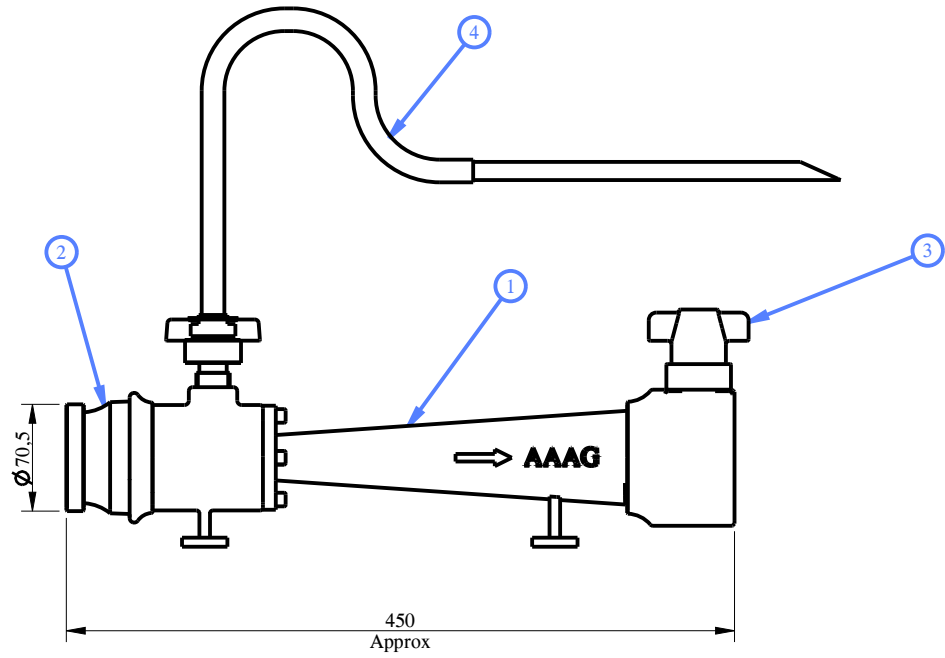
5.1	Branch	Painted - Fire Red/ Yellow Color
-----	--------	----------------------------------

### 6.0 APPROVALS & MARKING

6.1	Approvals	--
6.2	Marking on Nozzle	AAAG/ Year of Mfg./ Capacity/ SL. No

### 7.0 WARRANTY

7.1	Warranty & Guarantee	12 Months from the date of supply
-----	----------------------	-----------------------------------



1	Body	SS 316 IS: 3444 Gr-4
2	Male Inst. Inlet	SS 316 IS: 3444 Gr-4
3	Female Inst. Outlet	SS 316 IS: 3444 Gr-4
4	Pick Up Tube	PVC Hose/ SS 304 Pipe
NO.	DESCRIPTION	MATERIAL
PART LIST		



**Shah Bhogilal Jethalal & Bros.**

AHMEDABAD

TITLE : Portable Inline Inductor, 225 Lpm Capacity,  
SS 316, Conventional Design

SCALE	DRAWING NO:	SHEET	REV.
N. T. S	SM263-225BJ	1 OF 1	0