

# LOW EXPANSION FOAM BRANCH

225 LPM, ALUMINIUM, AS PER IS:2097



LX (Low Expansion) Foam Branches are handheld equipment, used to project mechanical foam from a distance onto fires which involve flammable liquids. Self-Inducting Foam branches are provided with pick-up tubes to allow induction of foam concentrate into the branch and mixing with the water stream.

**Brief Description :** AAAG Low expansion foam branch, as per IS:2097, of nominal foam solution capacity 225-250 lpm (FB 5X) at 5.5 Kg/cm<sup>2</sup>, constructed of aluminium material. Branch shall have arrangement for stopping flow of water and induction inlet with pick-up tube. Branch shall produce good quality foam (min. 8 times expansion) and have effective throw.

## 1.0 GENERAL DATA

1.1	Make	AAAG
1.2	Model	Foam Making Branch Pipe FB 5X (225 lpm @ 5.5 kgf/cm <sup>2</sup> )
1.3	Inlet	63mm Instantaneous Male Inlet
1.4	Outlet	Foam Discharge Pipe
1.5	Material of Construction	Aluminium
1.6	Reference	IS: 2097

## 2.0 MATERIAL OF CONSTRUCTION

2.1	Pipe	Aluminium IS:7882
2.2	Inlet body	Aluminium Gr. 4450 IS:617
2.3	Holding Ring	Aluminium Gr. 4450 IS:617
2.4	Inlet Male Instantaneous	Aluminium Gr. 4450 IS:617

## 3.0 TESTING AND QUALITY CONTROL

3.1	Dimensional check	As per IS:2097 (See Drawing Below)
3.2	Performance Requirements	Flow: 225-250 lpm at 5.5 kg/cm <sup>2</sup> , Range 15 Mtrs (min) Foam expansion 1:8 (min).
3.3	Documentation	Internal inspection report, supplier's certificates, approved laboratory test certificates

## 4.0 OPERATIONAL/ TECHNICAL DATA

4.1	Working pressure	5 to 8 Kgf/cm <sup>2</sup>
4.2	Length (Approx)	455 mm
4.3	Weight (Approx.)	3.2 Kgs.

## 5.0 FINISH

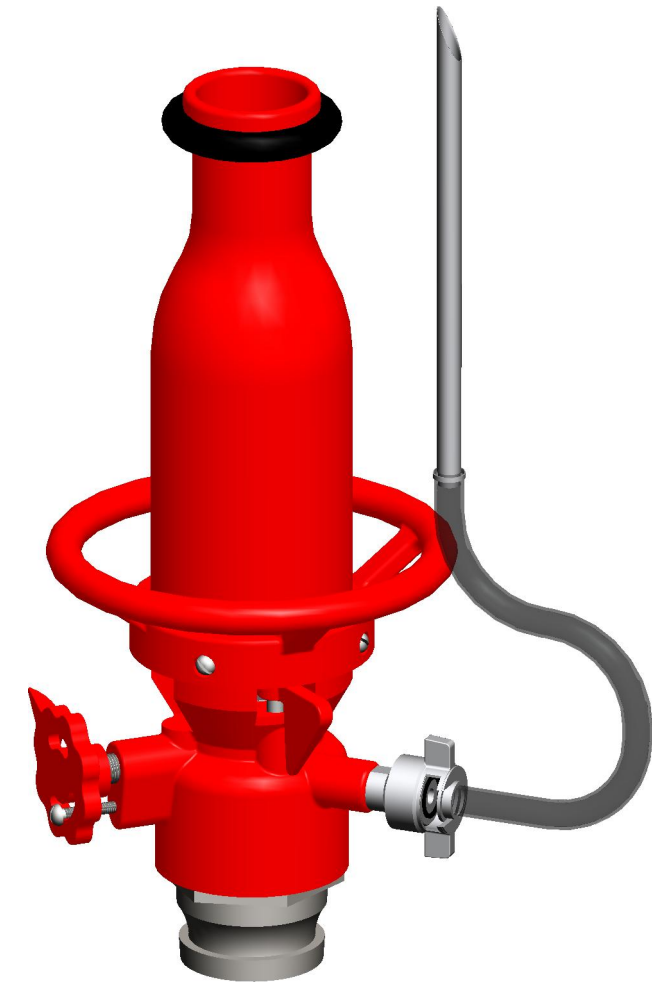
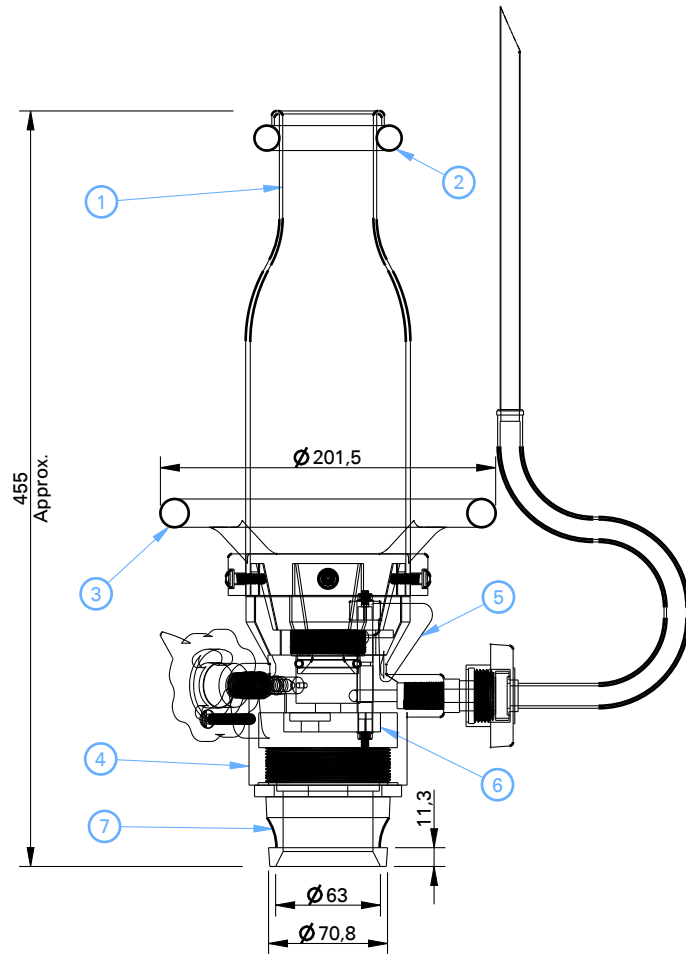
5.1	Branch	Painted - Fire Red Color as per IS: 5 Shade No. 536
-----	--------	---

## 6.0 APPROVALS & MARKING

6.1	Approvals	--
6.2	Marking on Nozzle	AAAG/ Year of Mfg./ Capacity/ SL. No

## 7.0 WARRANTY

7.1	Warranty & Guarantee	12 Months from the date of supply
-----	----------------------	-----------------------------------



1	Dome	Alu. IS: 7882
2	Washer	Rubber IS :937
3	Handle	Alu. IS: 617
4	Body	Alu. IS: 617
5	Lever	G.M. IS: 318 LTB-2
6	Lever	G.M. IS: 318 LTB-2
7	Male Coupling	Alu. IS: 617
NO	DESCRIPTION	MATERIAL
PART LIST		



**Shah Bhogilal Jethalal & Bros.**

AHMEDABAD

**TITLE :** Low Expansion Foam Branch, 225 Lpm Capacity, Aluminium, As Per IS:2097

SCALE	DRAWING NO:	SHEET	REV.
N.T.S	A261-225AS	1 OF 1	0