

# HOSE REEL (HORIZONTAL)

**CARBON STEEL, AS PER IS:884**



Hose Reels (Horizontal type) are first aid firefighting equipment, meant for use on small fires by semi-trained personnel. They are mainly meant for outdoor/industrial applications, though they are also used for building applications. A rubber/ PVC hose of 1" or ¾" dia. (of 30/ 36 mtrs length) is wound on the revolving drum, and connected to a discharge nozzle.

**Brief Description :** AAAG Hose Reel (Horizontal type), as per IS:884, made of Carbon Steel, having Rubber/ PVC hose 1"/ 1½" dia. of 30/36 mtrs. length, fitted with Shut off nozzle. It shall meet performance requirements as given in IS:884. Mounted on M.S. angle frame (optional).

## 1.0 GENERAL DATA

1.1	Make	AAAG
1.2	Size/ Model	Hose Reel (Horizontal type)
1.3	Inlet	1" MBSP Threaded connection
1.4	Outlet	Hose fitted with Jet type shut-off nozzle (Jet/Spray type optional)
1.5	Material of Construction	Carbon Steel
1.6	Reference	IS:884

## 2.0 MATERIAL OF CONSTRUCTION

2.1	Hub	Carbon (Mild) Steel IS:513
2.2	Side rim	Carbon (Mild) Steel IS:513
2.3	Swivel joint	Gunmetal IS:318 LTB2
2.4	Hose Reel tubing	Rubber/PVC (braided)
2.5	Shut off nozzle	Gunmetal IS:318 LTB2/ SS 304 Gr. I

## 3.0 TESTING AND QUALITY CONTROL

3.1	Dimensional check	See Drawing Below
3.2	Performance Requirements	Flow: min. 24 lpm @ 7 kgf/cm <sup>2</sup> , Range: 6 mtrs (min)
3.3	Documentation	Internal inspection report, supplier's certificates, approved laboratory test certificates

## 4.0 OPERATIONAL/ TECHNICAL DATA

4.1	Working pressure	2.5 to 7 Kgf/cm <sup>2</sup>
4.2	Weight (Approx.)	---

## 5.0 FINISH

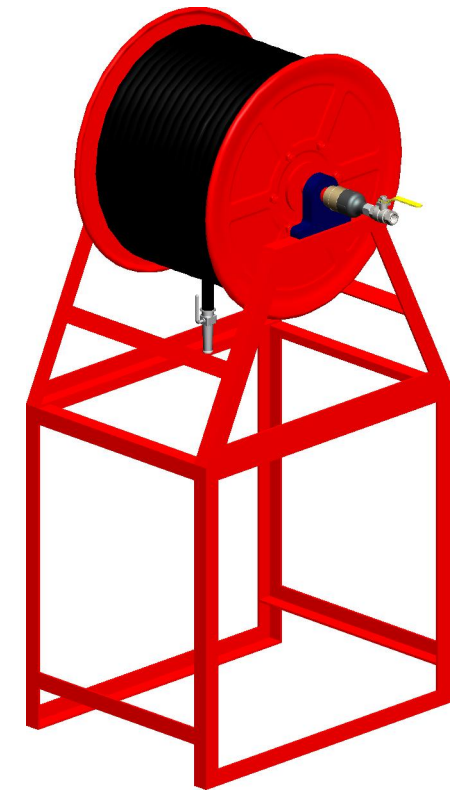
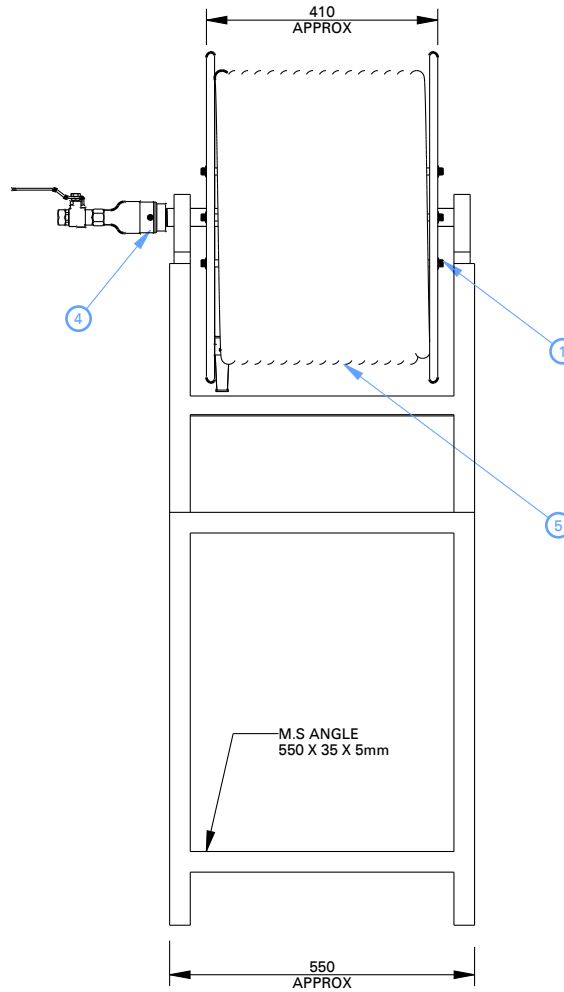
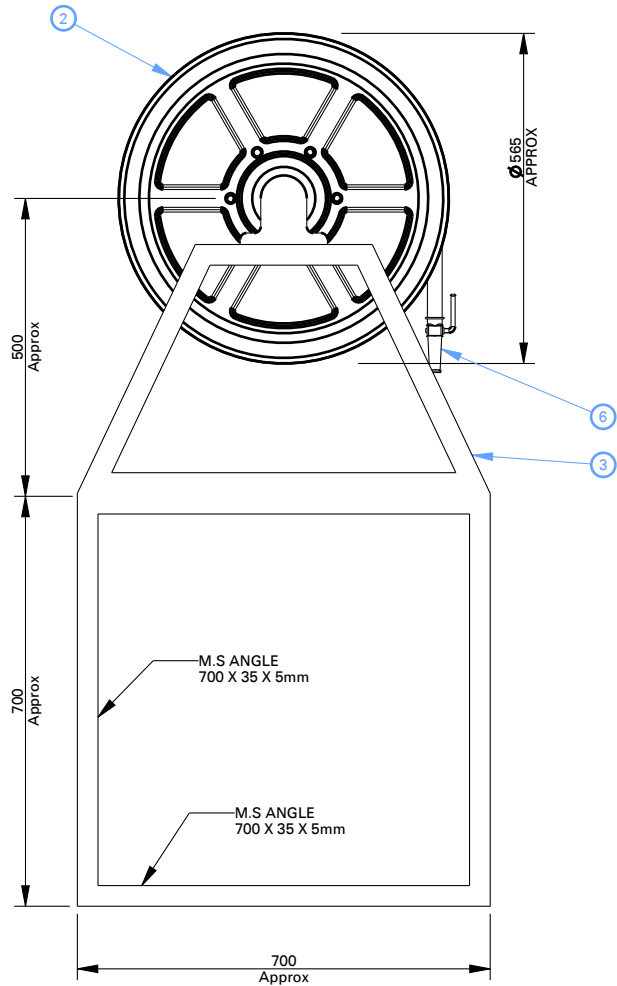
5.1	Hose Reel	Painted - Fire Red Color as per IS: 5 Shade No. 536
5.2	Nozzle	Natural finish/ Polished

## 6.0 APPROVALS & MARKING

6.1	Approvals	--
6.2	Marking on Nozzle	AAAG/ Year of Mfg / Sl. No

## 7.0 WARRANTY

7.1	Warranty & Guarantee	12 Months from the date of supply
-----	----------------------	-----------------------------------



**NOTES :**

Hydraulic Pressure Test For Body : 21 KG/CM2 (FOR 2 MIN.) Without Tubing

SIZE OF HOSE: 1. SIZE : 19mm DIA  
2. LENGTH : 40 Mtrs.

1	HUB	M.S. IS:513
2	SIDES	M.S. IS:513
3	SUPPORT FRAME	M.S. ANGLE
4	SWIVEL JOINT	G.M. IS:318 LTB-2
5	HOSE REEL TUBING	RUBBER BRAIDED
6	SHUT OFF NOZZLE	GM / SS
<b>NO</b>	<b>DESCRIPTION</b>	<b>MATERIAL</b>
<b>PART LIST</b>		



**Shah Bhogilal Jethalal & Bros.**

AHMEDABAD

**TITLE :**

Hose Reel, Horizontal Type,  
Carbon Steel, Conventional Design

**SCALE**

N.T.S

**DRAWING NO:**

M257-25AS

**SHEET**

1 OF 1

**REV.**

0