

## HOSE REEL (VERTICAL)

MILD STEEL, SWINGING TYPE, AS PER IS:884



Hose Reels are first aid firefighting equipment, meant for use by untrained/semi-trained personnel at the incipient stages of the fire. Hose Reels are strategically located at various locations, and fed by pressurized supply of water. A rubber/ PVC hose of 1" or ¾" dia. (of 30/ 36 mtrs length) is wound on the revolving drum, and connected to a discharge nozzle.

**Brief Description :** AAAG Hose Reel (Swinging type), As per IS:884, made of M.S. construction, having Rubber/ PVC hose of 1" / ¾" dia. of 30/36 mtrs. length, and fitted with Gunmetal/Stainless Steel Shut off nozzle. The Hose Reel shall provide a good range jet at the specified pressure for effective firefighting.

### 1.0 GENERAL DATA

1.1	Make	AAAG
1.2	Size/ Model	Hose Reel (Swinging type)
1.3	Inlet	1" MBSP Threaded connection
1.4	Outlet	Hose fitted with Jet type shut-off nozzle (Jet/Spray type optional)
1.5	Material of Construction	Mild Steel
1.6	Reference	IS:884

### 2.0 MATERIAL OF CONSTRUCTION

2.1	Hub	Mild Steel IS:513
2.2	Side rim	Mild Steel IS:513
2.3	Swivel joint	Gunmetal IS:318 LTB2
2.4	Hose Reel tubing	Rubber/PVC (braided)
2.5	Shut off nozzle	Gunmetal IS:318 LTB2/ SS 304 Gr. I

### 3.0 TESTING AND QUALITY CONTROL

3.1	Dimensional check	See Drawing Below
3.2	Performance Requirements	Flow: min. 24 lpm @ 7 kgf/cm <sup>2</sup> , Range: 6 mtrs (min)
3.3	Documentation	Internal inspection report, supplier's certificates, approved laboratory test certificates

### 4.0 OPERATIONAL/ TECHNICAL DATA

4.1	Working pressure	2.5 to 7 Kgf/cm <sup>2</sup>
4.2	Weight (Approx.)	---

### 5.0 FINISH

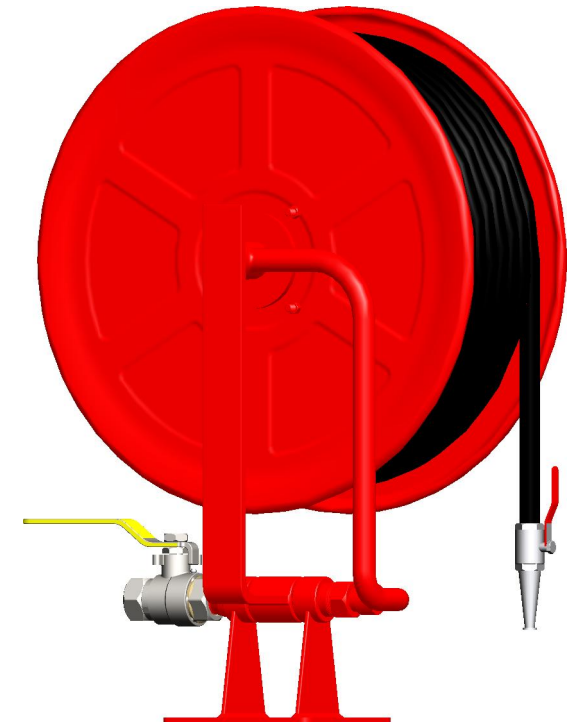
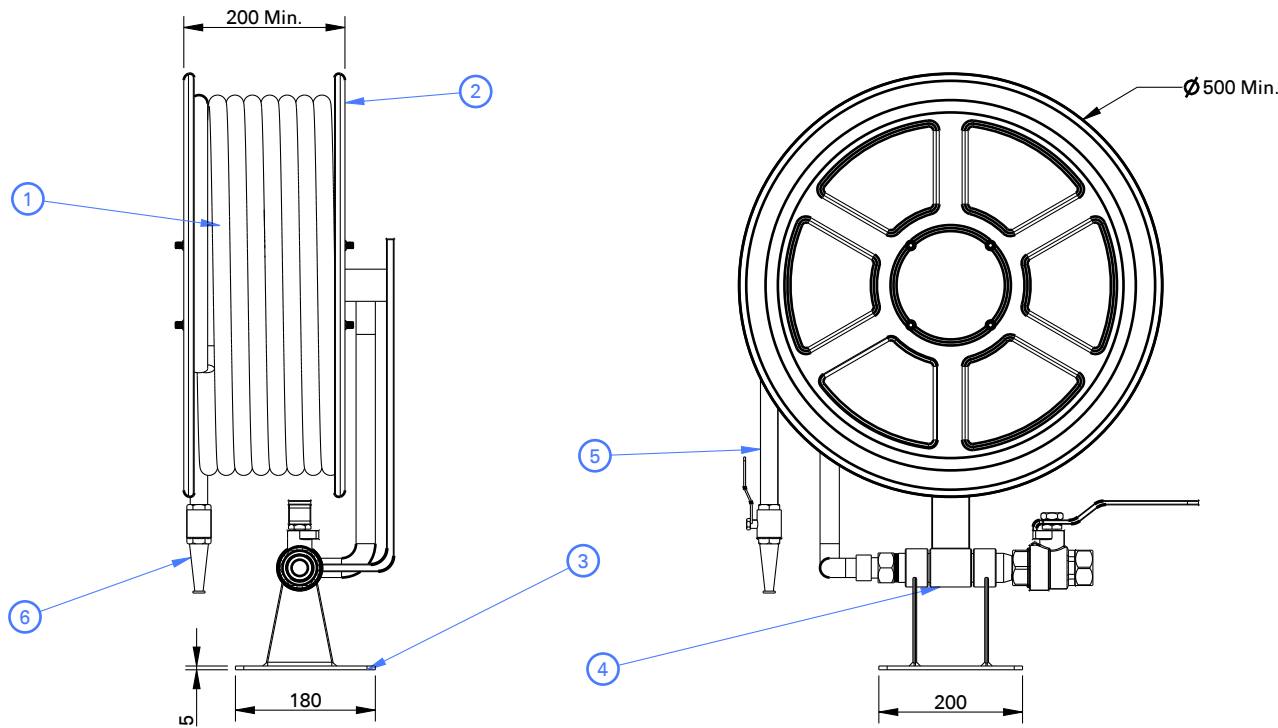
5.1	Hose Reel	Painted - Fire Red Color as per IS: 5 Shade No. 536
5.2	Nozzle	Natural finish/ Polished

### 6.0 APPROVALS & MARKING

6.1	Approvals	--
6.2	Marking on Nozzle	AAAG/ Year of Mfg / Sl. No

### 7.0 WARRANTY

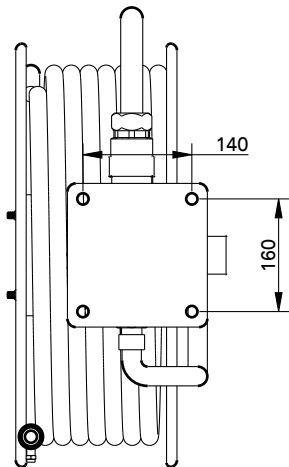
7.1	Warranty & Guarantee	12 Months from the date of supply
-----	----------------------	-----------------------------------



**NOTES :**

Hydraulic Pressure Test For Body : 21 KGF/CM2 (FOR 2 MIN.) Without Tubeing

SIZE OF HOSE: 1. SIZE : 19mm DIA  
2. LENGTH : 40 Mtrs.



1	HUB	M.S. IS:513
2	SIDES	M.S. IS:513
3	WALL BRACKET	M.S. IS:513
4	SWIVEL JOINT	G.M. IS:318 LTB-2
5	HOSE REEL TUBING	RUBBER BRAIDED
6	SHUT OFF NOZZLE	GM / SS
<b>NO.</b>	<b>DESCRIPTION</b>	<b>MATERIAL</b>
<b>PART LIST</b>		



**Shah Bhogilal Jethalal & Bros.**

AHMEDABAD

**TITLE :**

Hose Reel, Wall Mounted Type,  
Carbon Steel, As Per IS:884

**SCALE**

N.T.S

**DRAWING NO:**

M256-25AS

**SHEET**

1 OF 1

**REV.**

0