

WATER FOAM NOZZLE

SS316, 2840 LPM



Water Foam nozzles are used for projecting secondary aspirated (unaspirated) foam over long distances. Being more dense (expansion ratio 1:3 to 1:4), the unaspirated foam travels further as compared to normal foam, and is useful for tackling large flammable liquid fires, including storage tank fires. It can also be used as water nozzle for cooling/extinguishing.

Brief Description : AAAG Water Foam Nozzle, made of SS316, suitable for 75 mm waterway size monitor. Nozzle shall have nominal foam solution capacity of 2840 lpm (750 gpm) at 7 kg/cm², give good foam and water jets, and narrow/wide angle spray. It shall have swivel inlet matching to monitor threads, jet/ spray changeover arrangement, and rubber bumper.

1.0 GENERAL DATA

| | | |
|-----|--------------------------|---------------------------------------|
| 1.1 | Make | AAAG |
| 1.2 | Model | WFN 75 |
| 1.3 | Inlet | Threaded 3" BSP (Female) Swivel Inlet |
| 1.4 | Outlet | Hollow Jet/Spray Nozzle |
| 1.5 | Foam Compound Inlet | Threaded 1.5" BSP (Male) |
| 1.6 | Material of Construction | Stainless Steel SS316 |
| 1.7 | Reference | -- |

2.0 MATERIAL OF CONSTRUCTION

| | | |
|-----|----------------------------|--|
| 2.1 | Nozzle body | SS316, IS:3444 Gr. IV |
| 2.2 | Pattern Changeover Handles | SS316, IS:3444 Gr. IV (Rubber coated) |
| 2.3 | Bumper | Rubber (Natural) |
| 2.4 | Washer, O Rings | Rubber (Natural) |
| 2.5 | Pick-up Tube | PVC Non-collapsible Hose with SS304 Dip Tube |

3.0 TESTING AND QUALITY CONTROL

| | | |
|-----|-------------------|--|
| 3.1 | Dimensional check | See Drawing below |
| 3.2 | Documentation | Internal inspection report, supplier's certificates, approved laboratory test certificates |

4.0 OPERATIONAL/ TECHNICAL DATA

| | | |
|-----|-------------------|--------------------------------------|
| 4.1 | Working pressure | 5 to 12 Kg/cm ² |
| 4.2 | Discharge Pattern | Hollow Jet to Narrow Fog to Wide Fog |
| 4.3 | Weight (approx.) | --- |

5.0 FINISH

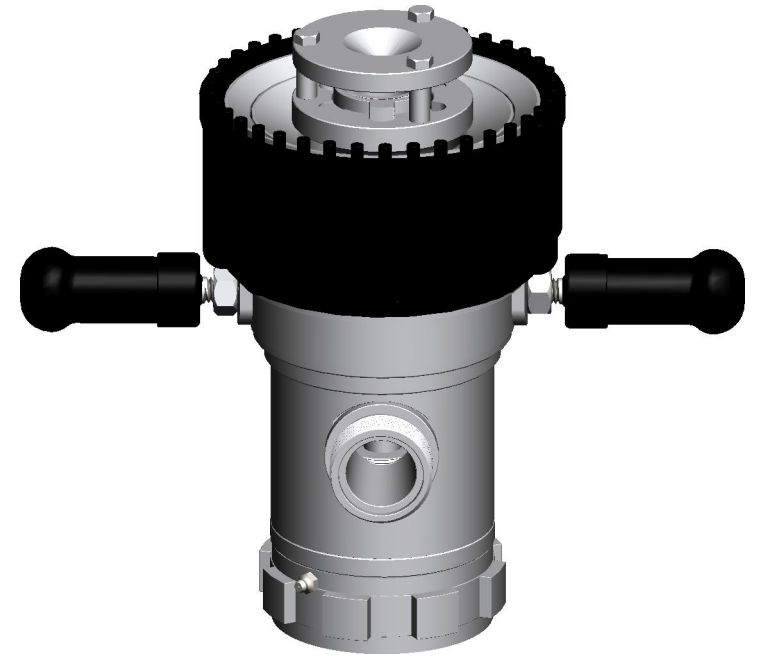
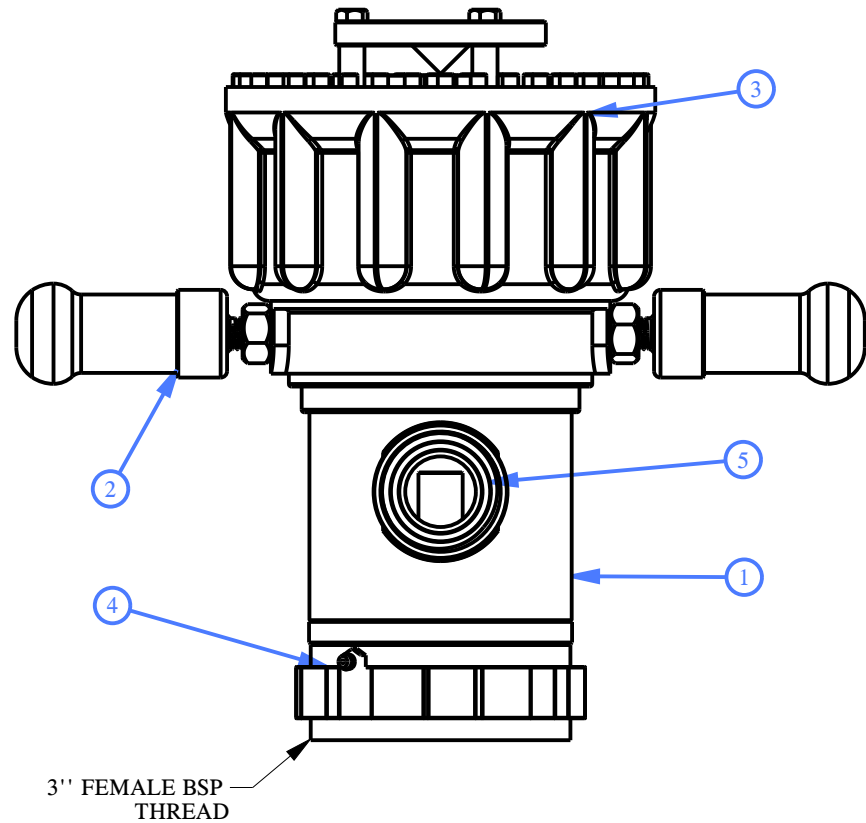
| | | |
|-----|----------------------------|-------------------------|
| 5.1 | Nozzle | Natural finish/Polished |
| 5.2 | Pattern Changeover Handles | Rubber Coated (Natural) |

6.0 APPROVALS & MARKING

| | | |
|-----|-------------------|---|
| 6.1 | Approvals | -- |
| 6.2 | Marking on Nozzle | AAAG/ Year of Manufacture/ Size of Nozzle |

7.0 WARRANTY

| | | |
|-----|----------------------|-----------------------------------|
| 7.1 | Warranty & Guarantee | 12 Months from the date of supply |
|-----|----------------------|-----------------------------------|



NOTES :

01. **PERFORMANCE REQUIREMENTS:**
 2840 LPM Flow At A Pressure Of 7 KG/CM2
 With 60 Mtrs. (Water) And 54 Mtrs. (Foam) Horizontal
 Throw At 30° Trajectory. (In Still Wind Conditions)

| | | |
|-----|----------------------------|------------------------|
| 1 | Nozzle Body | SS 316 IS:3444 Gr.4 |
| 2 | Pattern Changeover Handles | SS 316 (Rubber Coated) |
| 3 | Bumper | Rubber |
| 4 | Washer | Rubber |
| 5 | Pick-Up Tube | PVC |
| NO. | DESCRIPTION | MATERIAL |

PART LIST



Shah Bhogilal Jethalal & Bros.

AHMEDABAD

TITLE :
 Aqua Foam Nozzle, 2840 Lpm Capacity,
 (750 GPM) SS 316, Conventional Design

| SCALE | DRAWING NO: | SHEET | REV. |
|-------|-------------|--------|------|
| N.T.S | SM271-A75BJ | 1 OF 1 | 0 |