

WATER FOAM NOZZLE

SS304, 7575 LPM



Water Foam nozzles are used for projecting secondary aspirated (unaspirated) foam over long distances. Being more dense (expansion ratio 1:3 to 1:4), the unaspirated foam travels further as compared to normal foam, and is useful for tackling large flammable liquid fires, including storage tank fires. It can also be used as water nozzle for cooling/extinguishing.

Brief Description : AAAG Water Foam Nozzle, made of SS304, suitable for 150 mm waterway size monitor. Nozzle shall have nominal foam solution capacity of 7575 lpm (2000 gpm) at 7 kg/cm², give good foam and water jets, and narrow/wide angle spray. It shall have swivel inlet matching to monitor threads and jet/ spray changeover arrangement.

1.0 GENERAL DATA

1.1	Make	AAAG
1.2	Model	WFN 150
1.3	Inlet	Threaded 6" BSP (Female) Swivel Inlet/Flange matching to Monitor
1.4	Outlet	Hollow Jet/Spray Nozzle
1.5	Foam Compound Inlet	Threaded 1.5" BSP (Male)
1.6	Material of Construction	Stainless Steel SS304
1.7	Reference	--

2.0 MATERIAL OF CONSTRUCTION

2.1	Nozzle body	SS304, IS:3444 Gr. I
2.2	Pattern Changeover Handles	SS304, IS:3444 Gr. I (Rubber coated)
2.3	Washer, O Rings	Rubber (Natural)
2.4	Pick-up Tube	PVC Non-collapsible Hose with SS304 Dip Tube

3.0 TESTING AND QUALITY CONTROL

3.1	Dimensional check	See Drawing below
3.2	Documentation	Internal inspection report, supplier's certificates, approved laboratory test certificates

4.0 OPERATIONAL/ TECHNICAL DATA

4.1	Working pressure	5 to 12 Kg/cm ²
4.2	Discharge Pattern	Hollow Jet to Narrow Fog to Wide Fog
4.3	Weight (approx.)	---

5.0 FINISH

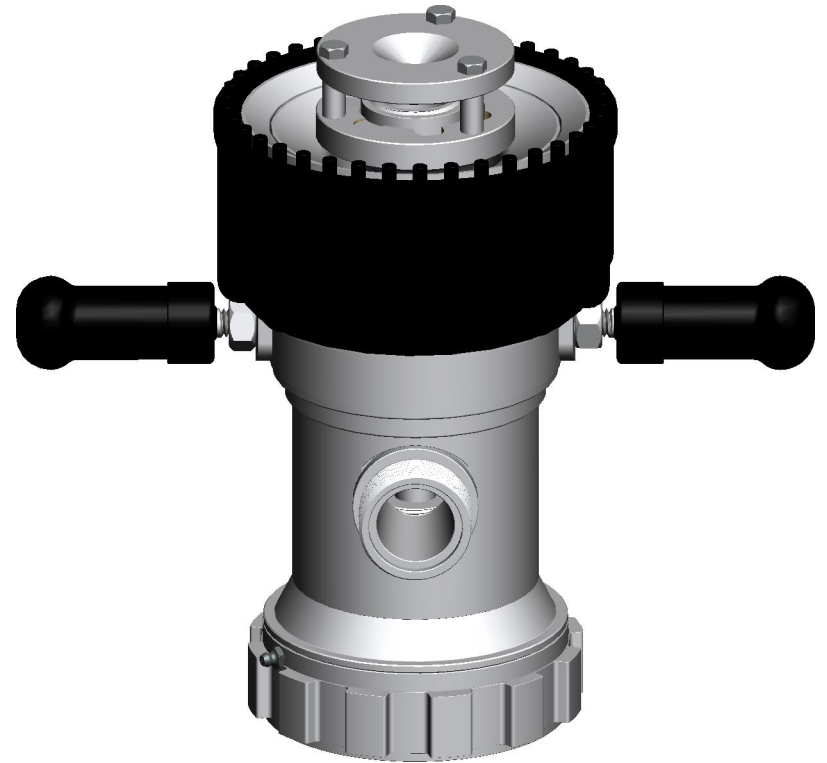
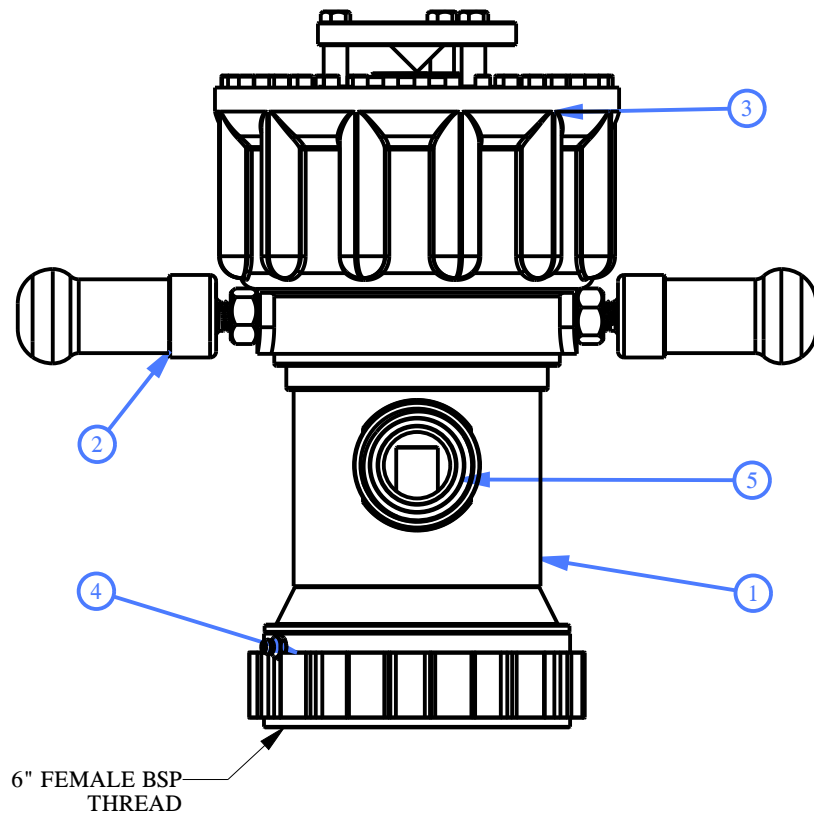
5.1	Nozzle	Natural finish/Polished
5.2	Pattern Changeover Handles	Rubber Coated (Natural)

6.0 APPROVALS & MARKING

6.1	Approvals	--
6.2	Marking on Nozzle	AAAG/ Year of Manufacture/ Size of Nozzle

7.0 WARRANTY

7.1	Warranty & Guarantee	12 Months from the date of supply
-----	----------------------	-----------------------------------



NOTES :

01. PERFORMANCE REQUIREMENTS:
 7575 LPM Flow At A Pressure Of 7 KG/CM2
 With 80 Mtrs. (Water) And 75 Mtrs. (Foam) Horizontal
 Throw At 30° Trajectory. (In Still Wind Conditions)

1	Nozzle Body	SS 304 IS:3444 Gr.1
2	Pattern Changeover Handles	SS 304 (Rubber Coated)
3	Bumper	Rubber
4	Washer	Rubber
5	Pick-Up Tube	PVC
NO.	DESCRIPTION	MATERIAL

PART LIST



Shah Bhogilal Jethalal & Bros.

AHMEDABAD

TITLE :
 Aqua Foam Nozzle, 7575 Lpm Capacity,
 (2000 GPM) SS 304, Conventional Design

SCALE	DRAWING NO:	SHEET	REV.
N.T.S	S271-150BJ	1 OF 1	0