

# WATER FOAM NOZZLE

ALUMINIUM, 3800 LPM



Water Foam nozzles are used for projecting secondary aspirated (unaspirated) foam over long distances. Being more dense (expansion ratio 1:3 to 1:4), the unaspirated foam travels further as compared to normal foam, and is useful for tackling large flammable liquid fires, including storage tank fires. It can also be used as water nozzle for cooling/extinguishing.

**Brief Description :** AAAG Water Foam Nozzle, made of Aluminium, suitable for 100 mm waterway size monitor. Nozzle shall have nominal foam solution capacity of 3800 lpm (1000 gpm) at 7 kg/cm<sup>2</sup>, give good foam and water jets, and narrow/wide angle spray. It shall have swivel inlet matching to monitor threads, jet/ spray changeover arrangement, and rubber bumper.

## 1.0 GENERAL DATA

|     |                          |                                       |
|-----|--------------------------|---------------------------------------|
| 1.1 | Make                     | AAAG                                  |
| 1.2 | Model                    | WFN 100                               |
| 1.3 | Inlet                    | Threaded 4" BSP (Female) Swivel Inlet |
| 1.4 | Outlet                   | Hollow Jet/Spray Nozzle               |
| 1.5 | Foam Compound Inlet      | Threaded 1.5" BSP (Male)              |
| 1.6 | Material of Construction | Aluminium                             |
| 1.7 | Reference                | --                                    |

## 2.0 MATERIAL OF CONSTRUCTION

|     |                            |  |
|-----|----------------------------|--|
| 2.1 | Nozzle body                | Aluminium, 4450 IS:617                       |
| 2.2 | Pattern Changeover Handles | SS304, IS:3444 Gr. I (Rubber coated)         |
| 2.3 | Bumper                     | Rubber (Natural)                             |
| 2.4 | Washer, O Rings            | Rubber (Natural)                             |
| 2.5 | Pick-up Tube               | PVC Non-collapsible Hose with SS304 Dip Tube |

## 3.0 TESTING AND QUALITY CONTROL

|     |                   |  |
|-----|-------------------|--|
| 3.1 | Dimensional check | See Drawing below  |
| 3.2 | Documentation     | Internal inspection report, supplier's certificates, approved laboratory test certificates |

## 4.0 OPERATIONAL/ TECHNICAL DATA

|     |                   |                                      |
|-----|-------------------|--------------------------------------|
| 4.1 | Working pressure  | 5 to 12 Kg/cm <sup>2</sup>           |
| 4.2 | Discharge Pattern | Hollow Jet to Narrow Fog to Wide Fog |
| 4.3 | Weight (approx.)  | ---                                  |

## 5.0 FINISH

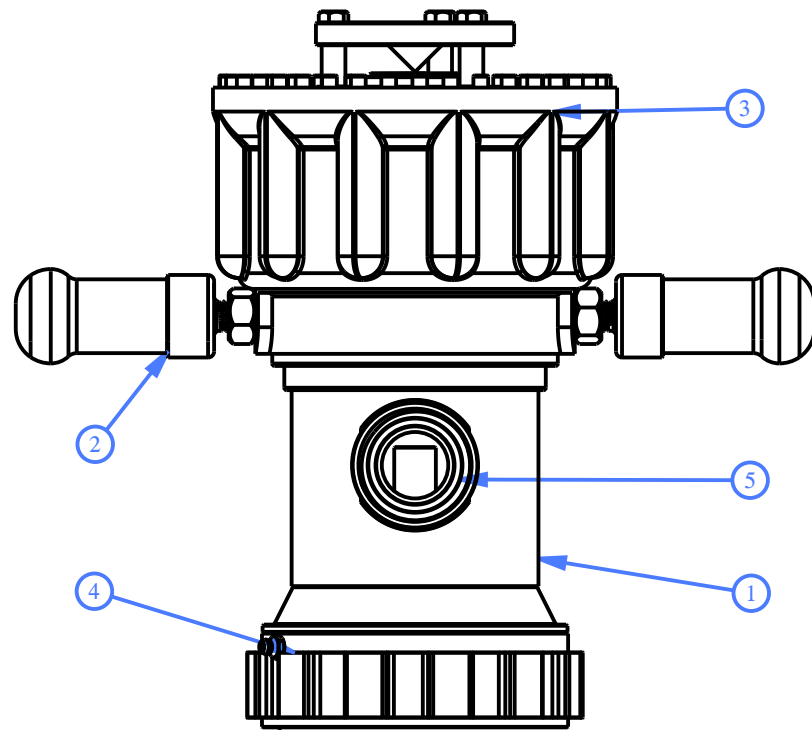
|     |                            |                         |
|-----|----------------------------|-------------------------|
| 5.1 | Nozzle                     | Natural finish/Anodized |
| 5.2 | Pattern Changeover Handles | Rubber Coated (Natural) |

## 6.0 APPROVALS & MARKING

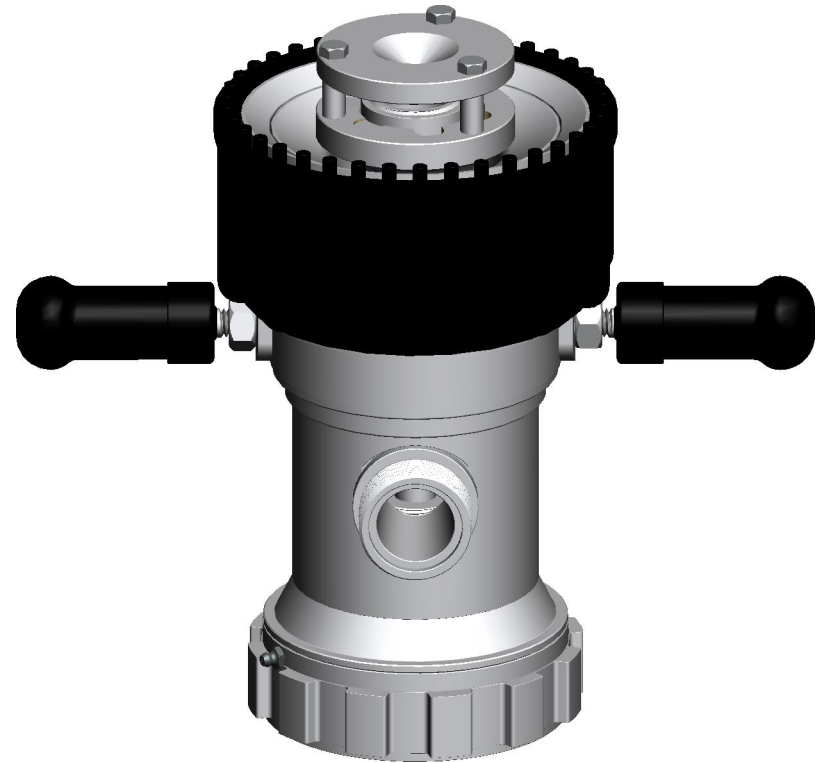
|     |                   |   |
|-----|-------------------|---|
| 6.1 | Approvals         | --  |
| 6.2 | Marking on Nozzle | AAAG/ Year of Manufacture/ Size of Nozzle |

## 7.0 WARRANTY

|     |                      |                                   |
|-----|----------------------|-----------------------------------|
| 7.1 | Warranty & Guarantee | 12 Months from the date of supply |
|-----|----------------------|-----------------------------------|



4" FEMALE BSP  
THREAD



**NOTES :**

01. PERFORMANCE REQUIREMENTS:  
 3800 LPM Flow At A Pressure Of 7 KG/CM2  
 With 70 Mtrs. (Water) And 61 Mtrs. (Foam) Horizontal  
 Throw At 30° Trajectory. (In Still Wind Conditions)

|     |                            |                        |
|-----|----------------------------|------------------------|
| 1   | Nozzle Body                | Aluminium IS:617       |
| 2   | Pattern Changeover Handles | SS 304 (Rubber Coated) |
| 3   | Bumper                     | Rubber                 |
| 4   | Washer                     | Rubber                 |
| 5   | Pick-Up Tube               | PVC                    |
| NO. | DESCRIPTION                | MATERIAL               |

**PART LIST**



**Shah Bhogilal Jethalal & Bros.**

AHMEDABAD

**TITLE :**  
 Aqua Foam Nozzle, 3800 Lpm Capacity,  
 (1000 GPM) Aluminium, Conventional Design

| SCALE | DRAWING NO: | SHEET  | REV. |
|-------|-------------|--------|------|
| N.T.S | A271-100BJ  | 1 OF 1 | 0    |