

WATER FOAM NOZZLE

ALUMINIUM, 2840 LPM



Water Foam nozzles are used for projecting secondary aspirated (unaspirated) foam over long distances. Being more dense (expansion ratio 1:3 to 1:4), the unaspirated foam travels further as compared to normal foam, and is useful for tackling large flammable liquid fires, including storage tank fires. It can also be used as water nozzle for cooling/extinguishing.

Brief Description : AAAG Water Foam Nozzle, made of Aluminium, suitable for 75 mm waterway size monitor. Nozzle shall have nominal foam solution capacity of 2840 lpm (750 gpm) at 7 kg/cm², give good foam and water jets, and narrow/wide angle spray. It shall have swivel inlet matching to monitor threads, jet/ spray changeover arrangement, and rubber bumper.

1.0 GENERAL DATA

1.1	Make	AAAG
1.2	Model	WFN 75
1.3	Inlet	Threaded 3" BSP (Female) Swivel Inlet
1.4	Outlet	Hollow Jet/Spray Nozzle
1.5	Foam Compound Inlet	Threaded 1.5" BSP (Male)
1.6	Material of Construction	Aluminium
1.7	Reference	--

2.0 MATERIAL OF CONSTRUCTION

2.1	Nozzle body	Aluminium, 4450 IS:617
2.2	Pattern Changeover Handles	SS304, IS:3444 Gr. I (Rubber coated)
2.3	Bumper	Rubber (Natural)
2.4	Washer, O Rings	Rubber (Natural)
2.5	Pick-up Tube	PVC Non-collapsible Hose with SS304 Dip Tube

3.0 TESTING AND QUALITY CONTROL

3.1	Dimensional check	See Drawing below
3.2	Documentation	Internal inspection report, supplier's certificates, approved laboratory test certificates

4.0 OPERATIONAL/ TECHNICAL DATA

4.1	Working pressure	5 to 12 Kg/cm ²
4.2	Discharge Pattern	Hollow Jet to Narrow Fog to Wide Fog
4.3	Weight (approx.)	---

5.0 FINISH

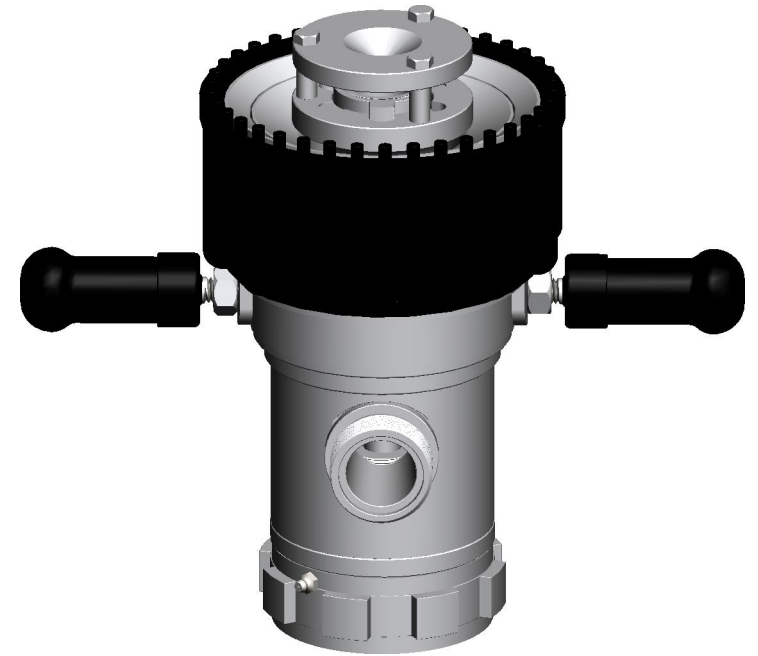
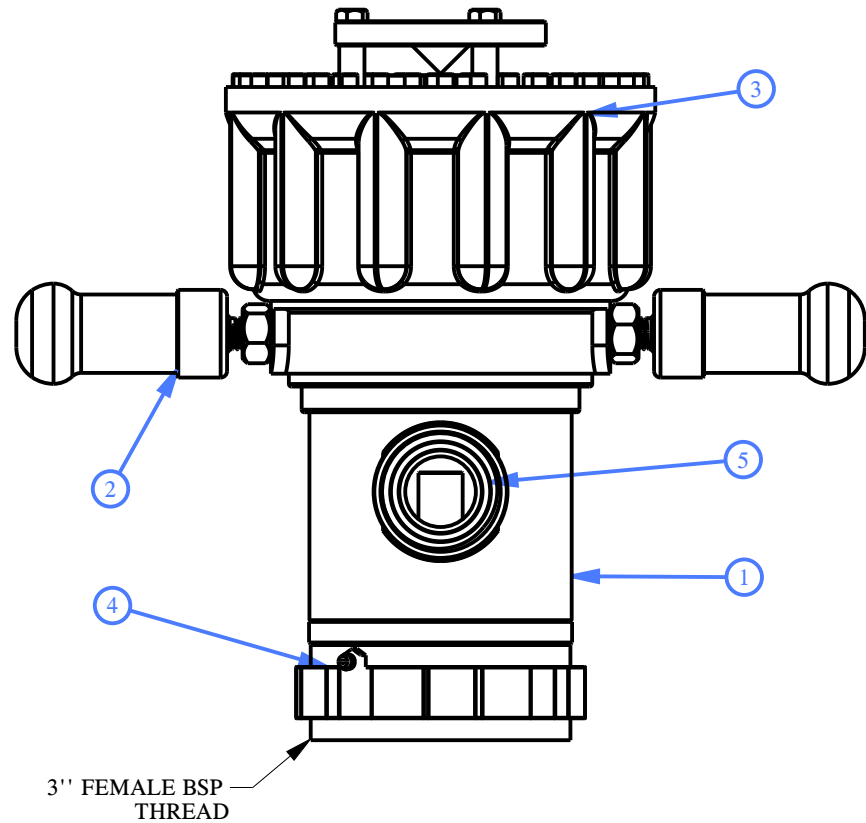
5.1	Nozzle	Natural finish/Anodized
5.2	Pattern Changeover Handles	Rubber Coated (Natural)

6.0 APPROVALS & MARKING

6.1	Approvals	--
6.2	Marking on Nozzle	AAAG/ Year of Manufacture/ Size of Nozzle

7.0 WARRANTY

7.1	Warranty & Guarantee	12 Months from the date of supply
-----	----------------------	-----------------------------------



NOTES :

01. **PERFORMANCE REQUIREMENTS:**
 2840 LPM Flow At A Pressure Of 7 KG/CM2
 With 60 Mtrs. (Water) And 54 Mtrs. (Foam) Horizontal
 Throw At 30° Trajectory. (In Still Wind Conditions)

1	Nozzle Body	Aluminium IS:617
2	Pattern Changeover Handles	SS 304 (Rubber Coated)
3	Bumper	Rubber
4	Washer	Rubber
5	Pick-Up Tube	PVC
NO.	DESCRIPTION	MATERIAL
PART LIST		



Shah Bhogilal Jethalal & Bros.

AHMEDABAD

TITLE :
 Aqua Foam Nozzle, 2840 Lpm Capacity,
 (750 GPM) Gunmetal, Conventional Design

SCALE	DRAWING NO:	SHEET	REV.
N. T. S	A271-A75BJ	1 OF 1	0