

SUPER STREAM NOZZLE

SS316, 2580 LPM



Master Stream nozzles produce superior, long reaching streams in the jet mode, when used with water or foam solution. Discharge adjustable from jet to wide fog, it can be used for cooling and vapour dispersion in the narrow fog pattern, and radiant heat protection in the wide fog pattern. Can be fitted on fixed monitors, trailers, vehicles, etc.

Brief Description : AAAG Super Stream Nozzle, made of Stainless Steel (SS316), suitable for 75 mm waterway size monitor. Nozzle shall have nominal flow of 2580 lpm, at 7 kg/cm², and shall give superior range jet as well as narrow and wide angle spray. It shall have swivel inlet matching to monitor threads, jet/spray changeover arrangement, and rubber bumper.

1.0 GENERAL DATA

| | | |
|-----|--------------------------|---------------------------------------|
| 1.1 | Make | AAAG |
| 1.2 | Model | SSN 75 |
| 1.3 | Inlet | Threaded 3" BSP (Female) Swivel Inlet |
| 1.4 | Outlet | Hollow Jet/Spray Nozzle |
| 1.5 | Material of Construction | Stainless Steel (SS316) |
| 1.6 | Reference | -- |

2.0 MATERIAL OF CONSTRUCTION

| | | |
|-----|-------------------------|----------------------------|
| 2.1 | Nozzle body | SS316, IS:3444 Gr. IV |
| 2.2 | Pattern Changeover Ring | Aluminium, Gr. 4450 IS:617 |
| 2.3 | Stream shaper | SS316, IS:3444 Gr. IV |
| 2.4 | Bumper | Rubber (Natural) |
| 2.5 | Washer, O Rings | Rubber (Natural) |

3.0 TESTING AND QUALITY CONTROL

| | | |
|-----|-------------------|--|
| 3.1 | Dimensional check | See Drawing below |
| 3.2 | Documentation | Internal inspection report, supplier's certificates, approved laboratory test certificates |

4.0 OPERATIONAL/ TECHNICAL DATA

| | | |
|-----|-------------------|--------------------------------------|
| 4.1 | Working pressure | 5 to 12 Kgf/cm ² |
| 4.2 | Discharge Pattern | Hollow Jet to Narrow Fog to Wide Fog |
| 4.3 | Weight (approx.) | --- |

5.0 FINISH

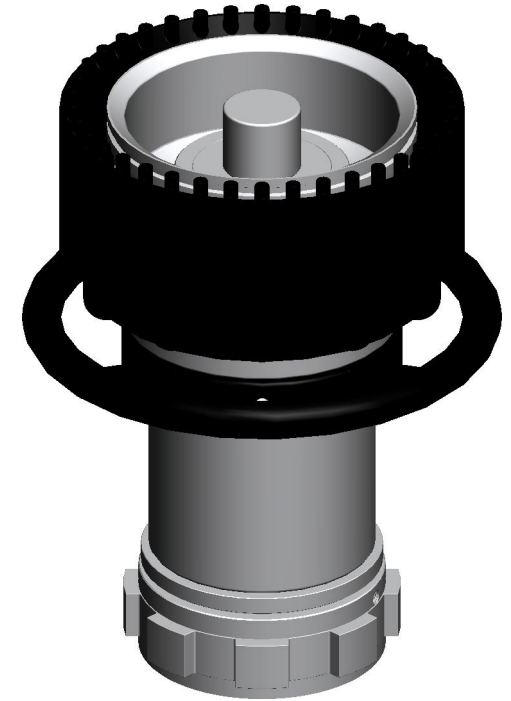
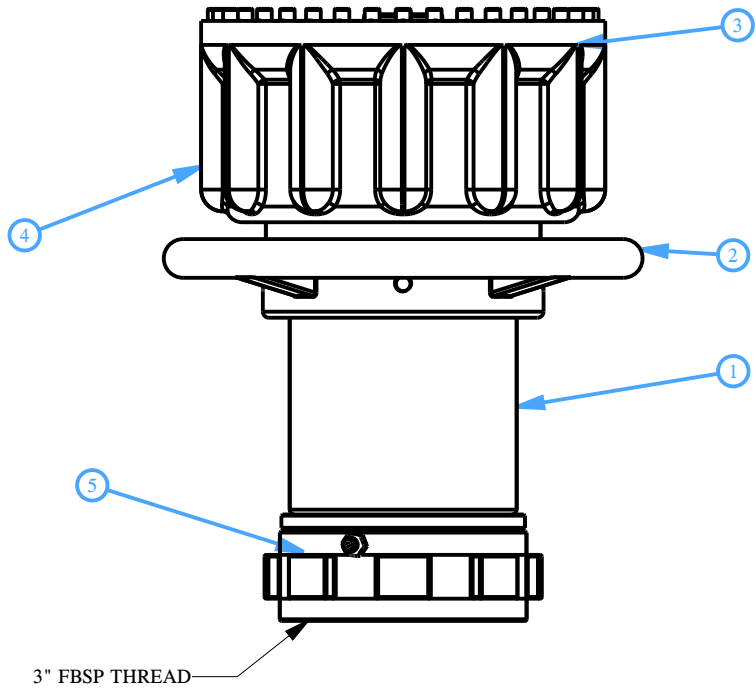
| | | |
|-----|-----------------|-------------------------|
| 5.1 | Nozzle | Natural finish/Polished |
| 5.2 | Changeover Ring | Anodized (Grey/Black) |

6.0 APPROVALS & MARKING

| | | |
|-----|-------------------|---|
| 6.1 | Approvals | -- |
| 6.2 | Marking on Nozzle | AAAG/ Year of Manufacture/ Size of Nozzle |

7.0 WARRANTY

| | | |
|-----|----------------------|-----------------------------------|
| 7.1 | Warranty & Guarantee | 12 Months from the date of supply |
|-----|----------------------|-----------------------------------|



NOTES :

01. PERFORMANCE TEST : DISCHARGE CAPACITY :
 2580 LPM @ 7KGF/CM2
 64 Mtrs. Horizontal Throw Water At 30° Trajectory In Still Wind Condition.

| | | |
|------------------|-------------------------|---------------------|
| 1 | Nozzle Body | SS 316 IS:3444 Gr.4 |
| 2 | Pattern Changeover Ring | Aluminium IS:617 |
| 3 | Stream Shaper | SS 316 IS:3444 Gr.4 |
| 4 | Bumper | Rubber (Natural) |
| 5 | Washer | Rubber (Natural) |
| NO. | DESCRIPTION | MATERIAL |
| PART LIST | | |



Shah Bhogilal Jethalal & Bros.

AHMEDABAD

TITLE : Master Stream Nozzle, 2580 Lpm Capacity,
 SS 316, Conventional Design

| | | | |
|-------|-------------|--------|------|
| SCALE | DRAWING NO: | SHEET | REV. |
| N.T.S | SM119B-75BJ | 1 OF 1 | 0 |