

SUPER STREAM NOZZLE

ALUMINIUM, 1750 LPM



Master Stream nozzles produce superior, long reaching streams in the jet mode, when used with water or foam solution. Discharge adjustable from jet to wide fog, it can be used for cooling and vapour dispersion in the narrow fog pattern, and radiant heat protection in the wide fog pattern. Can be fitted on fixed monitors, trailers, vehicles, etc.

Brief Description : AAAG Super Stream Nozzle, made of Aluminium, suitable for 63 mm waterway size monitor. Nozzle shall have nominal flow of 1750 lpm, at 7 kg/cm², and give superior range jet as well as narrow and wide angle spray. It shall have swivel inlet matching to monitor threads, jet/ spray changeover arrangement, and rubber bumper.

1.0 GENERAL DATA

1.1	Make	AAAG
1.2	Model	SSN 63
1.3	Inlet	Threaded 2.5" BSP (Female) Swivel Inlet
1.4	Outlet	Hollow Jet/Spray Nozzle
1.5	Material of Construction	Aluminium
1.6	Reference	--

2.0 MATERIAL OF CONSTRUCTION

2.1	Nozzle body	Aluminium, Grade 4450 IS:617
2.2	Pattern Changeover Ring	Aluminium, Grade 4450 IS:617
2.3	Stream shaper	SS304, IS:3444 Gr. I
2.4	Bumper	Rubber (Natural)
2.5	Washer, O Rings	Rubber (Natural)

3.0 TESTING AND QUALITY CONTROL

3.1	Dimensional check	See Drawing below
3.2	Hydrostatic Pressure Test	21 kgf/cm ² for 2.5 minutes
3.3	Documentation	Internal inspection report, supplier's certificates, approved laboratory test certificates

4.0 OPERATIONAL/ TECHNICAL DATA

4.1	Working pressure	5 to 12 Kgf/cm ²
4.2	Discharge Pattern	Hollow Jet to Narrow Fog to Wide Fog
4.3	Weight (approx.)	---

5.0 FINISH

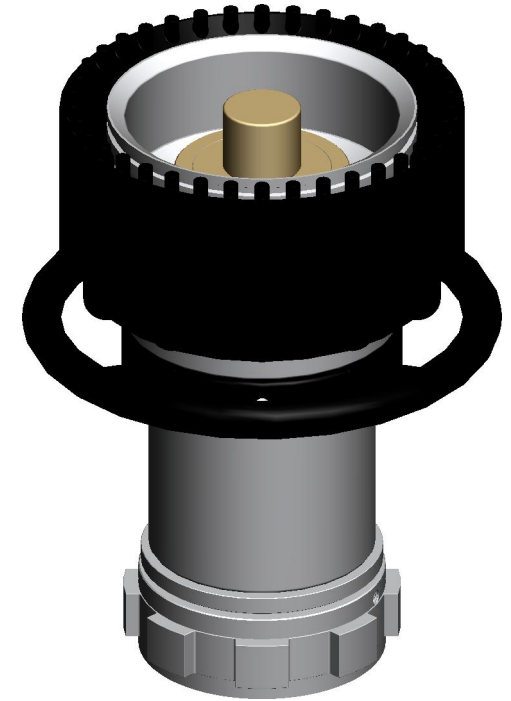
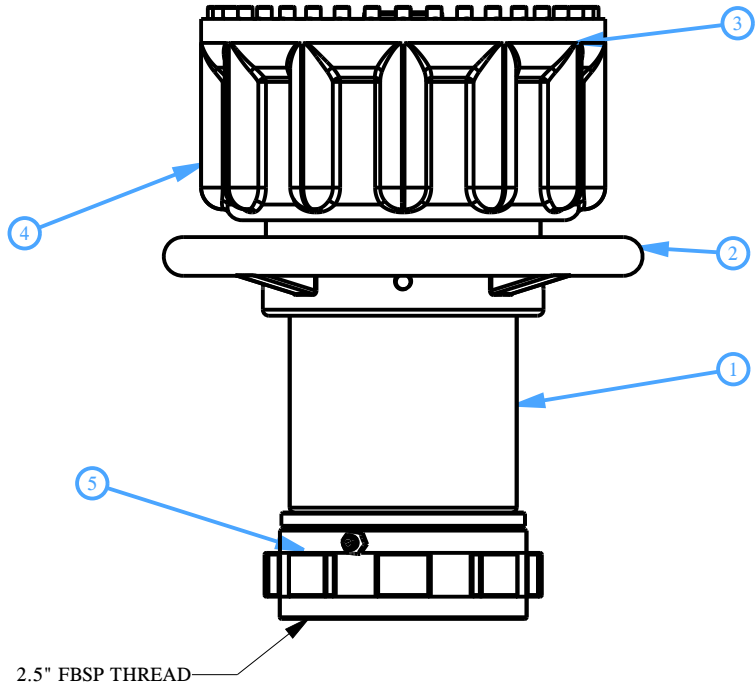
5.1	Nozzle	Hard Anodized (Grey Colour)
5.2	Changeover Ring	Anodized (Grey/Black)

6.0 APPROVALS & MARKING

6.1	Approvals	--
6.2	Marking on Nozzle	AAAG/ Year of Manufacture/ Nozzle Flow

7.0 WARRANTY

7.1	Warranty & Guarantee	12 Months from the date of supply
-----	----------------------	-----------------------------------



NOTES :

- 01. PERFORMANCE TEST : DISCHARGE CAPACITY :
 1750 LPM @ 7KGF/CM2
 56 Mtrs. Horizontal Throw Water At 30° Trajectory In Still Wind Condition.

1	Nozzle Body	Aluminium IS:617
2	Pattern Changeover Ring	Aluminium IS:617
3	Stream Shaper	SS 304, IS:3444 Gr.1
4	Bumper	Rubber (Natural)
5	Washer	Rubber (Natural)
NO.	DESCRIPTION	MATERIAL
PART LIST		



Shah Bhogilal Jethalal & Bros.

AHMEDABAD

TITLE : Master Stream Nozzle, 1750 Lpm Capacity,
Aluminium, Conventional Design

SCALE	DRAWING NO:	SHEET	REV.
N.T.S	A119B-63BJ	1 OF 1	0