

# SUPER STREAM NOZZLE

GUNMETAL, 7575 LPM



Master Stream nozzles produce superior, long reaching streams in the jet mode, when used with water or foam solution. Discharge adjustable from jet to wide fog, it can be used for cooling and vapour dispersion in the narrow fog pattern, and radiant heat protection in the wide fog pattern. Can be fitted on fixed monitors, trailers, vehicles, etc.

**Brief Description :** AAAG Super Stream Nozzle, made of Gunmetal, suitable for 63 mm waterway size monitor. Nozzle shall have nominal flow of 7575 lpm, at 7 kg/cm<sup>2</sup>, and give superior range jet as well as narrow and wide angle spray. It shall have swivel inlet matching to monitor threads, jet/ spray changeover arrangement, and rubber bumper. .

## 1.0 GENERAL DATA

|     |                          |   |
|-----|--------------------------|---|
| 1.1 | Make                     | AAAG  |
| 1.2 | Model                    | SSN 150   |
| 1.3 | Inlet                    | Threaded 6" BSP (Female)/Flanged to suit Monitor flange |
| 1.4 | Outlet                   | Hollow Jet/Spray Nozzle                                 |
| 1.5 | Material of Construction | Gunmetal  |
| 1.6 | Reference                | --  |

## 2.0 MATERIAL OF CONSTRUCTION

|     |                         |                              |
|-----|-------------------------|------------------------------|
| 2.1 | Nozzle body             | Gunmetal, IS:318 LTB-2       |
| 2.2 | Pattern Changeover Ring | Aluminium, Grade 4450 IS:617 |
| 2.3 | Stream shaper           | SS304, IS:3444 Gr. I         |
| 2.4 | Bumper                  | Rubber (Natural)             |
| 2.5 | Washer, O Rings         | Rubber (Natural)             |

## 3.0 TESTING AND QUALITY CONTROL

|     |                   |  |
|-----|-------------------|--|
| 3.1 | Dimensional check | See Drawing below  |
| 3.2 | Documentation     | Internal inspection report, supplier's certificates, approved laboratory test certificates |

## 4.0 OPERATIONAL/ TECHNICAL DATA

|     |                   |                                      |
|-----|-------------------|--------------------------------------|
| 4.1 | Working pressure  | 5 to 12 Kg/cm <sup>2</sup>           |
| 4.2 | Discharge Pattern | Hollow Jet to Narrow Fog to Wide Fog |
| 4.3 | Weight (approx.)  | ---                                  |

## 5.0 FINISH

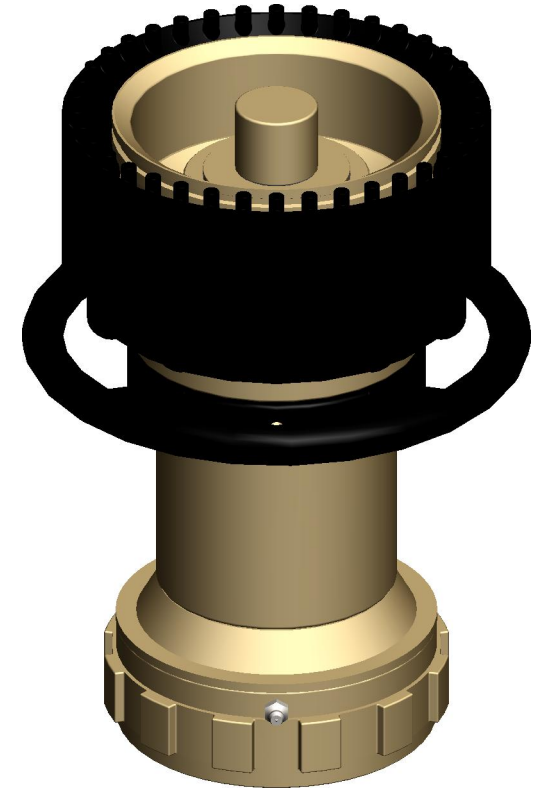
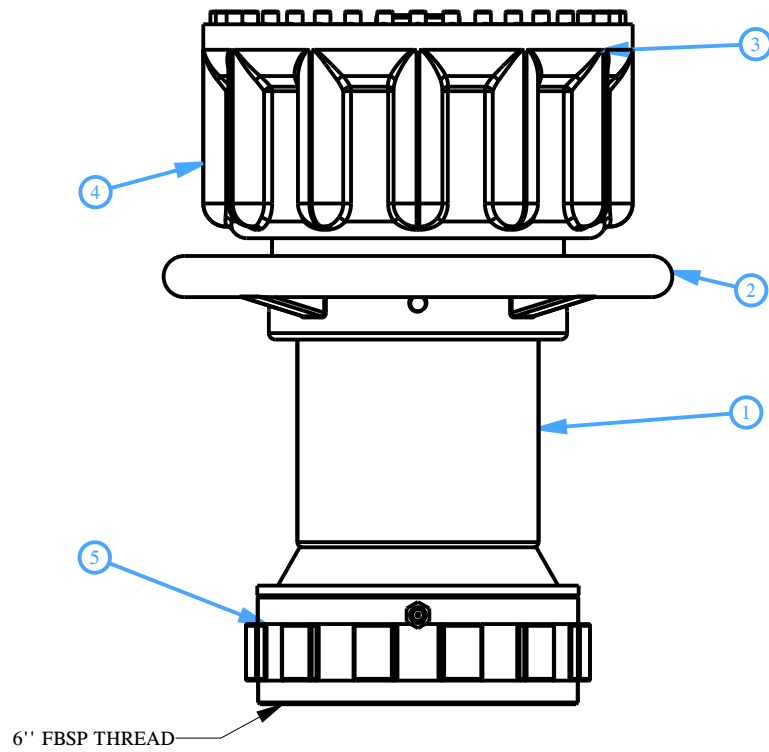
|     |                 |                         |
|-----|-----------------|-------------------------|
| 5.1 | Nozzle          | Natural finish/Polished |
| 5.2 | Changeover Ring | Anodized (Grey/Black)   |

## 6.0 APPROVALS & MARKING

|     |                   |   |
|-----|-------------------|---|
| 6.1 | Approvals         | --  |
| 6.2 | Marking on Nozzle | AAAG/ Year of Manufacture/ Size of Nozzle |

## 7.0 WARRANTY

|     |                      |                                   |
|-----|----------------------|-----------------------------------|
| 7.1 | Warranty & Guarantee | 12 Months from the date of supply |
|-----|----------------------|-----------------------------------|



**NOTES :**

01. PERFORMANCE TEST : DISCHARGE CAPACITY :  
 7575 LPM @ 7KGF/CM2  
 92 Mtrs. Horizontal Throw Water At 30° Trajectory In Still Wind Condition.

|                  |                         |                      |
|------------------|-------------------------|----------------------|
| 1                | Nozzle Body             | GM IS:318 LTB-2      |
| 2                | Pattern Changeover Ring | Aluminium IS:617     |
| 3                | Stream Shaper           | SS 304, IS:3444 Gr.1 |
| 4                | Bumper                  | Rubber (Natural)     |
| 5                | Washer                  | Rubber (Natural)     |
| NO.              | DESCRIPTION             | MATERIAL             |
| <b>PART LIST</b> |                         |                      |



**Shah Bhogilal Jethalal & Bros.**

AHMEDABAD

**TITLE :** Master Stream Nozzle, 7575 Lpm Capacity,  
 Gunmetal, Conventional Design

| SCALE | DRAWING NO: | SHEET  | REV. |
|-------|-------------|--------|------|
| N.T.S | G119B-150BJ | 1 OF 1 | 0    |