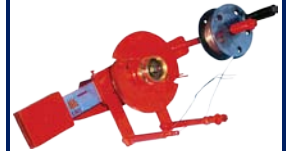


HOSE BINDING MACHINE (MANUAL)

CARBON STEEL, AS PER IS:3744



Hose Binding machine is used to Firefighting hoses to the shanks of Couplings, using Copper/ G.I. wire. It's simple rugged design ensures long and trouble free operation, and it can be easily operated by a single person, with minimal training. Different sizes of couplings can be bound using the adaptors provided.

Brief Description : AAAG Hose Binding Machine, as per IS:3744, made of Carbon Steel and C.I. graded material. The machine shall be suitable for binding firefighting hose on hose coupling shanks using Copper or G.I. wire. Male and Female adaptors of different types and sizes, for binding of hoses can be supplied alongwith the machine (optional).

1.0 GENERAL DATA

1.1	Make	AAAG
1.2	Model	MHB
1.3	Material of Construction	Carbon Steel
1.4	Reference	IS:3744-1985

2.0 MATERIAL OF CONSTRUCTION

2.1	Mounting Bracket	C.I. IS:210-1978
2.2	Circular Plate	C.I. IS:2062
2.3	Threaded Spindle	C.I. IS:2062
2.4	Rods	C.I. IS:2062
2.5	Wire Spool	Brass / C.I. IS:304-1981/IS:2062
2.6	Binding adaptors	Gunmetal IS:318 LTB 2/ SS 304/ SS316

3.0 TESTING AND QUALITY CONTROL

3.1	Dimensional check	See drawing below
3.2	Documentation	Internal inspection report, supplier's certificates, approved laboratory test certificates

4.0 OPERATIONAL/ TECHNICAL DATA

4.1	Mounting	On suitably heavy work table, and at specific height
4.2	Weight (approx.)	16.0 kgs. (approx)

5.0 FINISH

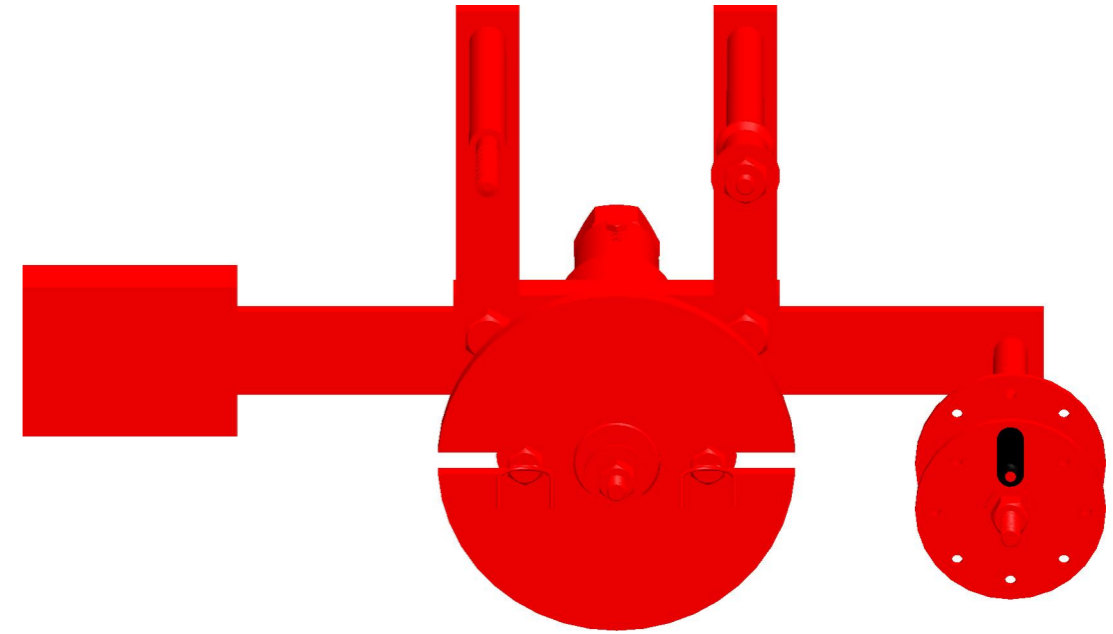
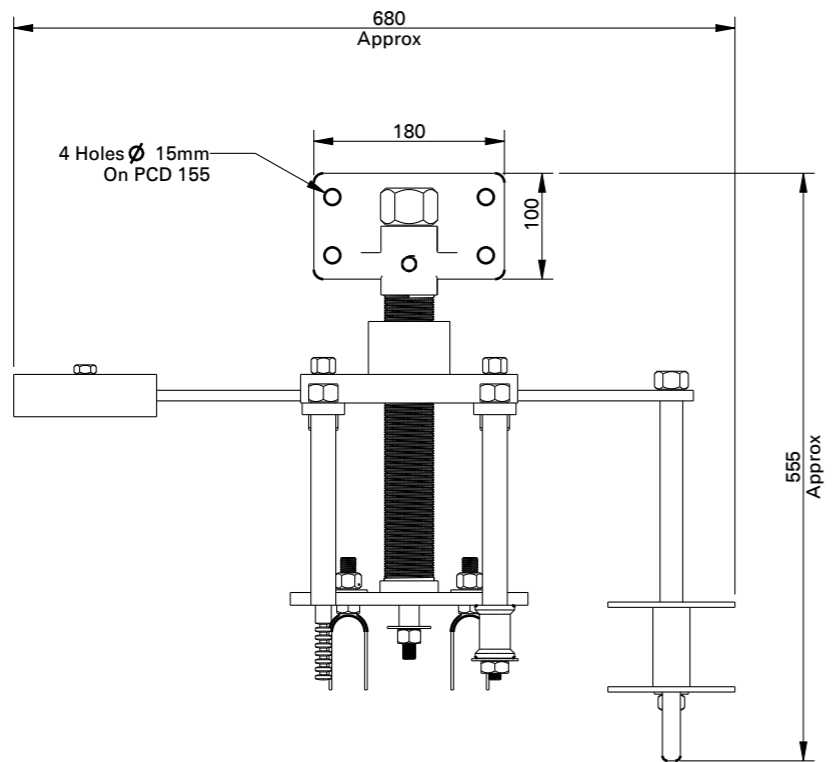
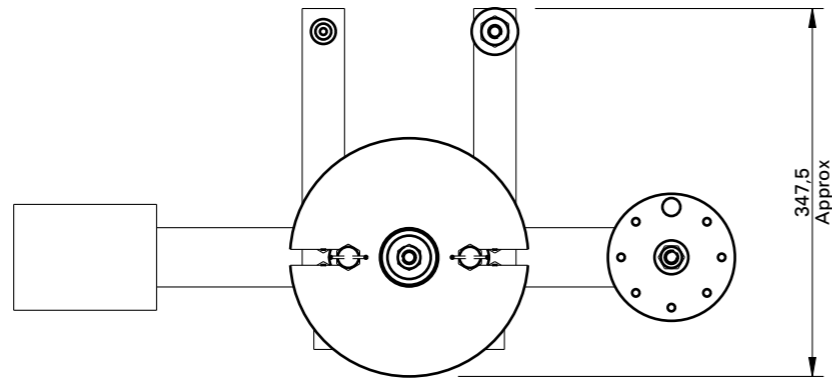
5.1	Hose Binding Machine	Painted (Red colour)
5.2	Wire Spool	Chromium plated

6.0 APPROVALS & MARKING

6.1	Approvals	--
6.2	Marking	AAAG/ Year of Mfg./SI No

7.0 WARRANTY

7.1	Warranty & Guarantee	12 Months from the date of supply
-----	----------------------	-----------------------------------



Shah Bhogilal Jethalal & Bros.

AHMEDABAD

TITLE :

Hose Blinding Machine, Carbon Steel Components,
Conventional Design

SCALE

DRAWING NO:

SHEET

REV.

N.T.S

M215-00BJ

1 OF 1

0