

HOSE WASHING MACHINE

ALUMINIUM



Hose Washing Machine provides a simple and effective means for washing hoses externally. The equipment has a Male instantaneous inlet which can be connected to a 2.5" delivery hose. It works on normal hydrant pressure only, and allows the washing of hoses upto 3" diameter externally.

Brief Description : AAAG Hose Washing Machine, made of Aluminium alloy, having Gunmetal Instantaneous Male inlet. It shall have lifting handle as well as arrangements for mounting the machine at a fixed location, if required. The machine will generate spherical, directional jets for washing hoses (upto 3" diameter)r externally.

1.0 GENERAL DATA

1.1	Make	AAAG
1.2	Model	HWM 150
1.3	Size	150 mm
1.4	Material of Construction	Aluminium
1.5	Reference	--

2.0 MATERIAL OF CONSTRUCTION

2.1	Body	Aluminium 4450 IS:617
2.2	Handle	Aluminium 4450 IS:617
2.3	Male Instantaneous Inlet	Gunmetal IS:318 LTB 2

3.0 TESTING AND QUALITY CONTROL

3.1	Dimensional check	See drawing below
3.2	Documentation	Internal inspection report, supplier's certificates, approved laboratory test certificates

4.0 OPERATIONAL/ TECHNICAL DATA

4.1	Operating Pressure	2 to 3 kgf/cm ²
4.3	Weight (approx.)	8.0 Kgs. (approx)

5.0 FINISH

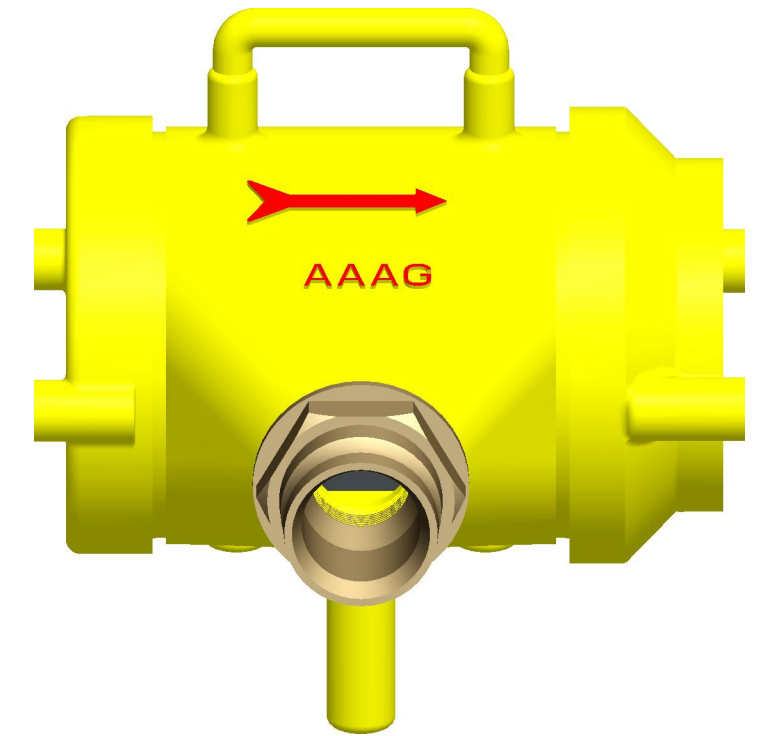
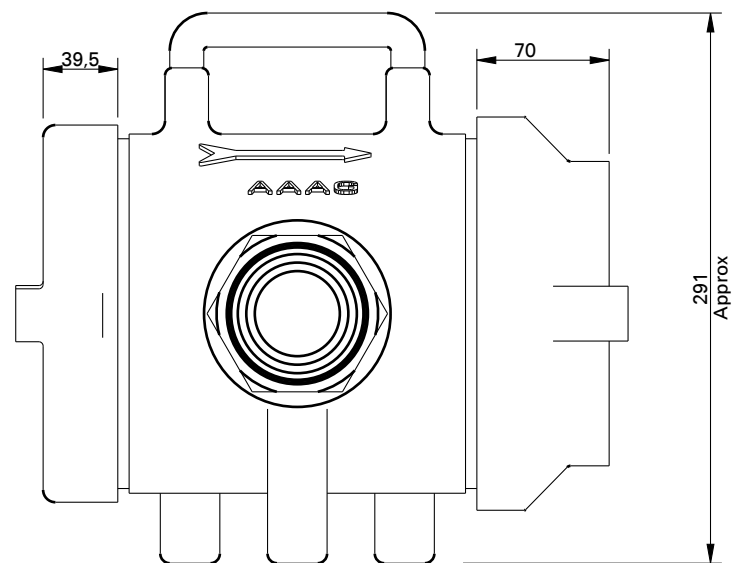
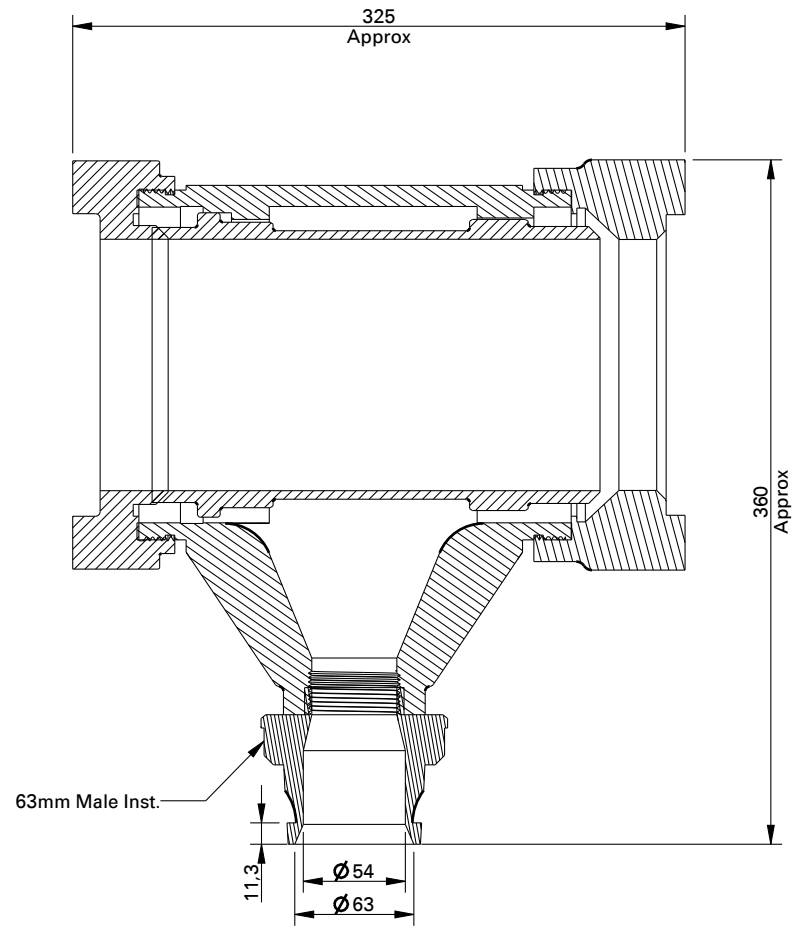
5.1	Hose Washing Machine	Superior Painted Yellow color (2 coats)
5.2	Male Inlet	Polished


6.0 APPROVALS & MARKING

6.1	Approvals	--
6.2	Marking	AAAG/ Year of Mfg./SI No

7.0 WARRANTY

7.1	Warranty & Guarantee	12 Months from the date of supply
-----	----------------------	-----------------------------------



		<h2>Shah Bhogilal Jethalal & Bros.</h2> <p>AHMEDABAD</p>	
TITLE :		Hose Washing Machine, Aluminium, Conventional Design	
SCALE	DRAWING NO:	SHEET	REV.
N.T.S	A212-63BJ	1 OF 1	0