

COLLECTING BREECH (2 WAY)

ALUMINIUM, 63 mm, AS PER IS:905



Collecting Breech are used in fire fighting operations to merge two firefighting hose lines into a single line. It has two Instantaneous Male Inlets and a Single Female Outlet.

Brief Description : AAAG Collecting Breech (2 Way), as per IS:905, made of Aluminium, having One No. 63 mm size Female Instantaneous Outlet, and Two No. 63 mm size Male Instantaneous inlets, suitable for use with 63 mm Fire fighting delivery Hose couplings.

1.0 GENERAL DATA

1.1	Make	AAAG
1.2	Size	63mm
1.3	Inlet	2 Nos Male Instantaneous Adaptor (63 mm)
1.4	Outlet	1 No Female Instantaneous Adaptor (63 mm)
1.5	Material of Construction	Aluminium
1.6	Reference	IS:905

2.0 MATERIAL OF CONSTRUCTION

2.1	Body	Aluminium, 4450 IS:617
2.2	Male/Female Coupling	Aluminium, 4450 IS:617
2.3	Lugs	Aluminium, 4450 IS:617
2.4	Washer	Rubber

3.0 TESTING AND QUALITY CONTROL

3.1	Dimensional check	See drawing below
3.2	Hydrostatic Pressure Test	21 kgf/cm ² for 2.5 minutes
3.3	Documentation	Internal inspection report, supplier's certificates, approved laboratory test certificates

4.0 OPERATIONAL/ TECHNICAL DATA

4.1	Working Pressure Range	Upto 12 Kg/cm ²
4.2	Weight (approx.)	1.8 Kgs. (approx)

5.0 FINISH

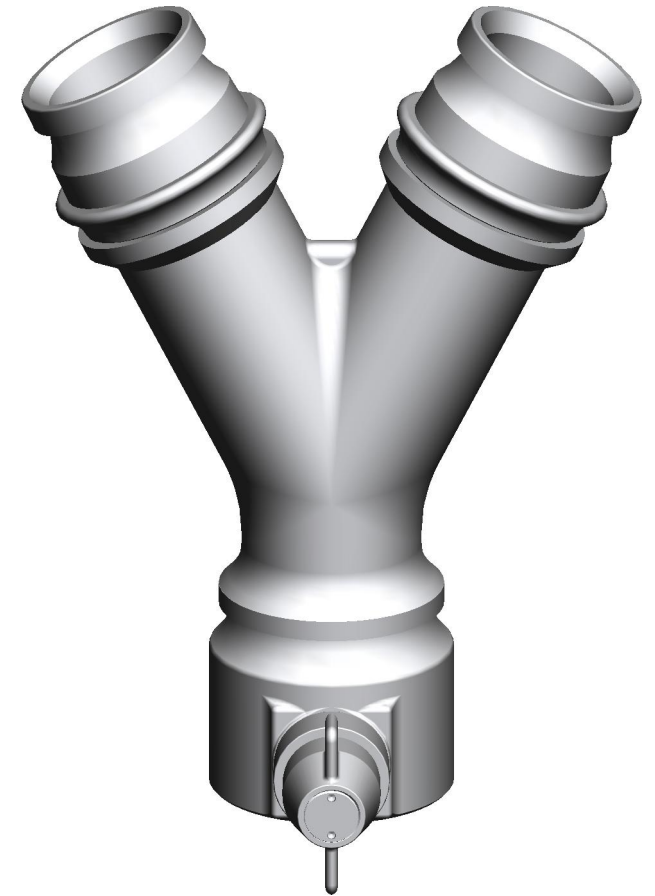
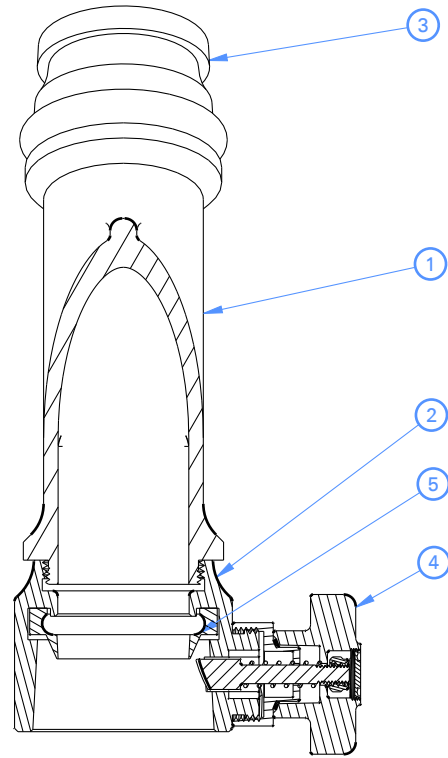
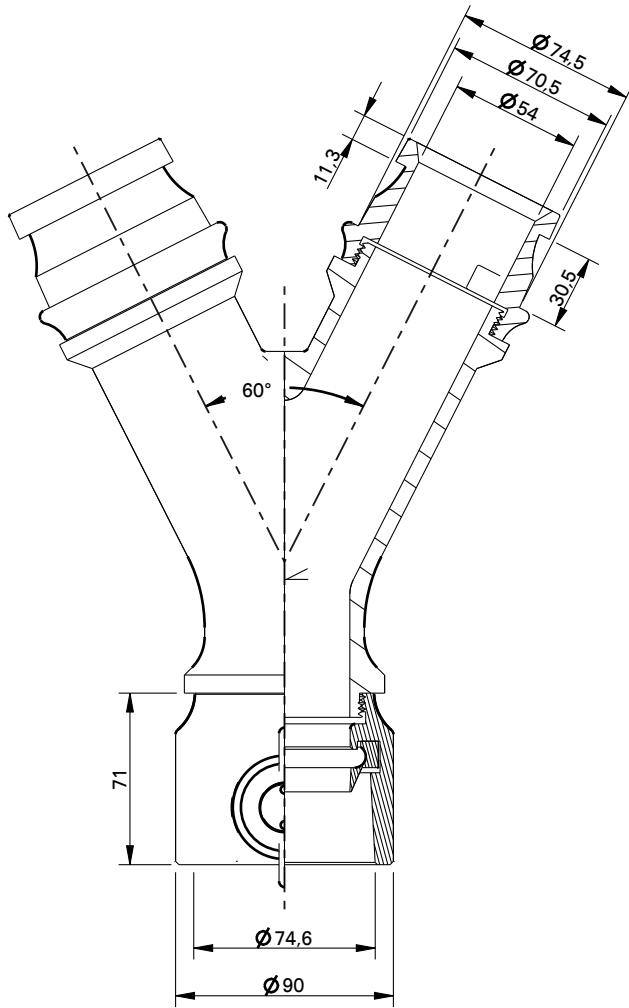
5.1	Body	Painted - Fire Red Color
5.2	Female/Male Coupling	Polished

6.0 APPROVALS & MARKING

6.1	Approvals	--
6.2	Marking	AAAG/ Year of Mfg./SI No

7.0 WARRANTY

7.1	Warranty & Guarantee	12 Months from the date of supply
-----	----------------------	-----------------------------------



1	BODY	ALUMINIUM ALLOY
2	FEMALE OUTLET	ALUMINIUM ALLOY
3	MALE OUTLET	ALUMINIUM ALLOY
4	LUG ASSEMBLY	ALUMINIUM ALLOY
5	WASHER	RUBBER IS:937
NO.	DESCRIPTION	MATERIAL
PART LIST		



Shah Bhogilal Jethalal & Bros.

AHMEDABAD

TITLE : Collecting Breech (2 - Way),
Aluminium, As Per IS:905

SCALE

DRAWING NO:

SHEET

REV.

N.T.S

A182-63AS

1 OF 1

0