

CONTROLLED DIVIDING BREECH (2 WAY)

SS304, 63 mm, AS PER IS:5131 (TYPE A)



Controlled Dividing Breeches are used in fire fighting operations to split one hose line into two lines. It has one Instantaneous male inlet for water inflow and two female instantaneous outlets for connecting two hoses to discharge water. Additionally, a selector valve (or ball valves on outlets) allows control of flow to either one or both outlets.

Brief Description : AAAG Controlled Dividing Breech (2 Way), as per IS:5131, Type A, made of Stainless Steel (SS304), having Two Nos. 63 mm size Female Instantaneous Outlets, & One No. 63 mm size Male Instantaneous inlets, suitable for use with 63 mm Fire fighting delivery Hose couplings. 3-way Selector valve allows operation of single or both hose lines or shut-off.

1.0 GENERAL DATA

1.1	Make	AAAG
1.2	Size	63mm
1.3	Inlet	Male Instantaneous Adaptor (63 mm)
1.4	Outlet	2 Nos Female Instantaneous Adaptor (63 mm)
1.5	Material of Construction	Stainless Steel (SS304)
1.6	Reference	IS:5131

2.0 MATERIAL OF CONSTRUCTION

2.1	Body	SS304, IS:3444 Grade I
2.2	Male/Female Coupling	SS304, IS:3444 Grade I
2.3	Lugs	SS304, IS:3444 Grade I
2.4	Selector Valve	SS304, IS:3444 Grade I
2.5	Washer	Rubber

3.0 TESTING AND QUALITY CONTROL

3.1	Dimensional check	See drawing below
3.2	Hydrostatic Pressure test	21 kgf/cm ² for 2.5 minutes
3.3	Documentation	Internal inspection report, supplier's certificates, approved laboratory test certificates

4.0 OPERATIONAL/ TECHNICAL DATA

4.1	Working Pressure Range	Upto 12 Kgf/cm ²
4.2	Weight (approx.)	9.6 Kgs. (approx)

5.0 FINISH

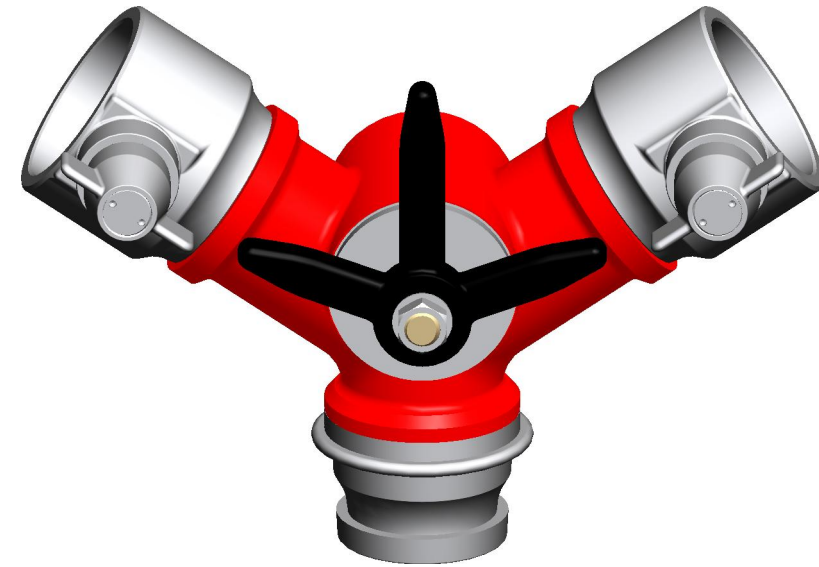
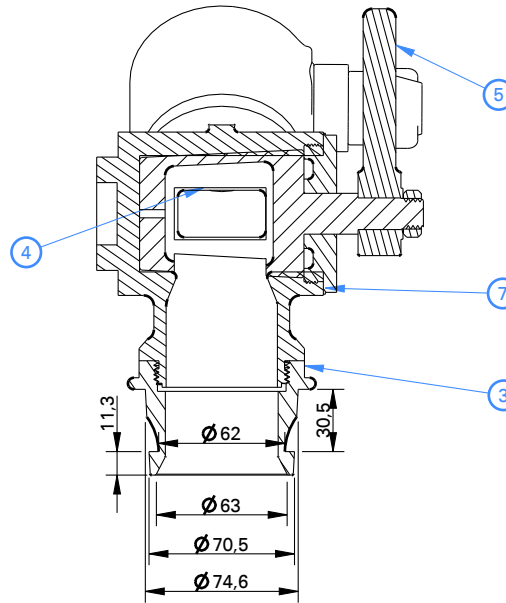
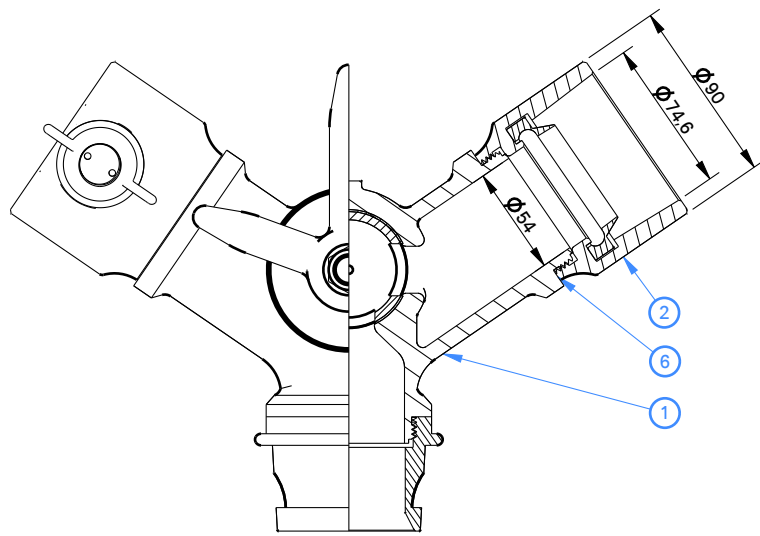
5.1	Body	Painted - Fire Red Color
5.2	Female/Male Coupling	Polished

6.0 APPROVALS & MARKING

6.1	Approvals	--
6.2	Marking	AAAG/ Year of Mfg./SI No

7.0 WARRANTY

7.1	Warranty & Guarantee	12 Months from the date of supply
-----	----------------------	-----------------------------------



1	BODY	SS 304 IS: 3444 Gr.1
2	FEMALE INST.OUTLET	SS 304 IS: 3444 Gr.1
3	MALE INST.INLET	SS 304 IS: 3444 Gr.1
4	BUSH	SS 304 IS: 3444 Gr.1
5	HANDLE	SS 304 IS: 3444 Gr.1
6	FLAT WASHER	RUBBER
7	O' RING	RUBBER
NO	DESCRIPTION	MATERIAL
PART LIST		



Shah Bhogilal Jethalal & Bros.

AHMEDABAD

TITLE :

Controlled Dividing Breech (2-Way),
SS 304, As Per IS: 5131

SCALE

N.T.S

DRAWING NO:

S183-63AS

SHEET

1 OF 1

REV.

0