

CONTROLLED DIVIDING BREECH (2 WAY)

ALUMINIUM, 63 mm, AS PER IS:5131 (TYPE A)



Controlled Dividing Breeches are used in fire fighting operations to split one hose line into two lines. It has one Instantaneous male inlet for water inflow and two female instantaneous outlets for connecting two hoses to discharge water. Additionally, a selector valve (or ball valves on outlets) allows control of flow to either one or both outlets.

Brief Description : AAAG Controlled Dividing Breech (2 Way), as per IS:5131, Type A, made of Aluminium, having Two Nos. 63 mm size Female Instantaneous Outlets, and One No. 63 mm size Male Instantaneous inlets, suitable for use with 63 mm Fire fighting delivery Hose couplings. 3-way Selector valve allows operation of single or both hose lines or shut-off.

1.0 GENERAL DATA

1.1	Make	AAAG
1.2	Size	63mm
1.3	Inlet	Male Instantaneous Adaptor (63 mm)
1.4	Outlet	2 Nos Female Instantaneous Adaptor (63 mm)
1.5	Material of Construction	Aluminium
1.6	Reference	IS:5131

2.0 MATERIAL OF CONSTRUCTION

2.1	Body	Aluminium, 4450 IS:617
2.2	Male/Female Coupling	Aluminium, 4450 IS:617
2.3	Lugs	Aluminium, 4450 IS:617
2.4	Selector Valve	GM - IS: 318 LTB-2
2.5	Washer	Rubber

3.0 TESTING AND QUALITY CONTROL

3.1	Dimensional check	See drawing below
3.2	Hydrostatic Pressure test	21 kgf/cm ² for 2.5 minutes
3.3	Documentation	Internal inspection report, supplier's certificates, approved laboratory test certificates

4.0 OPERATIONAL/ TECHNICAL DATA

4.1	Working Pressure Range	Upto 12 Kgf/cm ²
4.2	Weight (approx.)	3.8 Kgs. (approx)

5.0 FINISH

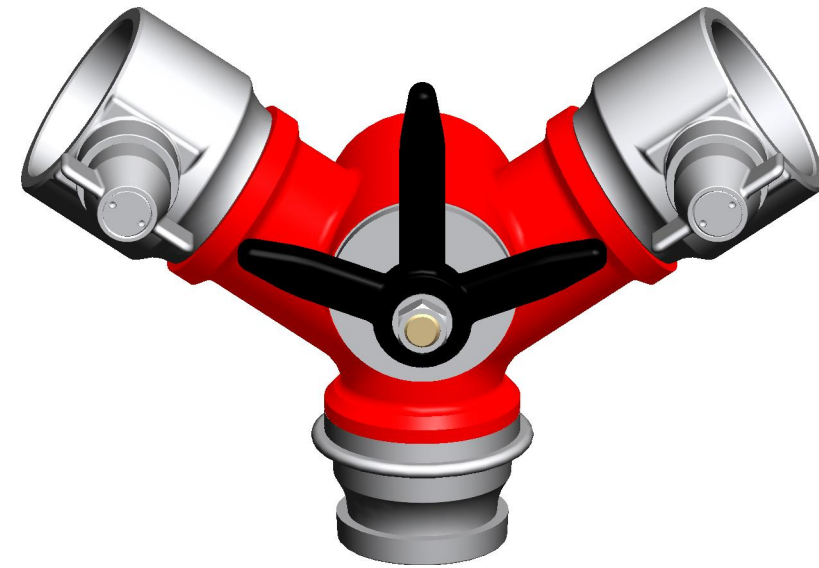
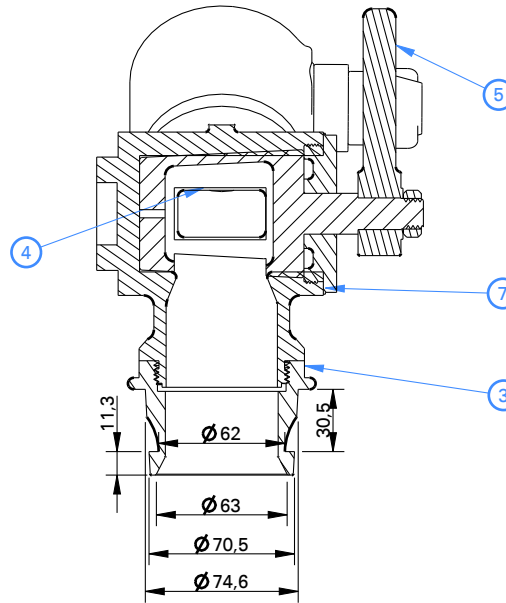
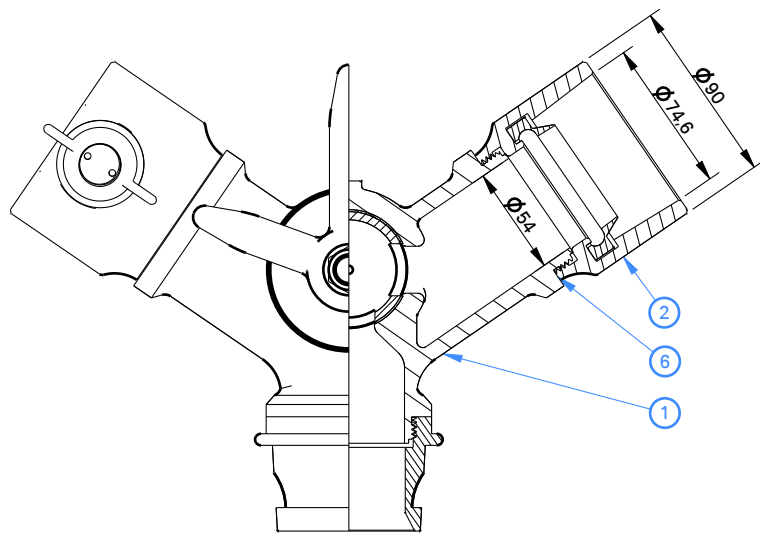
5.1	Body	Painted - Fire Red Color
5.2	Female/Male Coupling	Polished

6.0 APPROVALS & MARKING

6.1	Approvals	--
6.2	Marking	AAAG/ Year of Mfg./SI No

7.0 WARRANTY

7.1	Warranty & Guarantee	12 Months from the date of supply
-----	----------------------	-----------------------------------



1	BODY	ALUMINIUM IS: 617
2	FEMALE INST.OUTLET	ALUMINIUM IS: 617
3	MALE INST.INLET	ALUMINIUM IS: 617
4	BUSH	G.M IS: 318 LTB-2
5	HANDLE	M.S
6	FLAT WASHER	RUBBER
7	O' RING	RUBBER
NO	DESCRIPTION	MATERIAL
PART LIST		



Shah Bhogilal Jethalal & Bros.

AHMEDABAD

TITLE :

Controlled Dividing Breech (2-Way),
Aluminium, As Per IS: 5131

SCALE

N.T.S

DRAWING NO:

A183-63AS

SHEET

1 OF 1

REV.

0