

# CONTROLLED DIVIDING BREECH (2 WAY)

GUNMETAL, 63 mm, AS PER IS:5131 (TYPE A)



Controlled Dividing Breeches are used in fire fighting operations to split one hose line into two lines. It has one Instantaneous male inlet for water inflow and two female instantaneous outlets for connecting two hoses to discharge water. Additionally, a selector valve (or ball valves on outlets) allows control of flow to either one or both outlets.

**Brief Description :** AAAG Controlled Dividing Breech (2 Way), as per IS:5131, Type A, made of Gunmetal, having Two Nos. 63 mm size Female Instantaneous Outlets, and One No. 63 mm size Male Instantaneous inlets, suitable for use with 63 mm Fire fighting delivery Hose couplings. 3-way Selector valve allows operation of single or both hose lines or shut-off.

## 1.0 GENERAL DATA

1.1	Make	AAAG
1.2	Size	63mm
1.3	Inlet	Male Instantaneous Adaptor (63 mm)
1.4	Outlet	2 Nos Female Instantaneous Adaptor (63 mm)
1.5	Material of Construction	Gunmetal
1.6	Reference	IS:5131

## 2.0 MATERIAL OF CONSTRUCTION

2.1	Body	GM - IS: 318 LTB-2
2.2	Male/Female Coupling	GM - IS: 318 LTB-2
2.3	Lugs	GM - IS: 318 LTB-2
2.4	Selector Valve	GM - IS: 318 LTB-2
2.5	Washer	Rubber

## 3.0 TESTING AND QUALITY CONTROL

3.1	Dimensional check	See drawing below
3.2	Hydrostatic Pressure test	21 kgf/cm <sup>2</sup> for 2.5 minutes
3.3	Documentation	Internal inspection report, supplier's certificates, approved laboratory test certificates

## 4.0 OPERATIONAL/ TECHNICAL DATA

4.1	Working Pressure Range	Upto 12 Kgf/cm <sup>2</sup>
4.2	Weight (approx.)	10.0 Kgs. (approx)

## 5.0 FINISH

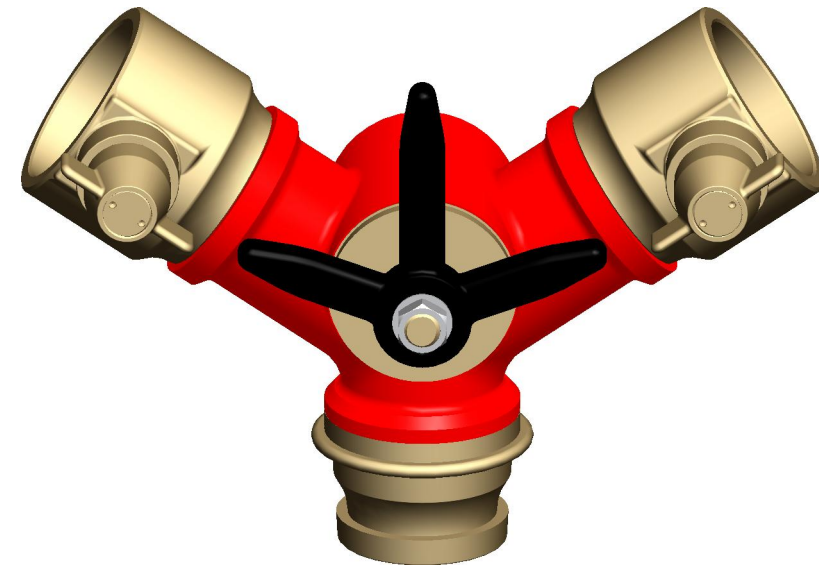
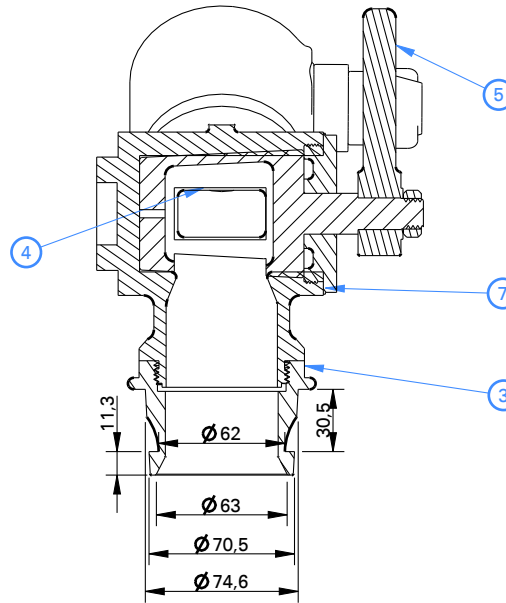
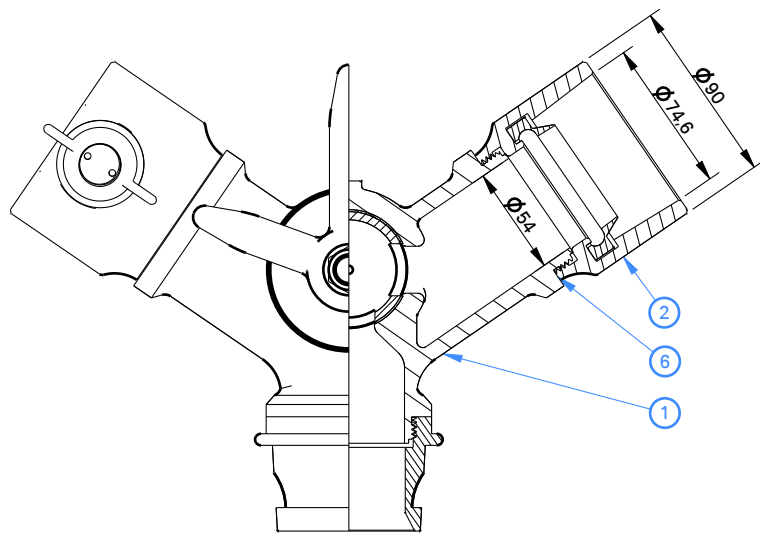
5.1	Body	Painted - Fire Red Color
5.2	Female/Male Coupling	Polished

## 6.0 APPROVALS & MARKING

6.1	Approvals	--
6.2	Marking	AAAG/ Year of Mfg./SI No

## 7.0 WARRANTY

7.1	Warranty & Guarantee	12 Months from the date of supply
-----	----------------------	-----------------------------------



1	BODY	G.M IS: 318 LTB-2
2	FEMALE INST.OUTLET	G.M IS: 318 LTB-2
3	MALE INST.INLET	G.M IS: 318 LTB-2
4	BUSH	G.M IS: 318 LTB-2
5	HANDLE	G.M IS: 318 LTB-2
6	FLAT WASHER	RUBBER
7	O' RING	RUBBER
<b>NO</b>	<b>DESCRIPTION</b>	<b>MATERIAL</b>
<b>PART LIST</b>		



**Shah Bhogilal Jethalal & Bros.**

AHMEDABAD

**TITLE :**

Controlled Dividing Breech (2-Way),  
Gunmetal, As Per IS: 5131

**SCALE**

N.T.S

**DRAWING NO:**

G183-63AS

**SHEET**

1 OF 1

**REV.**

0