

DIVIDING BREECH (2 WAY)

SS304, 63 mm, AS PER IS:905



Dividing Breeches are used in fire fighting operations to split one hose line into two lines. It has one Instantaneous male inlet for water inflow and two female instantaneous outlets for connecting two hoses to discharge water.

Brief Description : AAAG Dividing Breech (2 Way), as per IS:905, made of Stainless Steel (SS304), having Two Nos. 63 mm size Female Instantaneous Outlets, and One No. 63 mm size Male Instantaneous inlets, suitable for use with 63 mm Fire fighting delivery Hose couplings.

1.0 GENERAL DATA

| | | |
|-----|--------------------------|--|
| 1.1 | Make | AAAG |
| 1.2 | Size | 63mm |
| 1.3 | Inlet | Male Instantaneous Adaptor (63 mm) |
| 1.4 | Outlet | 2 Nos Female Instantaneous Adaptor (63 mm) |
| 1.5 | Material of Construction | Stainless Steel (SS304) |
| 1.6 | Reference | -- |

2.0 MATERIAL OF CONSTRUCTION

| | | |
|-----|----------------------|------------------------|
| 2.1 | Body | SS304, IS:3444 Grade I |
| 2.2 | Male/Female Coupling | SS304, IS:3444 Grade I |
| 2.3 | Lugs | SS304, IS:3444 Grade I |
| 2.4 | Washer | Rubber |

3.0 TESTING AND QUALITY CONTROL

| | | |
|-----|---------------------------|--|
| 3.1 | Dimensional check | See drawing below |
| 3.2 | Hydrostatic Pressure Test | 21 kgf/cm ² for 2.5 minutes |
| 3.3 | Documentation | Internal inspection report, supplier's certificates, approved laboratory test certificates |

4.0 OPERATIONAL/ TECHNICAL DATA

| | | |
|-----|------------------------|----------------------------|
| 4.1 | Working Pressure Range | Upto 12 Kg/cm ² |
| 4.2 | Weight (approx.) | 6.0 Kgs. (approx) |

5.0 FINISH

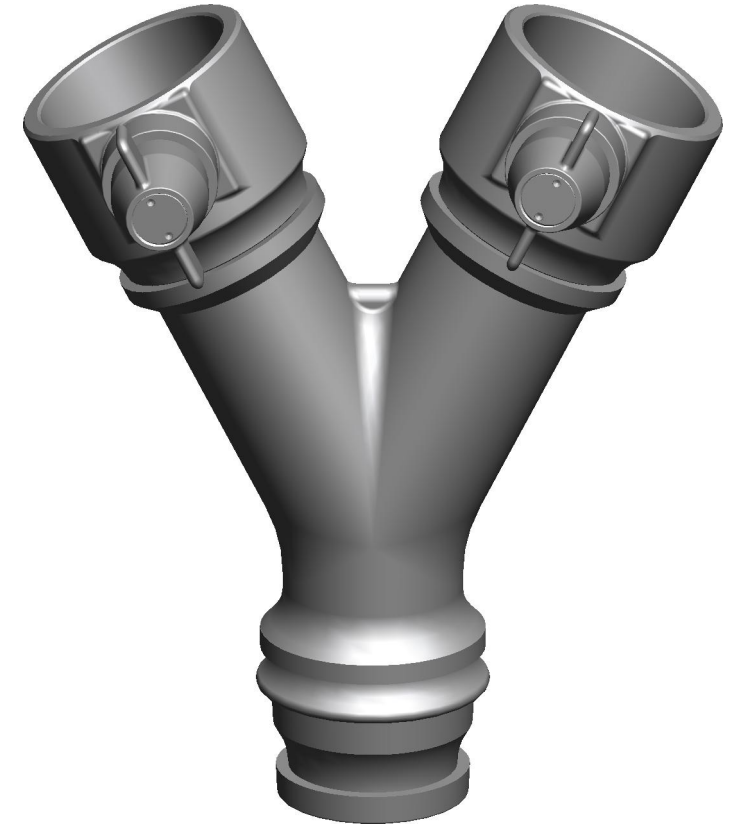
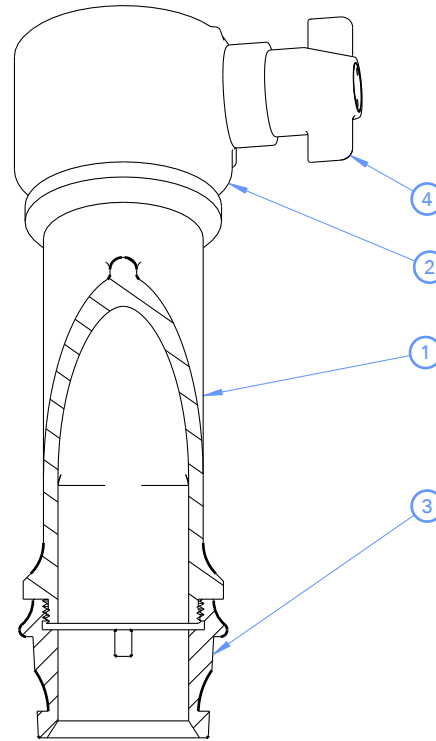
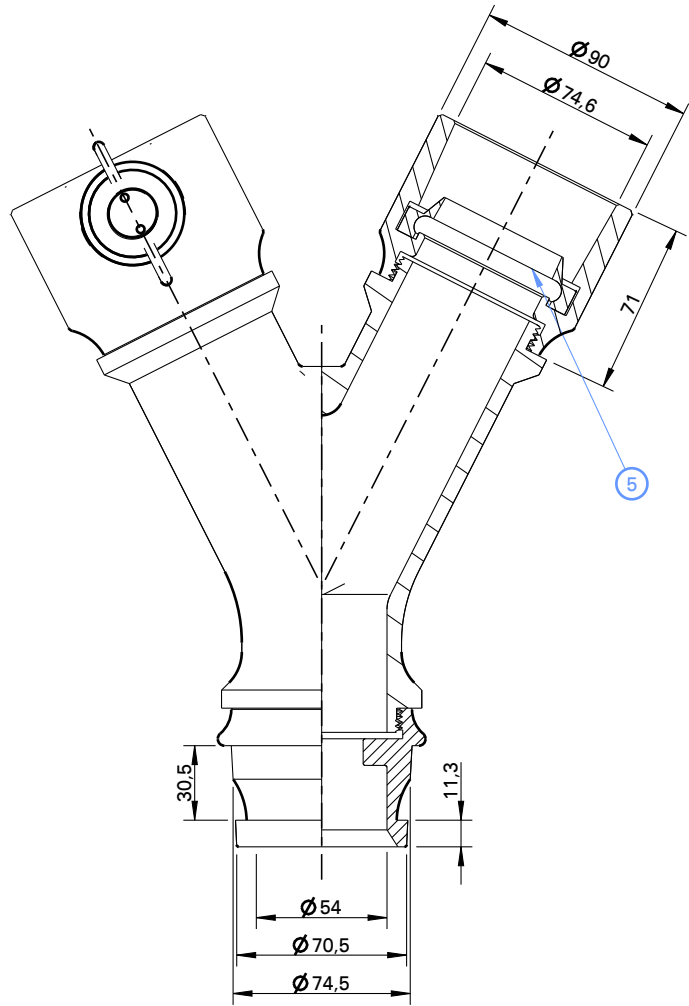
| | | |
|-----|----------------------|--------------------------|
| 5.1 | Body | Painted - Fire Red Color |
| 5.2 | Female/Male Coupling | Polished |

6.0 APPROVALS & MARKING

| | | |
|-----|-----------|--------------------------|
| 6.1 | Approvals | -- |
| 6.2 | Marking | AAAG/ Year of Mfg./SI No |

7.0 WARRANTY

| | | |
|-----|----------------------|-----------------------------------|
| 7.1 | Warranty & Guarantee | 12 Months from the date of supply |
|-----|----------------------|-----------------------------------|



| | | |
|------------------|--------------------|------------------------|
| 1 | BODY | S.S 304 (IS:3444 Gr.1) |
| 2 | FEMALE OUTLET | S.S 304 (IS:3444 Gr.1) |
| 3 | MALE OUTLET | S.S 304 (IS:3444 Gr.1) |
| 4 | LUG ASSEMBLY | S.S 304 (IS:3444 Gr.1) |
| 5 | WASHER | RUBBER IS:937 |
| NO | DESCRIPTION | MATERIAL |
| PART LIST | | |



Shah Bhogilal Jethalal & Bros.

AHMEDABAD

TITLE : Dividing Breech (2-Way),
SS 304, As Per IS:905

SCALE

N.T.S

DRAWING NO:

S181-63AS

SHEET

1 OF 1

REV.

0