

# ADAPTOR

**GUNMETAL, 100 mm, MALE ROUND THREADS x MALE BSP THREADS**



Adaptors allow connection of delivery or suction hoses to different fittings/equipment, which have a dissimilar connecting arrangement, e.g. connecting hoses to equipment having threaded connections, connecting instantaneous hose couplings to flanged equipment, connecting hoses having similar couplings, or hoses of two different sizes, etc.

**Brief Description :** AAAG Male Round Thread (100 mm) x Male Thread (BSP, 100 mm) Adaptor, made of Gunmetal, suitable for use with Firefighting equipment/systems having matching Female BSP threads (100 mm). Male Round Threads shall be matching to standard Female Round threads (100 mm size). Lugs shall be provided for easy tightening of adaptor.

## 1.0 GENERAL DATA

1.1	Make	AAAG
1.2	Size	100 mm
1.3	Inlet	Male Round Thread (100 mm)
1.4	Outlet	Male BSP Thread (100 mm)
1.5	Material of Construction	Gunmetal
1.6	Reference	--

## 2.0 MATERIAL OF CONSTRUCTION

2.1	Adaptor	Gunmetal, IS:318 LTB-2
-----	---------	------------------------

## 3.0 TESTING AND QUALITY CONTROL

3.1	Dimensional check	See drawing below
3.2	Hydrostatic Pressure Test	21 kgf/cm <sup>2</sup> for 2.5 minutes
3.3	Documentation	Internal inspection report, supplier's certificates, approved laboratory test certificates

## 4.0 OPERATIONAL/ TECHNICAL DATA

4.1	Working Pressure Range	upto 14 Kgf/cm <sup>2</sup>
4.2	Weight (approx.)	3.0 Kgs. (approx)

## 5.0 FINISH

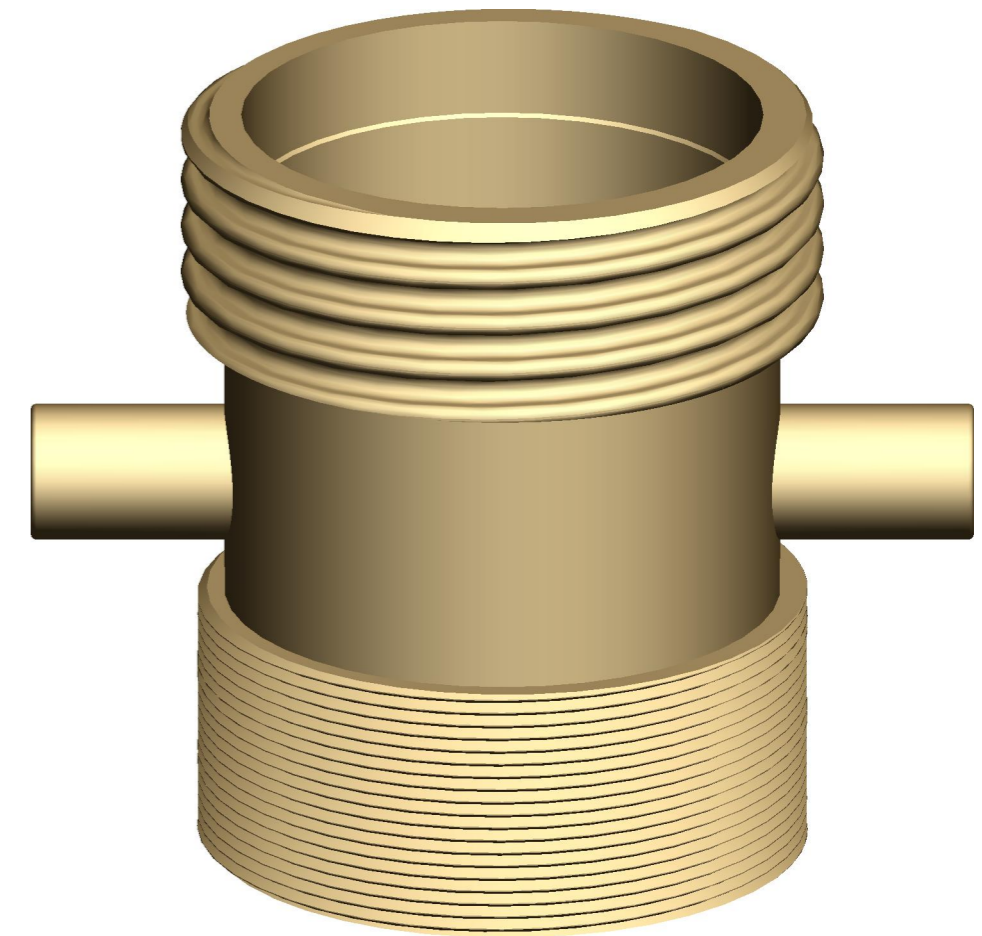
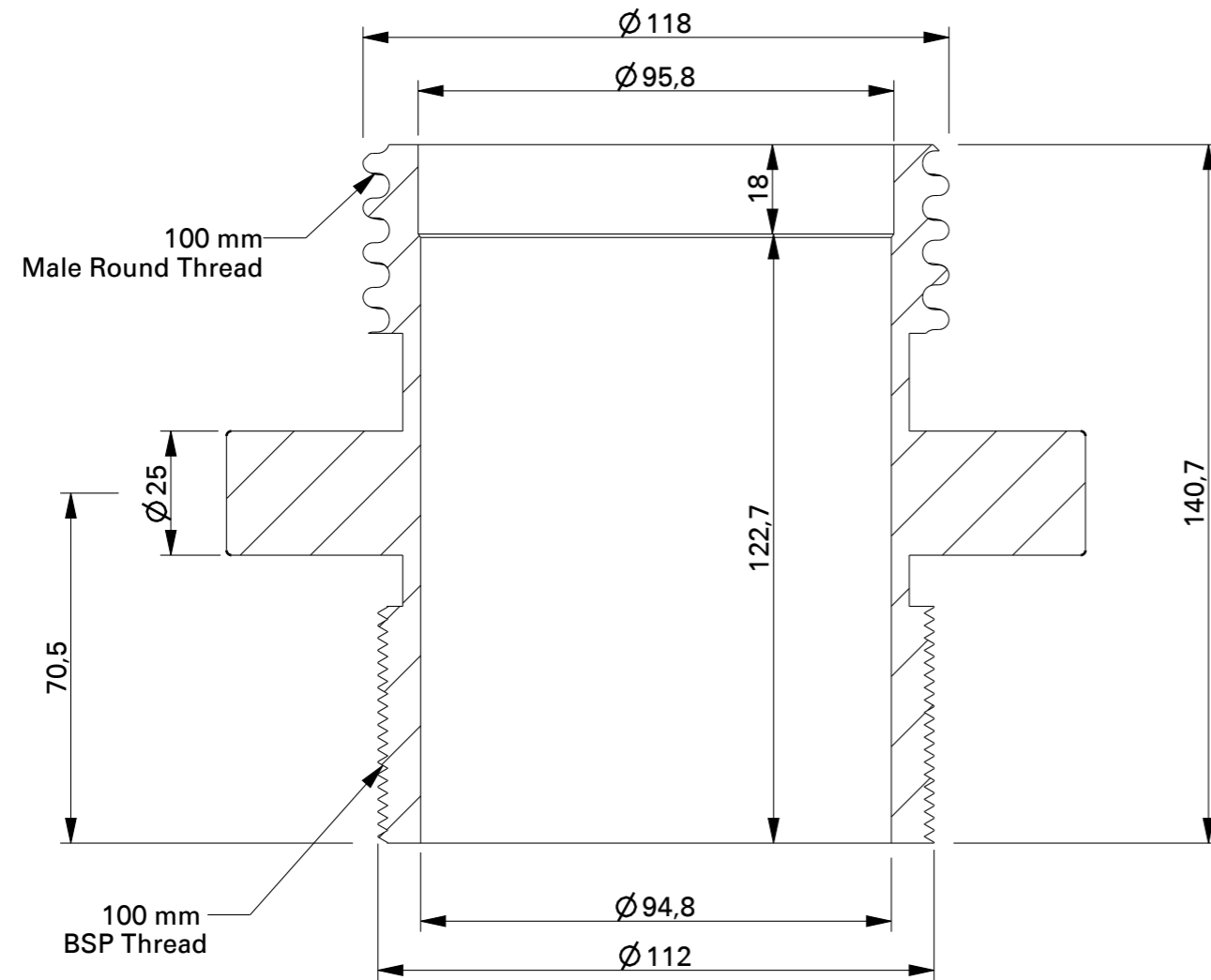
5.1	Adaptor	Polished
-----	---------	----------

## 6.0 APPROVALS & MARKING

6.1	Approvals	--
6.2	Marking	AAAG/ Year of Mfg./SI No

## 7.0 WARRANTY

7.1	Warranty & Guarantee	12 Months from the date of supply
-----	----------------------	-----------------------------------



**Shah Bhogilal Jethalal & Bros.**

AHMEDABAD

**TITLE :**

Male Round Thread (100 mm) x Male Threaded  
( BSP, 100 mm ) Adaptor, Gunmetal

**SCALE**

N.T.S

**DRAWING NO:**

G177-100BJ

**SHEET**

1 OF 1

**REV.**

0