

## ADAPTOR

**SS304, 140 mm, FEMALE ROUND THREADS x FLANGED**



Adaptors allow connection of delivery or suction hoses to different fittings/equipment, which have a dissimilar connecting arrangement, e.g. connecting hoses to equipment having threaded connections, connecting instantaneous hose couplings to flanged equipment, connecting hoses having similar couplings, or hoses of two different sizes, etc.

**Brief Description :** AAAG Female Round Thread (140 mm) x Flanged (140 mm, ANSI B 16.5 150# or equivalent) Adaptor, made of Stainless Steel (SS304), suitable for use with Firefighting equipment/systems having matching flange. Female Round Threads shall be matching to standard Male Round threads (140 mm size).

### 1.0 GENERAL DATA

1.1	Make	AAAG
1.2	Size	140 mm
1.3	Inlet	Flanged (140 mm, ANSI B 16.5 150# or equivalent)
1.4	Outlet	Female Round Thread (140 mm)
1.5	Material of Construction	Stainless Steel (SS304)
1.6	Reference	--

### 2.0 MATERIAL OF CONSTRUCTION

2.1	Adaptor	SS304, IS:3444 Grade I
-----	---------	------------------------

### 3.0 TESTING AND QUALITY CONTROL

3.1	Dimensional check	See drawing below
3.2	Hydrostatic Pressure Test	21 kgf/cm <sup>2</sup> for 2.5 minutes
3.3	Documentation	Internal inspection report, supplier's certificates, approved laboratory test certificates

### 4.0 OPERATIONAL/ TECHNICAL DATA

4.1	Working Pressure Range	upto 14 Kgf/cm <sup>2</sup>
4.2	Weight (approx.)	13 kgs (approx)

### 5.0 FINISH

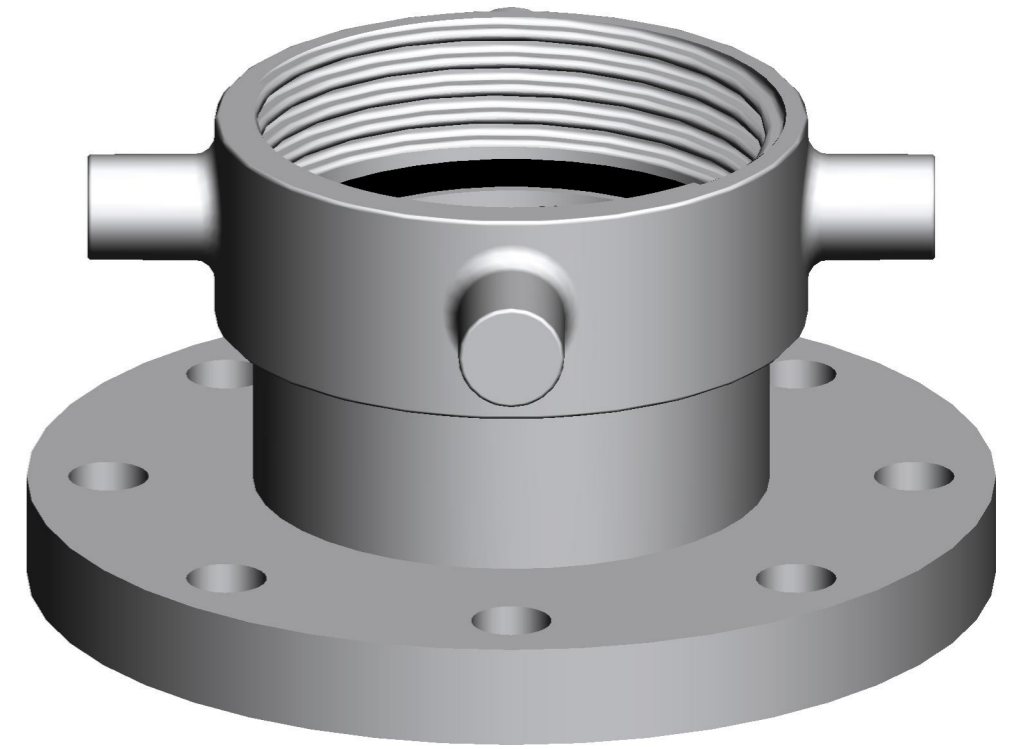
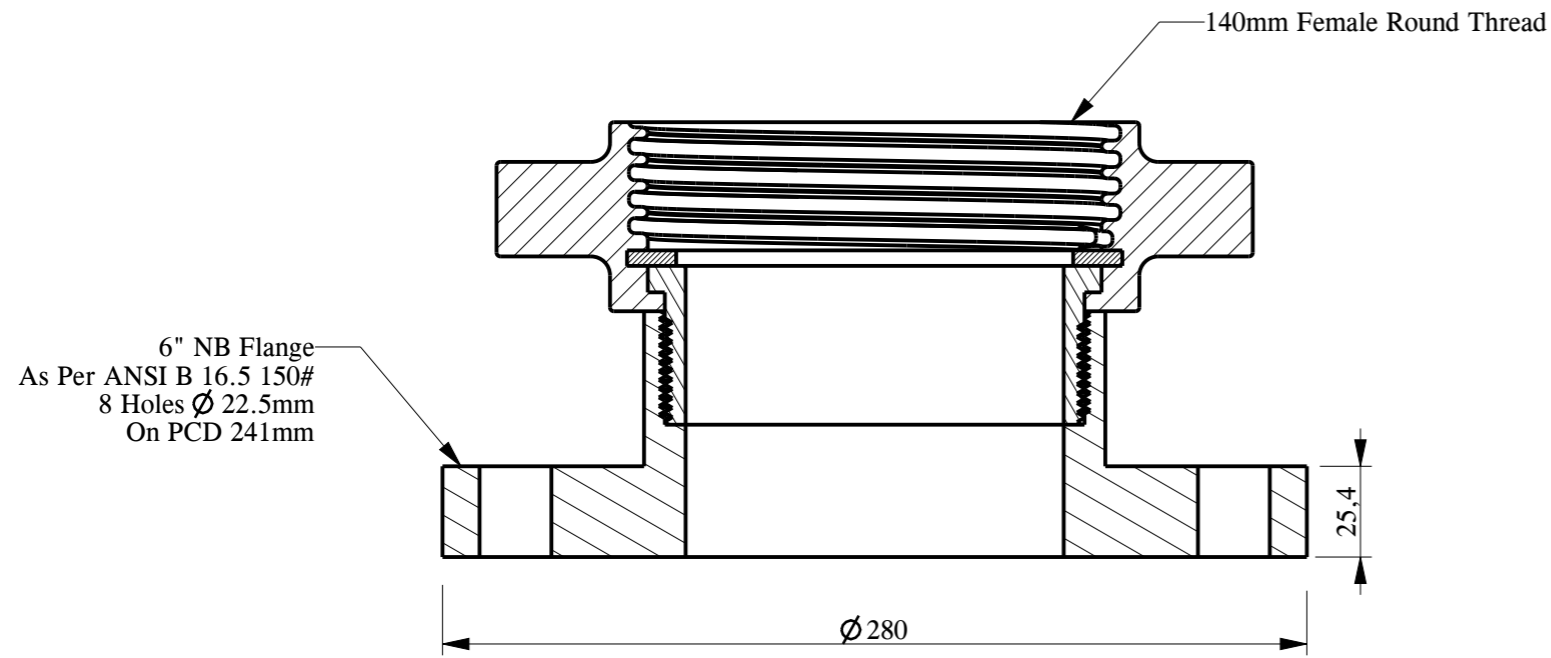
5.1	Adaptor	Polished
-----	---------	----------


### 6.0 APPROVALS & MARKING

6.1	Approvals	--
6.2	Marking	AAAG/ Year of Mfg./SI No

### 7.0 WARRANTY

7.1	Warranty & Guarantee	12 Months from the date of supply
-----	----------------------	-----------------------------------



 <b>Shah Bhogilal Jethalal &amp; Bros.</b> AHMEDABAD			
TITLE : Female Round Thread ( 140mm) x Flanged (140mm) Adaptor, SS 304			
SCALE	DRAWING NO:	SHEET	REV.
N.T.S	S176-140BJ	1 OF 1	0