

ADAPTOR

SS304, 75 mm, FEMALE ROUND THREADS x FLANGED



Adaptors allow connection of delivery or suction hoses to different fittings/equipment, which have a dissimilar connecting arrangement, e.g. connecting hoses to equipment having threaded connections, connecting instantaneous hose couplings to flanged equipment, connecting hoses having similar couplings, or hoses of two different sizes, etc.

Brief Description : AAAG Female Round Thread (75 mm) x Flanged (75 mm, ANSI B 16.5 150# or equivalent) Adaptor, made of Stainless Steel (SS304), suitable for use with Firefighting equipment/systems having matching flange. Female Round Threads shall be matching to standard Male Round threads (75 mm size).

1.0 GENERAL DATA

1.1	Make	AAAG
1.2	Size	75 mm
1.3	Inlet	Flanged (75 mm, ANSI B 16.5 150# or equivalent)
1.4	Outlet	Female Round Thread (75 mm)
1.5	Material of Construction	Stainless Steel (SS304)
1.6	Reference	--

2.0 MATERIAL OF CONSTRUCTION

2.1	Adaptor	SS304, IS:3444 Grade I
-----	---------	------------------------

3.0 TESTING AND QUALITY CONTROL

3.1	Dimensional check	See drawing below
3.2	Hydrostatic Pressure Test	21 kgf/cm ² for 2.5 minutes
3.3	Documentation	Internal inspection report, supplier's certificates, approved laboratory test certificates

4.0 OPERATIONAL/ TECHNICAL DATA

4.1	Working Pressure Range	upto 14 Kgf/cm ²
4.2	Weight (approx.)	---

5.0 FINISH

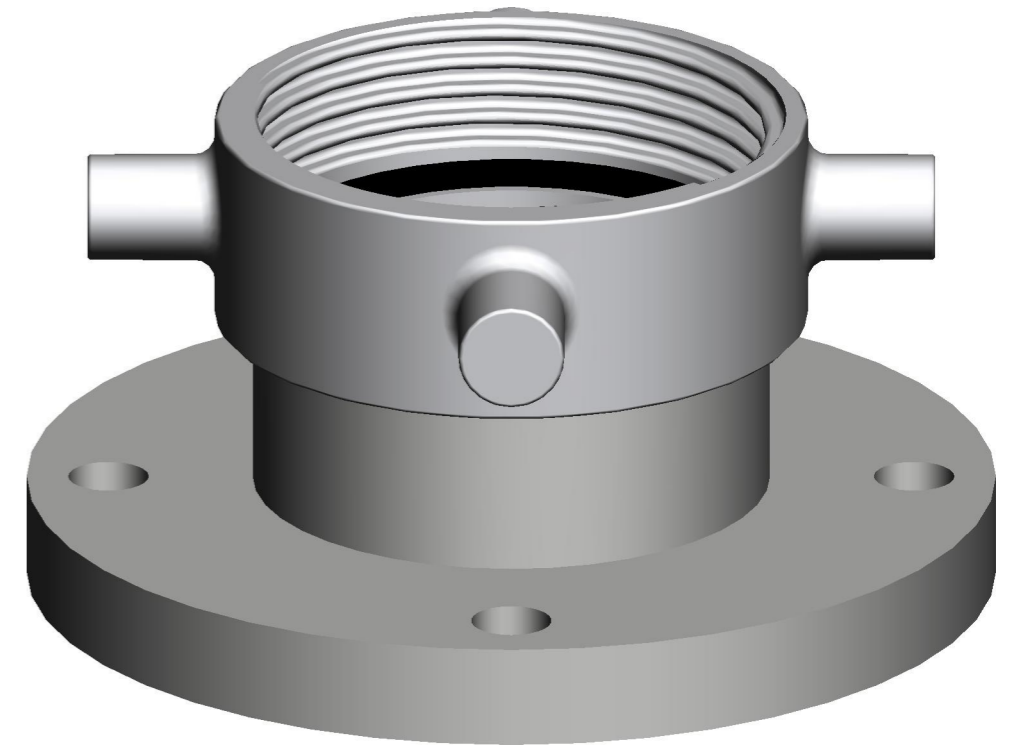
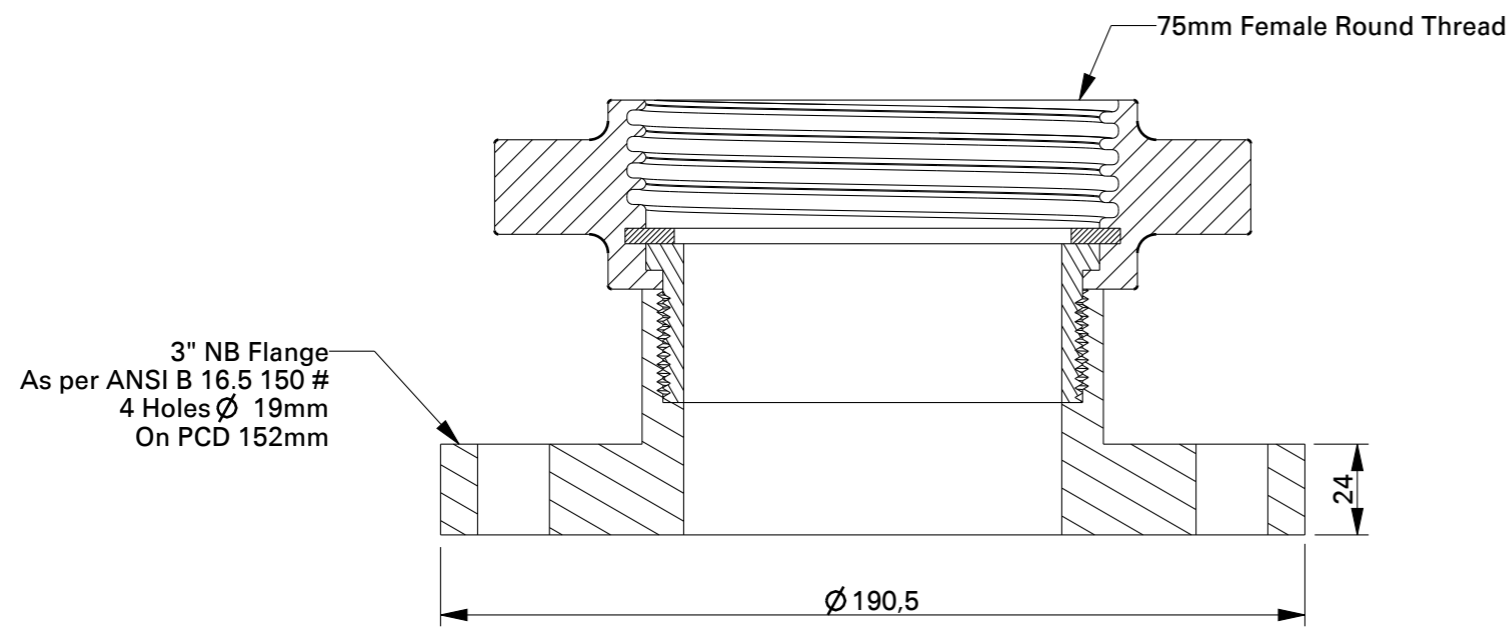
5.1	Adaptor	Polished
-----	---------	----------

6.0 APPROVALS & MARKING

6.1	Approvals	--
6.2	Marking	AAAG/ Year of Mfg./SI No

7.0 WARRANTY

7.1	Warranty & Guarantee	12 Months from the date of supply
-----	----------------------	-----------------------------------



Shah Bhogilal Jethalal & Bros.

AHMEDABAD

TITLE :

Female Round Thread (75mm) x Flanged
(75mm) Adaptor, SS 304

SCALE

DRAWING NO:

SHEET

REV.

N.T.S

S176-75BJ

1 OF 1

0