

# ADAPTOR

## GUNMETAL, 63 mm, INTERNATIONAL SHORE CONNECTION (MALE)



Adaptors allow connection of delivery or suction hoses to different fittings/equipment, which have a dissimilar connecting arrangement, e.g. connecting hoses to equipment having threaded connections, connecting instantaneous hose couplings to flanged equipment, connecting hoses having similar couplings, or hoses of two different sizes, etc.

**Brief Description :** AAAG International Shore Connection (Male Instantaneous), made of Gunmetal, suitable for use with Firefighting systems having matching Flange. Male Instantaneous adaptor shall be matching to standard Female coupling.

### 1.0 GENERAL DATA

1.1	Make	AAAG
1.2	Size	63 mm
1.3	Inlet	Male Instantaneous Adaptor, 63 mm size
1.4	Outlet	Flange, International Shore Connection
1.5	Material of Construction	Gunmetal
1.6	Reference	--

### 2.0 MATERIAL OF CONSTRUCTION

2.1	Adaptor	Gunmetal, IS:318 LTB-2
-----	---------	------------------------

### 3.0 TESTING AND QUALITY CONTROL

3.1	Dimensional check	See drawing below
3.2	Hydrostatic Pressure Test	21 kgf/cm <sup>2</sup> for 2.5 minutes
3.3	Documentation	Internal inspection report, supplier's certificates, approved laboratory test certificates

### 4.0 OPERATIONAL/ TECHNICAL DATA

4.1	Working Pressure Range	upto 14 Kgf/cm <sup>2</sup>
4.2	Weight (approx.)	4.5 Kgs. (approx)

### 5.0 FINISH

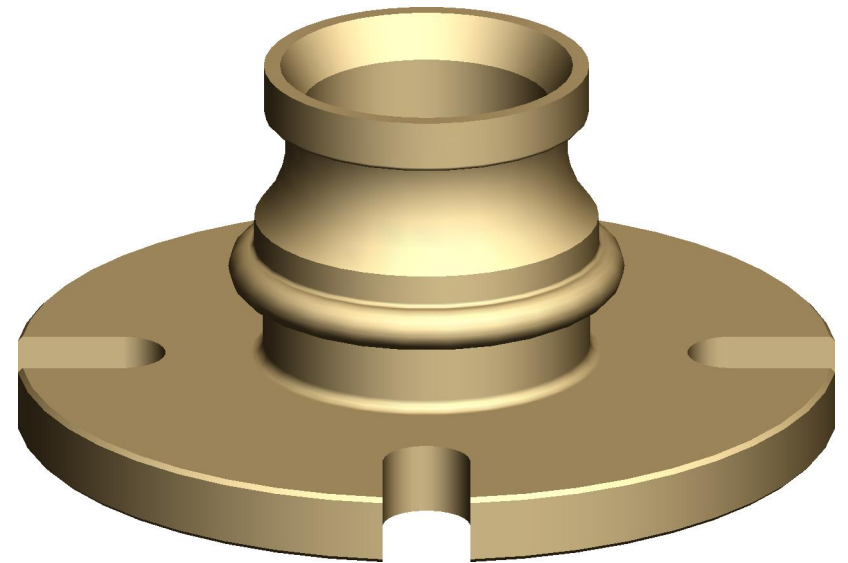
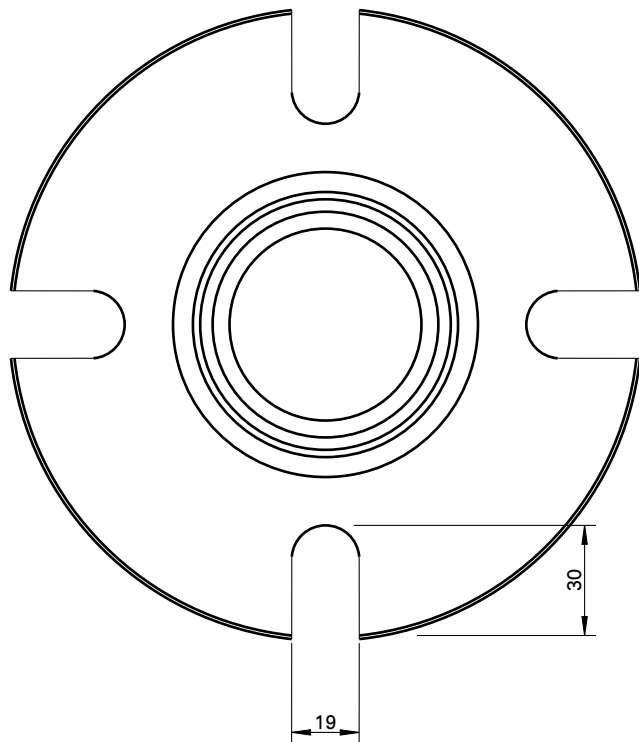
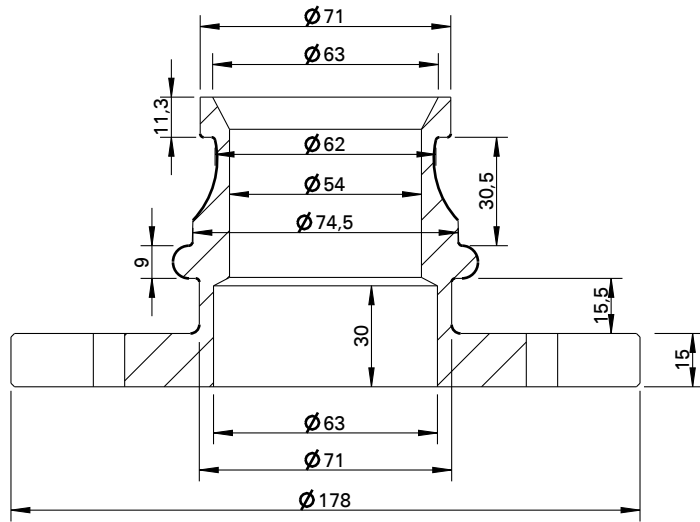
5.1	Adaptor	Polished
-----	---------	----------

### 6.0 APPROVALS & MARKING

6.1	Approvals	--
6.2	Marking	AAAG/ Year of Mfg./SI No

### 7.0 WARRANTY

7.1	Warranty & Guarantee	12 Months from the date of supply
-----	----------------------	-----------------------------------



**Shah Bhogilal Jethalal & Bros.**

AHMEDABAD

TITLE :

International Shore Connection  
(Male Instantaneous), Gunmetal

SCALE

DRAWING NO:

SHEET

REV.

N.T.S

G175-63BJ

1 OF 1

0