

ADAPTOR

SS316, 63 mm, MALE INST (NRV) X FLANGED



Adaptors allow connection of delivery or suction hoses to different fittings/equipment, which have a dissimilar connecting arrangement, e.g. connecting hoses to equipment having threaded connections, connecting instantaneous hose couplings to flanged equipment, connecting hoses having similar couplings, or hoses of two different sizes, etc.

Brief Description : AAAG Male Instantaneous (63 mm) with Non-Return Valve x Flanged (63 mm, ANSI B 16.5 150# or equivalent) Adaptor, made of Stainless Steel (SS316), suitable for use with Firefighting equipment having matching Flange. Male Instantaneous adaptor shall be matching to standard Female coupling.

1.0 GENERAL DATA

1.1	Make	AAAG
1.2	Size	63 mm
1.3	Inlet	Male Instantaneous Adaptor, 63 mm size with NRV
1.4	Outlet	Flange (63 mm), ANSI B 16.5 150# or equivalent
1.5	Material of Construction	Stainless Steel (SS316)
1.6	Reference	--

2.0 MATERIAL OF CONSTRUCTION

2.1	Male Adaptor	SS316, IS:3444 Grade IV
2.2	Flange	SS316, IS:3444 Grade IV
2.3	Spring	SS316, IS:3444 Grade IV
2.4	Seat Washer	Rubber, IS:937 Type A

3.0 TESTING AND QUALITY CONTROL

3.1	Dimensional check	See drawing below
3.2	Hydrostatic Pressure Test	21 kgf/cm ² for 2.5 minutes
3.3	Documentation	Internal inspection report, supplier's certificates, approved laboratory test certificates

4.0 OPERATIONAL/ TECHNICAL DATA

4.1	Working Pressure Range	upto 12 Kg/cm ²
4.2	Weight (approx.)	4.2 Kgs. (approx)

5.0 FINISH

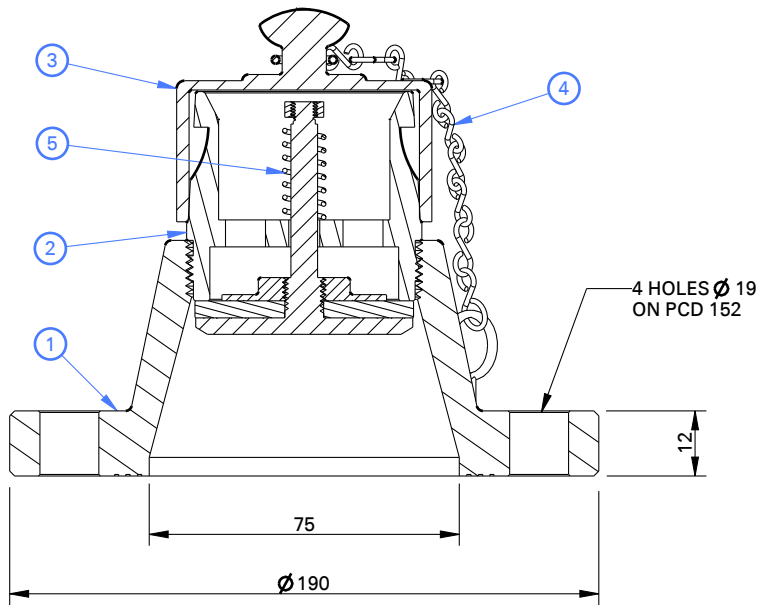
5.1	Adaptor	Polished (Inlet)/Painted
-----	---------	--------------------------

6.0 APPROVALS & MARKING

6.1	Approvals	--
6.2	Marking	AAAG/ Year of Mfg./SI No

7.0 WARRANTY

7.1	Warranty & Guarantee	12 Months from the date of supply
-----	----------------------	-----------------------------------



NOTES :

Hydraulic Pressure Test For Body : 21 KGF/CM2 (FOR 2 MIN.)

1	BODY	C.I
2	MALE INST. N.R.V	SS 316 IS : 3444 Gr.4
3	BLANK CAP	PVC
4	CHAIN	GALVENIZED
5	SPRING	IS: 6528
NO.	DESCRIPTION	MATERIAL
PART LIST		



Shah Bhogilal Jethalal & Bros.

AHMEDABAD

TITLE :

Male Instantaneous (63 mm) With NRV x Flanged (63 mm) Adaptor SS 316

SCALE	DRAWING NO:	SHEET	REV.
N.T.S	SM1740-63BJ	1 OF 1	0