

# ADAPTOR

SS304, 63 mm, MALE INST (NRV) X FLANGED



Adaptors allow connection of delivery or suction hoses to different fittings/equipment, which have a dissimilar connecting arrangement, e.g. connecting hoses to equipment having threaded connections, connecting instantaneous hose couplings to flanged equipment, connecting hoses having similar couplings, or hoses of two different sizes, etc.

**Brief Description :** AAAG Male Instantaneous (63 mm) with Non-Return Valve x Flanged (63 mm, ANSI B 16.5 150# or equivalent) Adaptor, made of Stainless Steel (SS304), suitable for use with Firefighting equipment having matching Flange. Male Instantaneous adaptor shall be matching to standard Female coupling.

## 1.0 GENERAL DATA

1.1	Make	AAAG
1.2	Size	63 mm
1.3	Inlet	Male Instantaneous Adaptor, 63 mm size with NRV
1.4	Outlet	Flange (63 mm), ANSI B 16.5 150# or equivalent
1.5	Material of Construction	Stainless Steel (SS304)
1.6	Reference	--

## 2.0 MATERIAL OF CONSTRUCTION

2.1	Male Adaptor	SS304, IS:3444 Grade I
2.2	Flange	SS304, IS:3444 Grade I
2.3	Spring	SS304, IS:3444 Grade I
2.4	Seat Washer	Rubber, IS:937 Type A

## 3.0 TESTING AND QUALITY CONTROL

3.1	Dimensional check	See drawing below
3.2	Hydrostatic Pressure Test	21 kgf/cm <sup>2</sup> for 2.5 minutes
3.3	Documentation	Internal inspection report, supplier's certificates, approved laboratory test certificates

## 4.0 OPERATIONAL/ TECHNICAL DATA

4.1	Working Pressure Range	upto 12 Kg/cm <sup>2</sup>
4.2	Weight (approx.)	4.2 Kgs. (approx)

## 5.0 FINISH

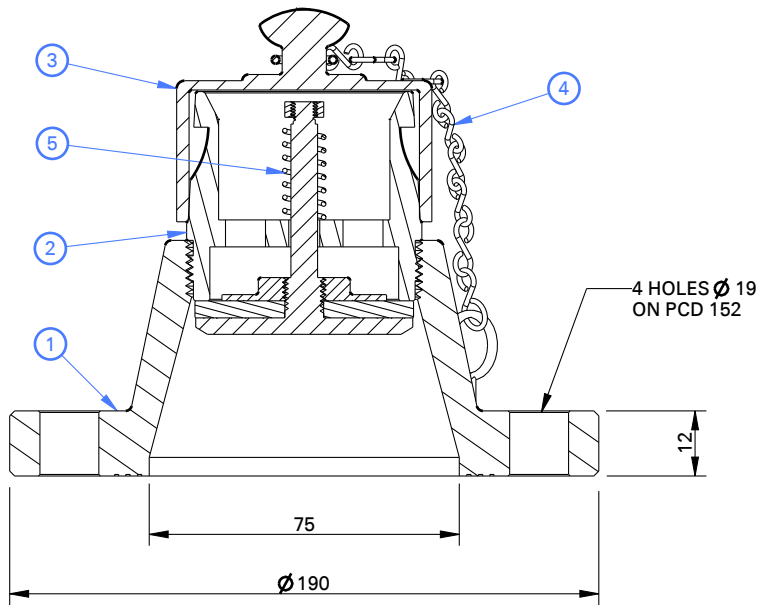
5.1	Adaptor	Polished (Inlet)/Painted
-----	---------	--------------------------

## 6.0 APPROVALS & MARKING

6.1	Approvals	--
6.2	Marking	AAAG/ Year of Mfg./SI No

## 7.0 WARRANTY

7.1	Warranty & Guarantee	12 Months from the date of supply
-----	----------------------	-----------------------------------



**NOTES :**

Hydraulic Pressure Test For Body : 21 KGF/CM2 (FOR 2 MIN.)

1	BODY	C.I
2	MALE INST. N.R.V	SS 304 IS:3444 Gr.1
3	BLANK CAP	PVC
4	CHAIN	GALVENIZED
5	SPRING	IS: 6528
<b>NO.</b>	<b>DESCRIPTION</b>	<b>MATERIAL</b>
<b>PART LIST</b>		



**Shah Bhogilal Jethalal & Bros.**

AHMEDABAD

**TITLE :**

Male Instantaneous (63 mm) With NRV x Flanged (63 mm) Adaptor SS 304

SCALE	DRAWING NO:	SHEET	REV.
N.T.S	S1740-63BJ	1 OF 1	0