

ADAPTOR

GUNMETAL, 63 mm, MALE INST (NRV) X FLANGED



Adaptors allow connection of delivery or suction hoses to different fittings/equipment, which have a dissimilar connecting arrangement, e.g. connecting hoses to equipment having threaded connections, connecting instantaneous hose couplings to flanged equipment, connecting hoses having similar couplings, or hoses of two different sizes, etc.

Brief Description : AAAG Male Instantaneous (63 mm) with Non-Return Valve x Flanged (63 mm, ANSI B 16.5 150# or equivalent) Adaptor, made of Gunmetal, suitable for use with Firefighting equipment having matching Flange. Male Instantaneous adaptor shall be matching to standard Female coupling.

1.0 GENERAL DATA

| | | |
|-----|--------------------------|---|
| 1.1 | Make | AAAG |
| 1.2 | Size | 63 mm |
| 1.3 | Inlet | Male Instantaneous Adaptor, 63 mm size with NRV |
| 1.4 | Outlet | Flange (63 mm), ANSI B 16.5 150# or equivalent |
| 1.5 | Material of Construction | Gunmetal |
| 1.6 | Reference | -- |

2.0 MATERIAL OF CONSTRUCTION

| | | |
|-----|--------------|--------------------------------|
| 2.1 | Male Adaptor | Gunmetal, IS:318 LTB-2 |
| 2.2 | Flange | Gunmetal, IS: 318 LTB-2 |
| 2.3 | Spring | Phosphor Bronze Wire- IS: 7608 |
| 2.4 | Seat Washer | Rubber, IS:937 Type A |

3.0 TESTING AND QUALITY CONTROL

| | | |
|-----|---------------------------|--|
| 3.1 | Dimensional check | See drawing below |
| 3.2 | Hydrostatic Pressure Test | 21 kgf/cm ² for 2.5 minutes |
| 3.3 | Documentation | Internal inspection report, supplier's certificates, approved laboratory test certificates |

4.0 OPERATIONAL/ TECHNICAL DATA

| | | |
|-----|------------------------|----------------------------|
| 4.1 | Working Pressure Range | upto 12 Kg/cm ² |
| 4.2 | Weight (approx.) | 4.6 Kgs. (approx) |

5.0 FINISH

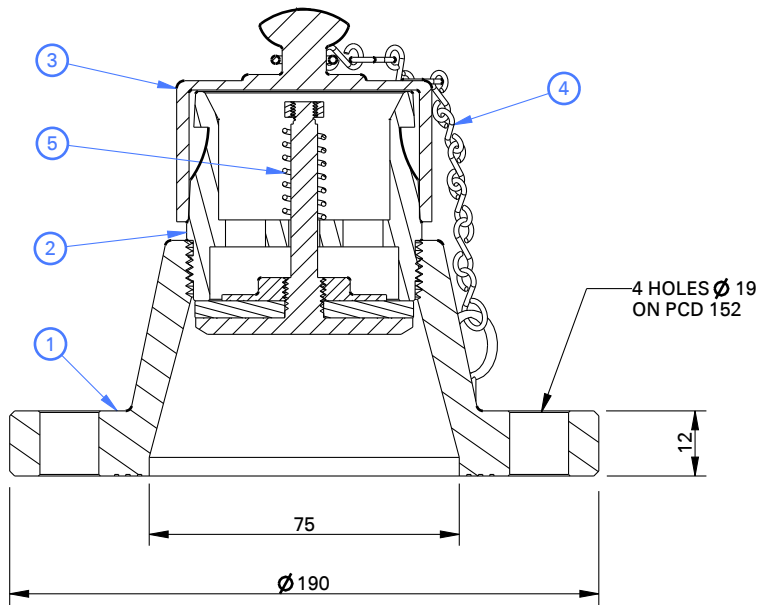
| | | |
|-----|---------|--------------------------|
| 5.1 | Adaptor | Polished (Inlet)/Painted |
|-----|---------|--------------------------|

6.0 APPROVALS & MARKING

| | | |
|-----|-----------|--------------------------|
| 6.1 | Approvals | -- |
| 6.2 | Marking | AAAG/ Year of Mfg./SI No |

7.0 WARRANTY

| | | |
|-----|----------------------|-----------------------------------|
| 7.1 | Warranty & Guarantee | 12 Months from the date of supply |
|-----|----------------------|-----------------------------------|



NOTES :

Hydraulic Pressure Test For Body : 21 KGF/CM2 (FOR 2 MIN.)

| | | |
|------------------|--------------------|-------------------|
| 1 | BODY | C.I |
| 2 | MALE INST. N.R.V | G.M. IS:318 LTB-2 |
| 3 | BLANK CAP | PVC |
| 4 | CHAIN | GALVENIZED |
| 5 | SPRING | IS: 7608 |
| NO. | DESCRIPTION | MATERIAL |
| PART LIST | | |



Shah Bhogilal Jethalal & Bros.

AHMEDABAD

TITLE :

Male Instantaneous (63 mm) With NRV x Flanged (63 mm) Adaptor Gunmetal

| SCALE | DRAWING NO: | SHEET | REV. |
|-------|-------------|--------|------|
| N.T.S | G1740-63BJ | 1 OF 1 | 0 |