

## ADAPTOR

**SS316, 63 mm, MALE INST x SHANK REDUCER**



Adaptors allow connection of delivery or suction hoses to different fittings/equipment, which have a dissimilar connecting arrangement, e.g. connecting hoses to equipment having threaded connections, connecting instantaneous hose couplings to flanged equipment, connecting hoses having similar couplings, or hoses of two different sizes, etc.

**Brief Description :** AAAG Male Instantaneous (63 mm) x Shank Reducer (19 mm) Adaptor, made of Stainless Steel (SS316), suitable for use with Hydrant valve outlets. Shank shall be suitable for mounting 19 mm (3/4") hose reel hose.

### 1.0 GENERAL DATA

1.1	Make	AAAG
1.2	Size	63 mm
1.3	Inlet	Male Instantaneous Adaptor, 63 mm size
1.4	Outlet	Shank (19 mm)
1.5	Material of Construction	Stainless Steel (SS316)
1.6	Reference	--

### 2.0 MATERIAL OF CONSTRUCTION

2.1	Adaptor	SS316, IS:3444 Grade IV
-----	---------	-------------------------

### 3.0 TESTING AND QUALITY CONTROL

3.1	Dimensional check	See drawing below
3.2	Hydrostatic Pressure Test	21 kgf/cm <sup>2</sup> for 2.5 minutes
3.3	Documentation	Internal inspection report, supplier's certificates, approved laboratory test certificates

### 4.0 OPERATIONAL/ TECHNICAL DATA

4.1	Working Pressure Range	Upto 12 Kgf/cm <sup>2</sup>
4.2	Weight (approx.)	0.75 Kgs. (approx)

### 5.0 FINISH

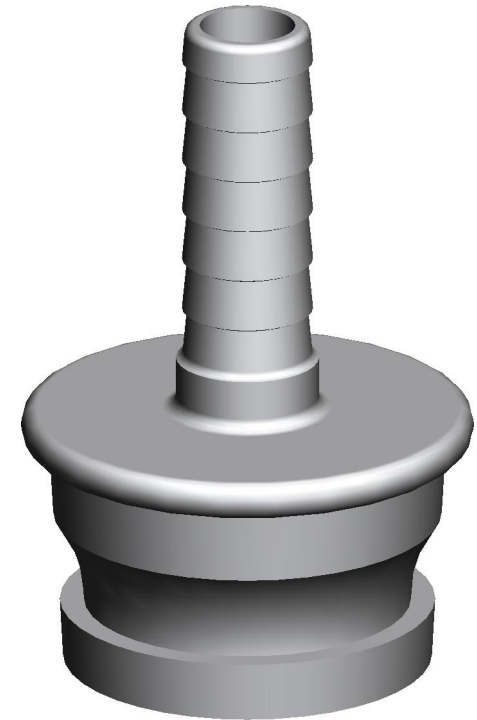
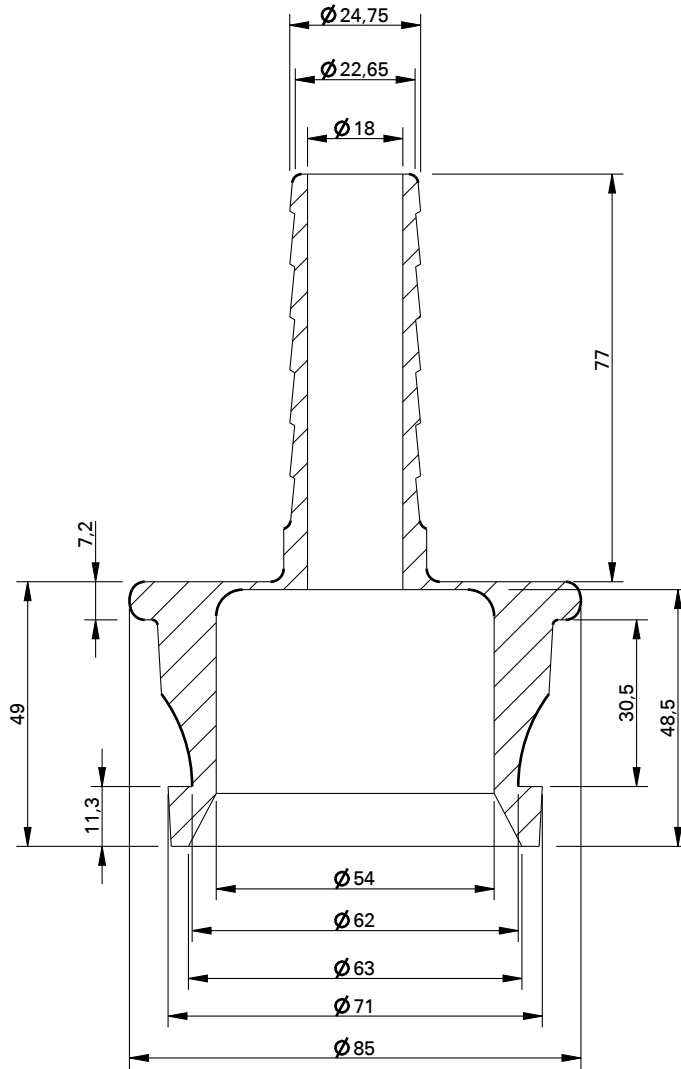
5.1	Adaptor	Polished
-----	---------	----------

### 6.0 APPROVALS & MARKING

6.1	Approvals	--
6.2	Marking	AAAG/ Year of Mfg./SI No

### 7.0 WARRANTY

7.1	Warranty & Guarantee	12 Months from the date of supply
-----	----------------------	-----------------------------------



**Shah Bhogilal Jethalal & Bros.**

AHMEDABAD

**TITLE :** Male Instantaneous (63 mm) x Shank  
(19 mm) Reducer, SS 316

SCALE	DRAWING NO:	SHEET	REV.
N.T.S	SM170-63BJ	1 OF 1	0