

ADAPTOR

SS304, 63 mm, MALE INST X MALE THREADED (SWIVEL)



Adaptors allow connection of delivery or suction hoses to different fittings/equipment, which have a dissimilar connecting arrangement, e.g. connecting hoses to equipment having threaded connections, connecting instantaneous hose couplings to flanged equipment, connecting hoses having similar couplings, or hoses of two different sizes, etc.

Brief Description : AAAG Male Instantaneous (63 mm) x Swivel type Female Threaded (63 mm, BSP) Adaptor, made of Stainless Steel (SS304), suitable for use with other standard Fire service equipment having matching Male Threaded (63 mm, BSP) connection. Swivel nut shall be provided with lugs for tightening.

1.0 GENERAL DATA

1.1	Make	AAAG
1.2	Size	63 mm
1.3	Inlet	Male Instantaneous Adaptor, 63 mm size
1.4	Outlet	Swivel type Threaded (63 mm, FBSP)
1.5	Material of Construction	Stainless Steel (SS304)
1.6	Reference	--

2.0 MATERIAL OF CONSTRUCTION

2.1	Male Adaptor	SS304, IS:3444 Grade I
2.2	Swivel	SS304, IS:3444 Grade I
2.3	Balls	SS304, IS:3444 Grade I
2.4	Washer	Rubber, IS:937

3.0 TESTING AND QUALITY CONTROL

3.1	Dimensional check	See drawing below
3.2	Hydrostatic Pressure Test	21 kgf/cm ² for 2.5 minutes
3.3	Documentation	Internal inspection report, supplier's certificates, approved laboratory test certificates

4.0 OPERATIONAL/ TECHNICAL DATA

4.1	Working Pressure Range	Upto 12 Kgf/cm ²
4.2	Weight (approx.)	1.3 Kgs. (approx)

5.0 FINISH

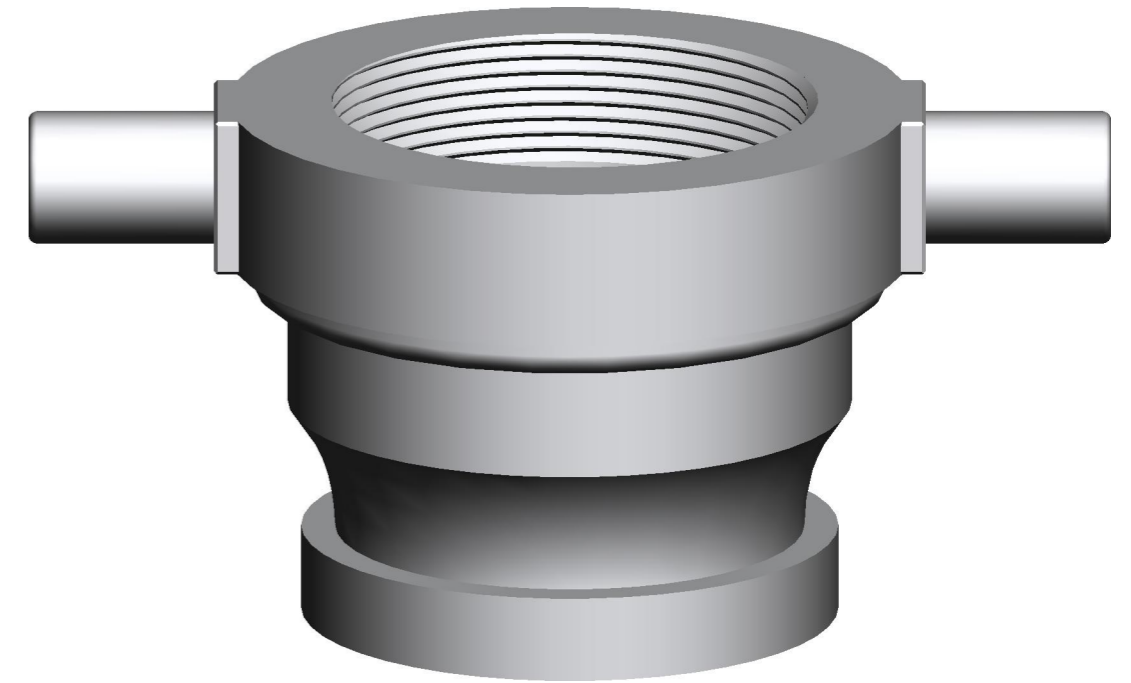
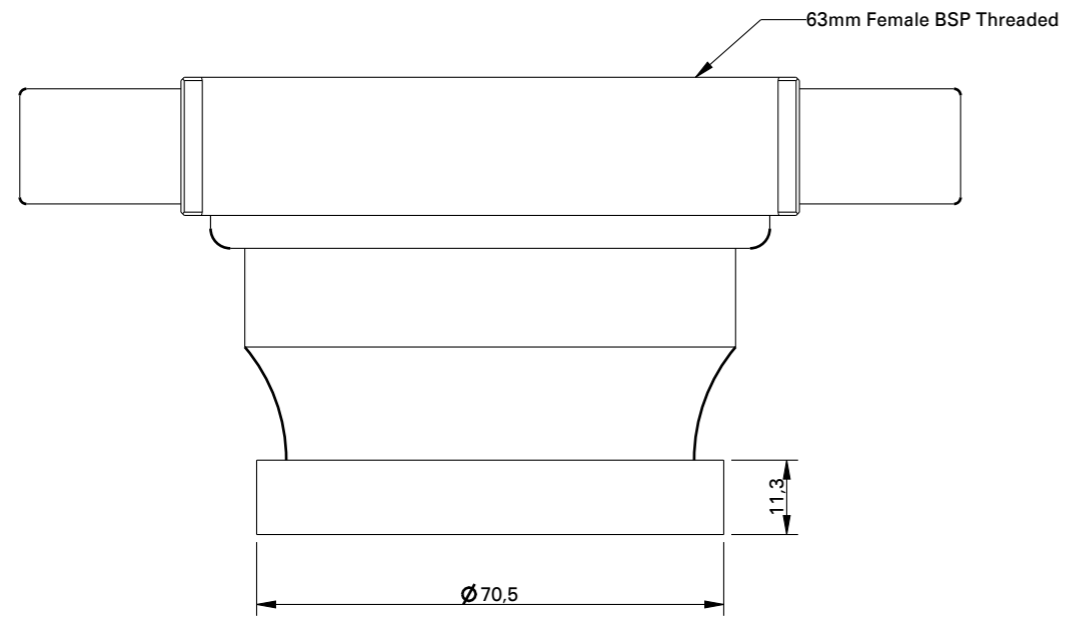
5.1	Adaptor	Polished
-----	---------	----------

6.0 APPROVALS & MARKING

6.1	Approvals	--
6.2	Marking	AAAG/ Year of Mfg./SI No

7.0 WARRANTY

7.1	Warranty & Guarantee	12 Months from the date of supply
-----	----------------------	-----------------------------------



Shah Bhogilal Jethalal & Bros.

AHMEDABAD

TITLE : Female Instantaneous (63 mm) X Female Instantaneous (BSP 63 mm) Swivel Adaptor, SS 304

SCALE	DRAWING NO:	SHEET	REV.
N.T.S	S166-63BJ	1 OF 1	0