

ADAPTOR

SS304, 100 mm, FEMALE INST X FEMALE ROUND THREADS



Adaptors allow connection of delivery or suction hoses to different fittings/equipment, which have a dissimilar connecting arrangement, e.g. connecting hoses to equipment having threaded connections, connecting instantaneous hose couplings to flanged equipment, connecting hoses having similar couplings, or hoses of two different sizes, etc.

Brief Description : AAAG Female Instantaneous (100 mm) x Female Round Threads (100 mm size) Adaptor, made of Stainless Steel (SS304), suitable for connection to Fire fighting equipment having matching male round threads, and hose having 100 mm male instantaneous coupling. Adaptor shall be provided with lugs for easy tightening.

1.0 GENERAL DATA

1.1	Make	AAAG
1.2	Size	100 mm
1.3	Inlet	Female Round Threads, 100 mm size
1.4	Outlet	Female Instantaneous adaptor, 100 mm size
1.5	Material of Construction	Stainless Steel (SS304)
1.6	Reference	--

2.0 MATERIAL OF CONSTRUCTION

2.1	Adaptor	SS304, IS:3444 Grade I
2.2	Lugs	SS304, IS:3444 Grade I
2.3	Cam Tooth	SS304, IS:3444 Grade I
2.4	Washers	Rubber, IS:937

3.0 TESTING AND QUALITY CONTROL

3.1	Dimensional check	See drawing below
3.2	Hydrostatic Pressure Test	21 kgf/cm ² for 2.5 minutes
3.3	Documentation	Internal inspection report, supplier's certificates, approved laboratory test certificates

4.0 OPERATIONAL/ TECHNICAL DATA

4.1	Working Pressure Range	Upto 12 Kgf/cm ²
4.2	Weight (approx.)	4.6 Kgs. (approx)

5.0 FINISH

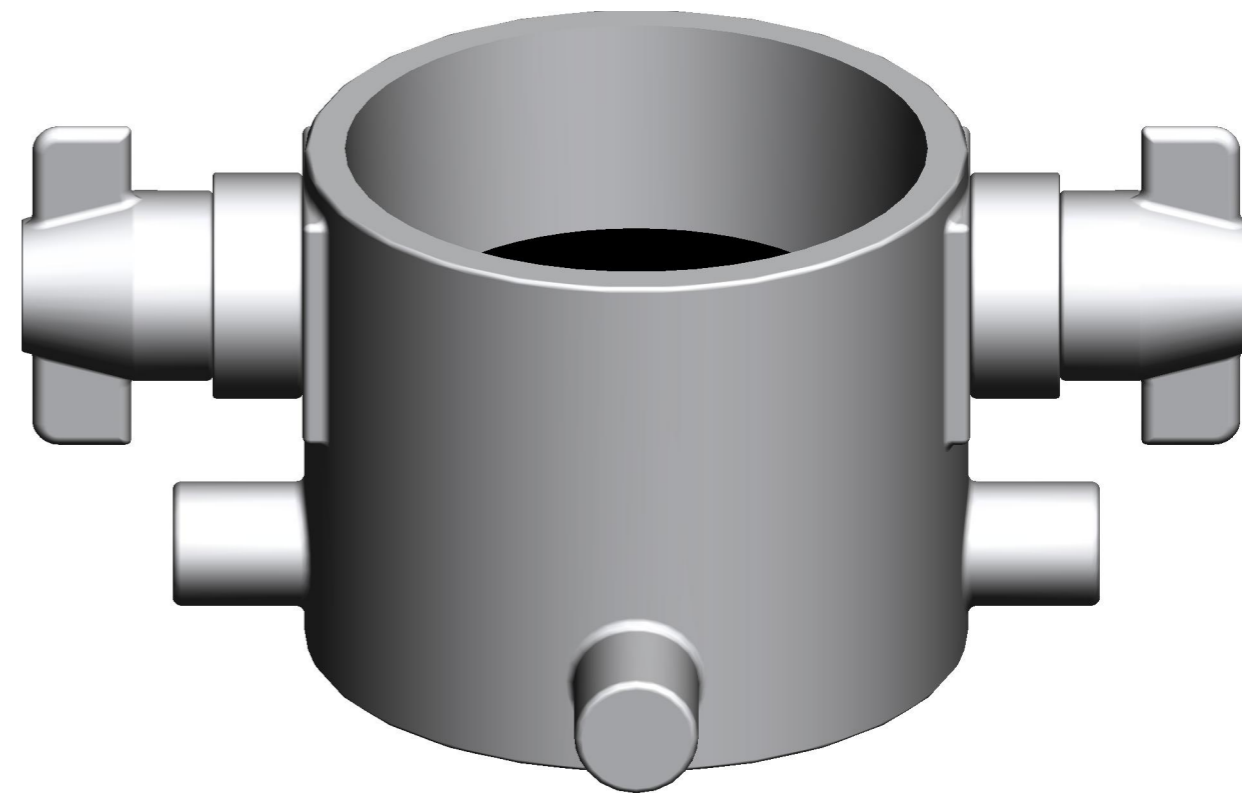
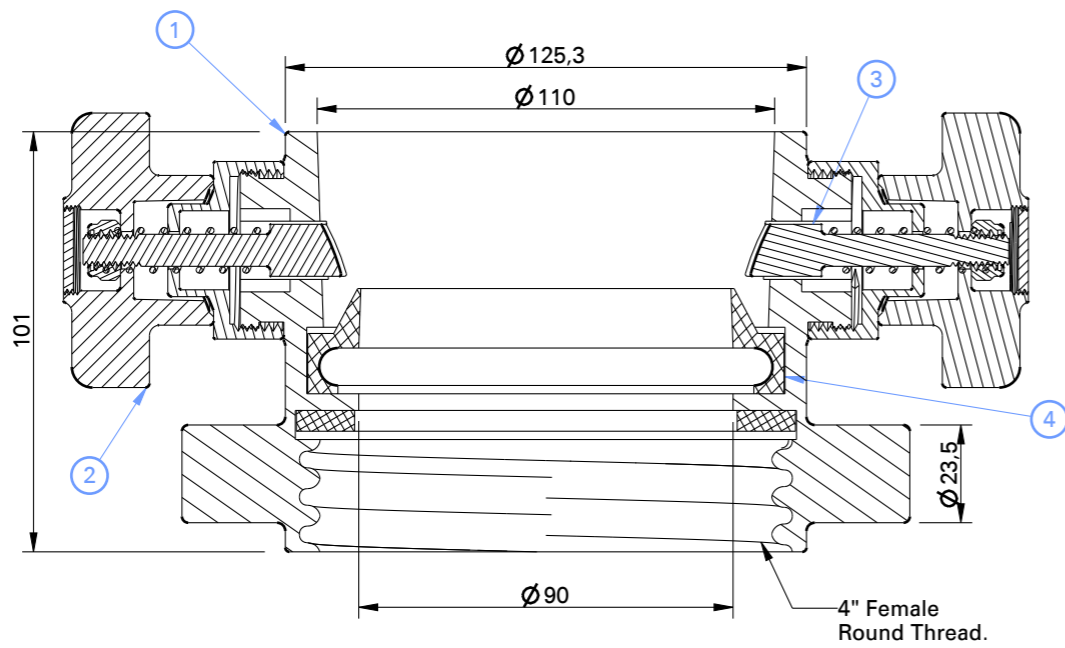
5.1	Adaptor	Natural finish
-----	---------	----------------

6.0 APPROVALS & MARKING

6.1	Approvals	--
6.2	Marking	AAAG/ Year of Mfg./SI No

7.0 WARRANTY

7.1	Warranty & Guarantee	12 Months from the date of supply
-----	----------------------	-----------------------------------



1	Adaptor	SS 304, IS:3444 Gr.1
2	Lugs	SS 304, IS:3444 Gr.1
3	Camtooth	SS 304, IS:3444 Gr.1
4	Washer	Rubber IS:937
NO.	DESCRIPTION	MATERIAL
PART LIST		



Shah Bhogilal Jethalal & Bros.

AHMEDABAD

TITLE :

Female Instantaneous (100 mm) X Female Round Threaded (100 mm) Adaptor, SS 304

SCALE

N.T.S

DRAWING NO:

S178-100BJ

SHEET

1 OF 1

REV.

0