

ADAPTOR

GUNMETAL, FEMALE INST (63 mm) X FLANGED (75 mm)



Adaptors allow connection of delivery or suction hoses to different fittings/equipment, which have a dissimilar connecting arrangement, e.g. connecting hoses to equipment having threaded connections, connecting instantaneous hose couplings to flanged equipment, connecting hoses having similar couplings, or hoses of two different sizes, etc.

Brief Description : AAAG Female Instantaneous (63 mm) x Flanged (75 mm, ANSI B 16.5 150# or equivalent) Adaptor, made of Gunmetal, suitable for connection to Fire fighting equipment having matching flange and hose having male instantaneous coupling.

1.0 GENERAL DATA

1.1	Make	AAAG
1.2	Size	63mm
1.3	Inlet	Flange (75 mm), ANSI B 16.5 150# or equivalent
1.4	Outlet	Female Instantaneous adaptor, 63mm size
1.5	Material of Construction	Gunmetal
1.6	Reference	--

2.0 MATERIAL OF CONSTRUCTION

2.1	Flange	Gunmetal, IS:318 LTB-2
2.2	Female Adaptor/Lug	Gunmetal, IS:318 LTB-2
2.3	Cam Tooth	Gunmetal, IS:318 LTB-2
2.4	Washer	Rubber, IS:937

3.0 TESTING AND QUALITY CONTROL

3.1	Dimensional check	See drawing below
3.2	Hydrostatic Pressure Test	21 kgf/cm ² for 2.5 minutes
3.3	Documentation	Internal inspection report, supplier's certificates, approved laboratory test certificates

4.0 OPERATIONAL/ TECHNICAL DATA

4.1	Working Pressure Range	Upto 12 Kgf/cm ²
4.2	Weight (approx.)	4.4 Kgs. (approx)

5.0 FINISH

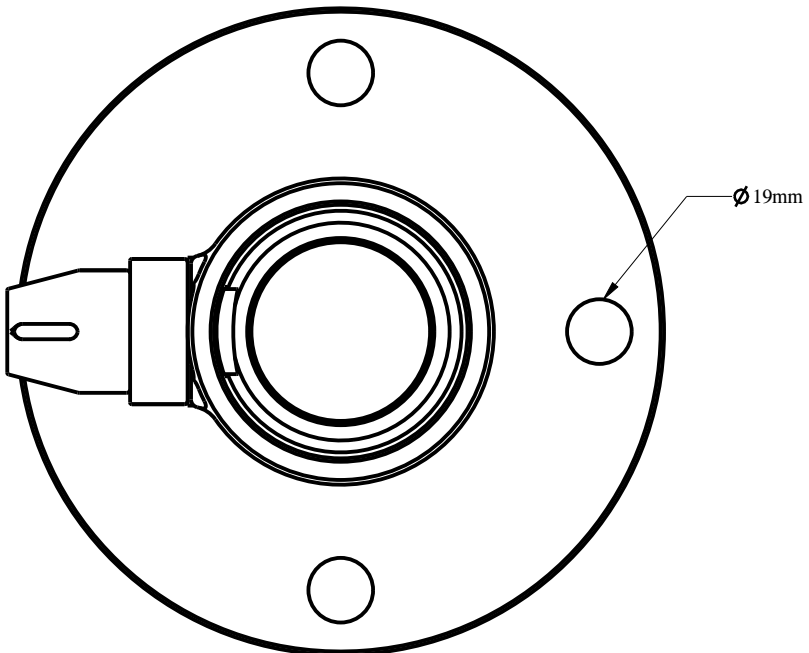
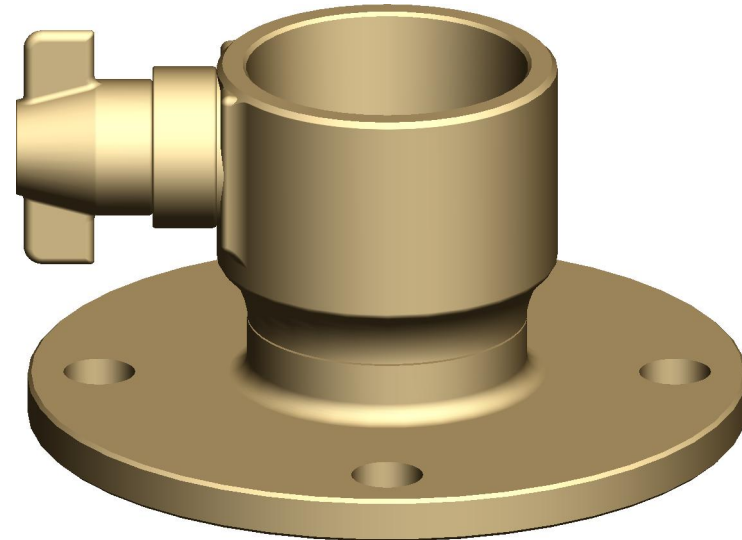
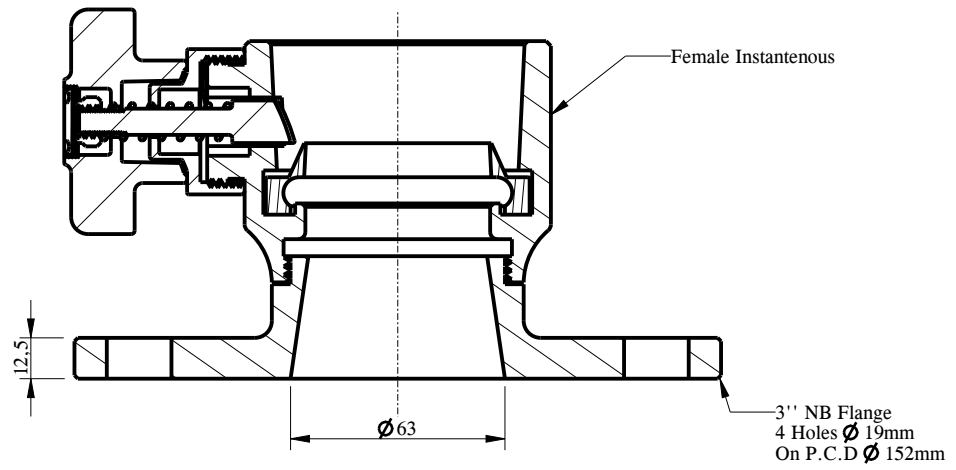
5.1	Adaptor	Polished
-----	---------	----------


6.0 APPROVALS & MARKING

6.1	Approvals	--
6.2	Marking	AAAG/ Year of Mfg./SI No

7.0 WARRANTY

7.1	Warranty & Guarantee	12 Months from the date of supply
-----	----------------------	-----------------------------------



 Shah Bhogilal Jethalal & Bros. AHMEDABAD			
TITLE : Female Instantenous (63 mm) x Flanged (75 mm) Adaptor, Gunmetal			
SCALE	DRAWING NO:	SHEET	REV.
N.T.S	G173-63BJ	1 OF 1	0