

ADAPTOR

SS316, 63 mm, FEMALE INST X MALE INST



Adaptors allow connection of delivery or suction hoses to different fittings/equipment, which have a dissimilar connecting arrangement, e.g. connecting hoses to equipment having threaded connections, connecting instantaneous hose couplings to flanged equipment, connecting hoses having similar couplings, or hoses of two different sizes, etc.

Brief Description : AAAG Female Instantaneous (38 mm) x Male Instantaneous (63 mm) Adaptor, made of Stainless Steel (SS316) suitable for connection to Fire fighting equipment/hoses, having matching Male (38 mm) and Female (63 mm) Instantaneous couplings.

1.0 GENERAL DATA

1.1	Make	AAAG
1.2	Size	63mm
1.3	Inlet	Male Instantaneous adaptor, 63mm size
1.4	Outlet	Female Instantaneous adaptor, 63mm size
1.5	Material of Construction	Stainless Steel (SS316)
1.6	Reference	--

2.0 MATERIAL OF CONSTRUCTION

2.1	Adaptor	SS316, IS:3444 Grade IV
2.2	Lug	SS316, IS:3444 Grade IV
2.3	Cam Tooth	SS316, IS:3444 Grade IV
2.4	Washer	Rubber, IS:937

3.0 TESTING AND QUALITY CONTROL

3.1	Dimensional check	See drawing below
3.2	Hydrostatic Pressure Test	21 kgf/cm ² for 2.5 minutes
3.3	Documentation	Internal inspection report, supplier's certificates, approved laboratory test certificates

4.0 OPERATIONAL/ TECHNICAL DATA

4.1	Working Pressure Range	Upto 12 Kg/cm ²
4.2	Weight (approx.)	1.8 Kgs. (approx)

5.0 FINISH

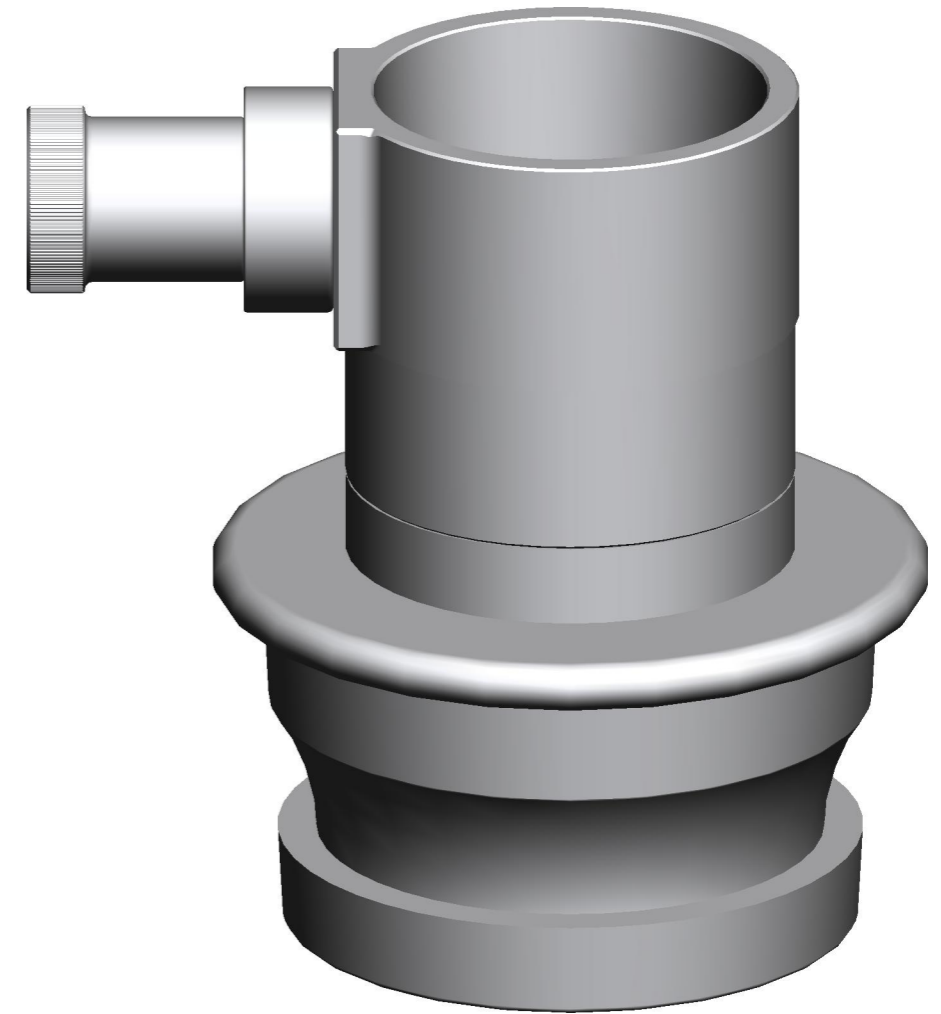
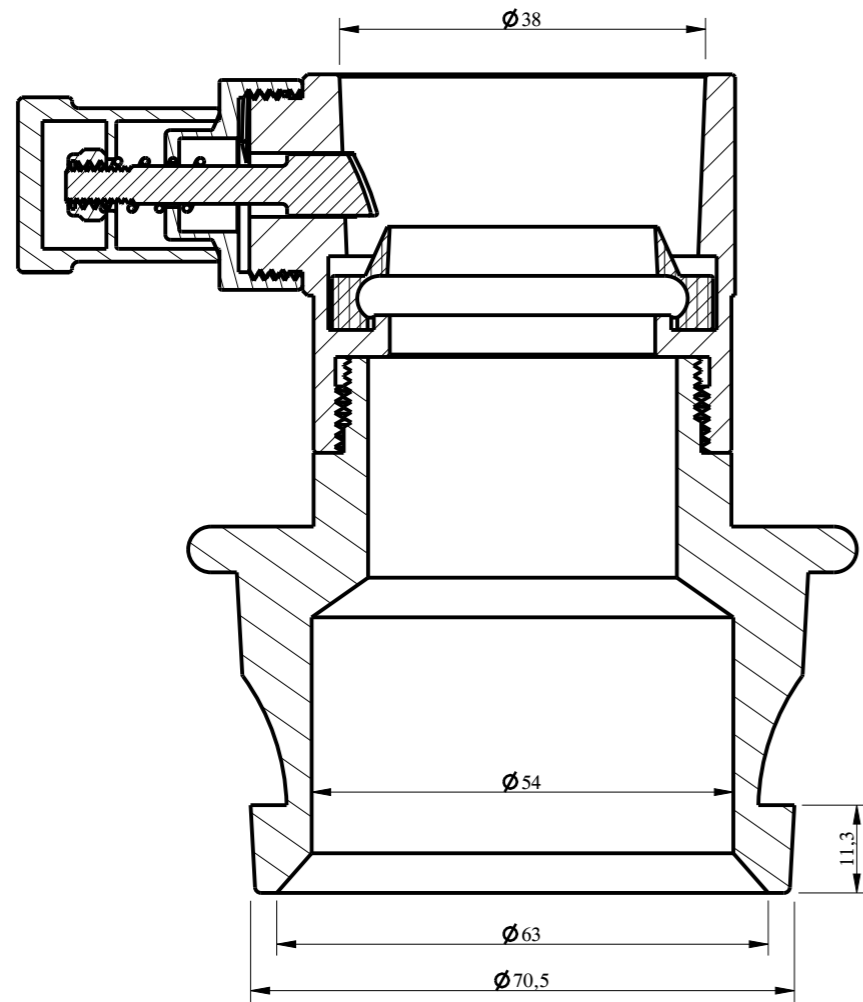
5.1	Adaptor	Polished
-----	---------	----------

6.0 APPROVALS & MARKING

6.1	Approvals	--
6.2	Marking	AAAG/ Year of Mfg./SI No

7.0 WARRANTY

7.1	Warranty & Guarantee	12 Months from the date of supply
-----	----------------------	-----------------------------------



Shah Bhogilal Jethalal & Bros.

AHMEDABAD

TITLE :

Female Instantaneous (38 mm) X
Male Instantaneous (63 mm) Adaptor, SS 316

SCALE

DRAWING NO:

SHEET

REV.

N.T.S

SM165-63BJ

1 OF 1

0