

ADAPTOR

SS304, 63 mm, FEMALE INSTANTENOUS X MALE THREADED



Adaptors allow connection of delivery or suction hoses to different fittings/equipment, which have a dissimilar connecting arrangement, e.g. connecting hoses to equipment having threaded connections, connecting instantaneous hose couplings to flanged equipment, connecting hoses having similar couplings, or hoses of two different sizes, etc.

Brief Description : AAAG Female Instantaneous (63 mm) x Male Threaded (2¼"MBSP) Adaptor, made of Stainless Steel (SS304), suitable for connection to Fire service equipment having matching Female (2¼"FBSP) threads. The Female outlet shall be matching to standard male Instantaneous Hose Coupling.

1.0 GENERAL DATA

1.1	Make	AAAG
1.2	Size	63mm
1.3	Inlet	Threaded (2¼"MBSP)
1.4	Outlet	Female Instantaneous adaptor, 63mm size
1.5	Material of Construction	Stainless Steel (SS304)
1.6	Reference	--

2.0 MATERIAL OF CONSTRUCTION

2.1	Adaptor	SS304, IS:3444 Grade I
2.2	Lugs	SS304, IS:3444 Grade I
2.3	Cam Tooth	SS304, IS:3444 Grade I
2.4	Washer	Rubber, IS:937

3.0 TESTING AND QUALITY CONTROL

3.1	Dimensional check	See drawing below
3.2	Hydrostatic Pressure Test	21 kgf/cm ² for 2.5 minutes
3.3	Documentation	Internal inspection report, supplier's certificates, approved laboratory test certificates

4.0 OPERATIONAL/ TECHNICAL DATA

4.1	Working Pressure Range	5 to 12 Kg/cm ²
4.2	Weight (approx.)	4.5 Kgs. (approx)

5.0 FINISH

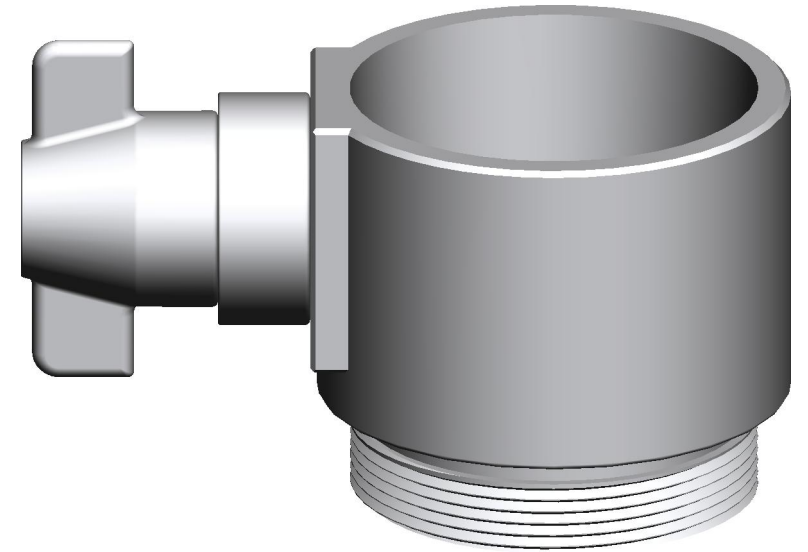
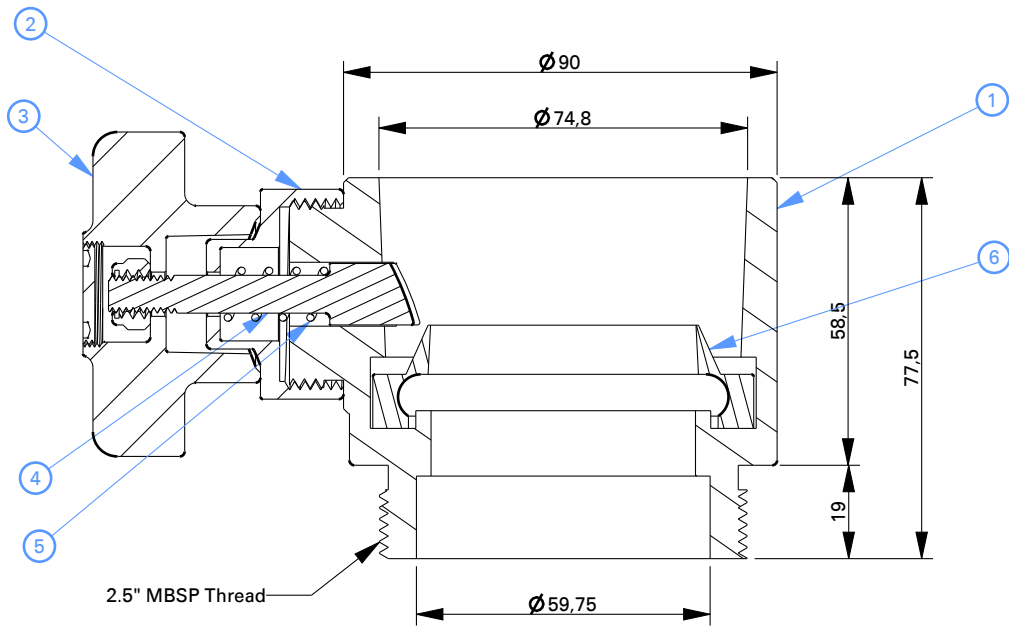
5.1	Adaptor	Polished
-----	---------	----------

6.0 APPROVALS & MARKING

6.1	Approvals	--
6.2	Marking	AAAG/ Year of Mfg./SI No

7.0 WARRANTY

7.1	Warranty & Guarantee	12 Months from the date of supply
-----	----------------------	-----------------------------------



1	Female Coupling	SS 304 IS: 3444 Gr.1
2	Lower Lug	SS 304 IS: 3444 Gr.1
3	Upper Lug	SS 304 IS: 3444 Gr.1
4	Cam Tooth	SS 304 IS: 3444 Gr.1
5	Spring	IS: 6528
6	Washer	Rubber IS: 937
NO	DESCRIPTION	MATERIAL
PART LIST		



Shah Bhogilal Jethalal & Bros.

AHMEDABAD

TITLE : Female Instantaneous (63 mm) x Male Threaded (BSP, 63 mm) Adaptor, SS 304

SCALE	DRAWING NO:	SHEET	REV.
N.T.S	S164-63BJ	1 OF 1	0