

## ADAPTOR

**GUNMETAL, 63 mm, FEMALE INSTANTENOUS (AS PER IS:5290)**



Adaptors allow connection of delivery or suction hoses to different fittings/equipment, which have a dissimilar connecting arrangement, e.g. connecting hoses to equipment having threaded connections, connecting instantaneous hose couplings to flanged equipment, connecting hoses having similar couplings, or hoses of two different sizes, etc.

**Brief Description :** AAAG Female Instantaneous (63 mm) x Female Threaded (2¼"FBSP) Adaptor, as per IS:5290, made of Gunmetal, suitable for connection to Hydrant valve threaded outlet/s (as per IS:5290) and other equipment having matching male threads. Female outlet shall be matching to standard male Instantaneous Hose Coupling.

### 1.0 GENERAL DATA

1.1	Make	AAAG
1.2	Size	63mm
1.3	Inlet	Threaded (2¼"FBSP)
1.4	Outlet	Female Instantaneous adaptor, 63mm size
1.5	Material of Construction	Gunmetal
1.6	Reference	IS:5290

### 2.0 MATERIAL OF CONSTRUCTION

2.1	Adaptor	Gunmetal, IS:318 LTB-2
2.2	Lug	Gunmetal, IS:318 LTB-2
2.3	Cam Tooth	Gunmetal, IS:318 LTB-2
2.4	Washer	Rubber, IS:937

### 3.0 TESTING AND QUALITY CONTROL

3.1	Dimensional check	See drawing below
3.2	Hydrostatic Pressure Test	21 kgf/cm <sup>2</sup> for 2.5 minutes
3.3	Documentation	Internal inspection report, supplier's certificates, approved laboratory test certificates

### 4.0 OPERATIONAL/ TECHNICAL DATA

4.1	Working Pressure Range	Upto 12 Kg/cm <sup>2</sup>
4.2	Weight (approx.)	1.8 Kgs. (approx)

### 5.0 FINISH

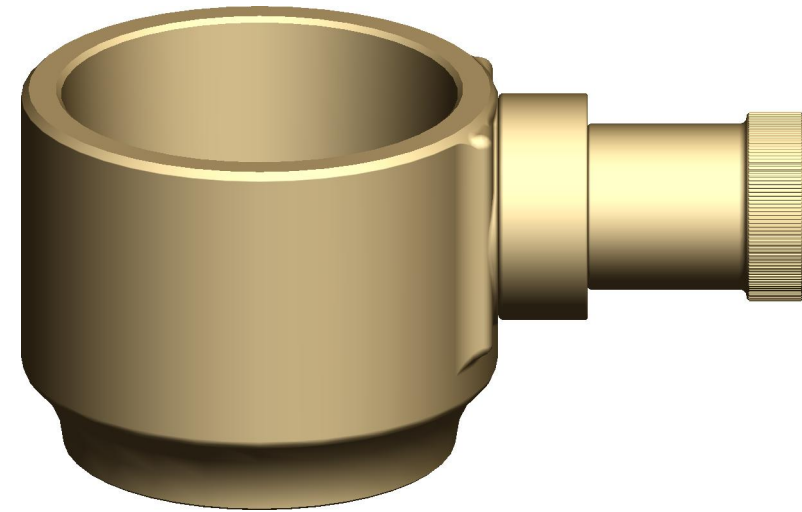
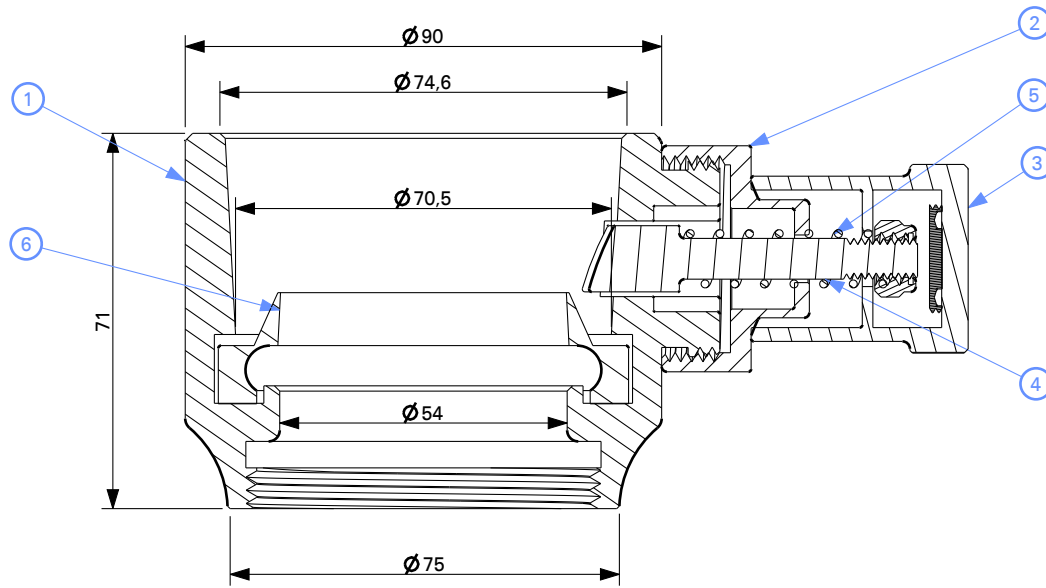
5.1	Adaptor	Polished
-----	---------	----------

### 6.0 APPROVALS & MARKING

6.1	Approvals	--
6.2	Marking	AAAG/ Year of Mfg./SI No

### 7.0 WARRANTY

7.1	Warranty & Guarantee	12 Months from the date of supply
-----	----------------------	-----------------------------------



1	Female Coupling	G.M IS: 318 LTB-2
2	Lower Lug	G.M IS: 318 LTB-2
3	Upper Lug	G.M IS: 318 LTB-2
4	Cam Tooth	G.M IS: 318 LTB-2
5	Spring	IS: 7608
6	Washer	Rubber IS: 937
<b>NO.</b>	<b>DESCRIPTION</b>	<b>MATERIAL</b>
<b>PART LIST</b>		



**Shah Bhogilal Jethalal & Bros.**

AHMEDABAD

**TITLE :**  
Female Instantaneous (63 mm) Adaptor  
Threaded Gunmetal, As Per IS: 5290

SCALE	DRAWING NO:	SHEET	REV.
N.T.S	G162-63AS	1 OF 1	0