

ADAPTOR

SS316, 63 mm, FEMALE INST X FEMALE THREADED



Adaptors allow connection of delivery or suction hoses to different fittings/equipment, which have a dissimilar connecting arrangement, e.g. connecting hoses to equipment having threaded connections, connecting instantaneous hose couplings to flanged equipment, connecting hoses having similar couplings, or hoses of two different sizes, etc.

Brief Description : AAAG Female Instantaneous (63 mm) x Female Threaded (63 mm, FBSP) Adaptor, made of Stainless Steel (SS316), suitable for use with other standard Fire service equipment having matching Male Threads (63 mm, BSP) connections. Female outlet shall be matching to standard male Instantaneous Hose Coupling

1.0 GENERAL DATA

1.1	Make	AAAG
1.2	Size	63mm
1.3	Inlet	Threaded (63 mm FBSP)
1.4	Outlet	Female Instantaneous adaptor, 63mm size
1.5	Material of Construction	Stainless Steel (SS316)
1.6	Reference	--

2.0 MATERIAL OF CONSTRUCTION

2.1	Adaptor	SS316, IS:3444 Grade IV
2.2	Lug	SS316, IS:3444 Grade IV
2.3	Cam Tooth	SS316, IS:3444 Grade IV
2.5	Washer	Rubber, IS:937

3.0 TESTING AND QUALITY CONTROL

3.1	Dimensional check	See drawing below
3.2	Hydrostatic Pressure Test	21 kgf/cm ² for 2.5 minutes
3.3	Documentation	Internal inspection report, supplier's certificates, approved laboratory test certificates

4.0 OPERATIONAL/ TECHNICAL DATA

4.1	Working Pressure Range	Upto 12 Kgf/cm ²
4.2	Weight (approx.)	1.8 Kgs. (approx)

5.0 FINISH

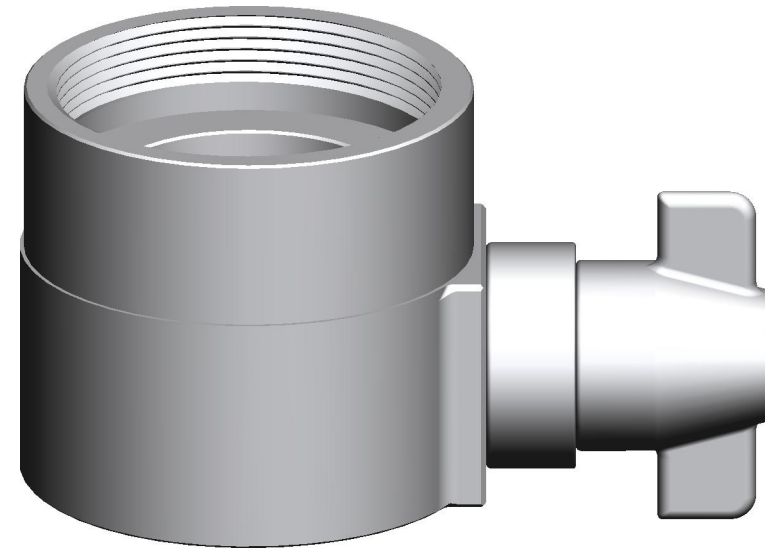
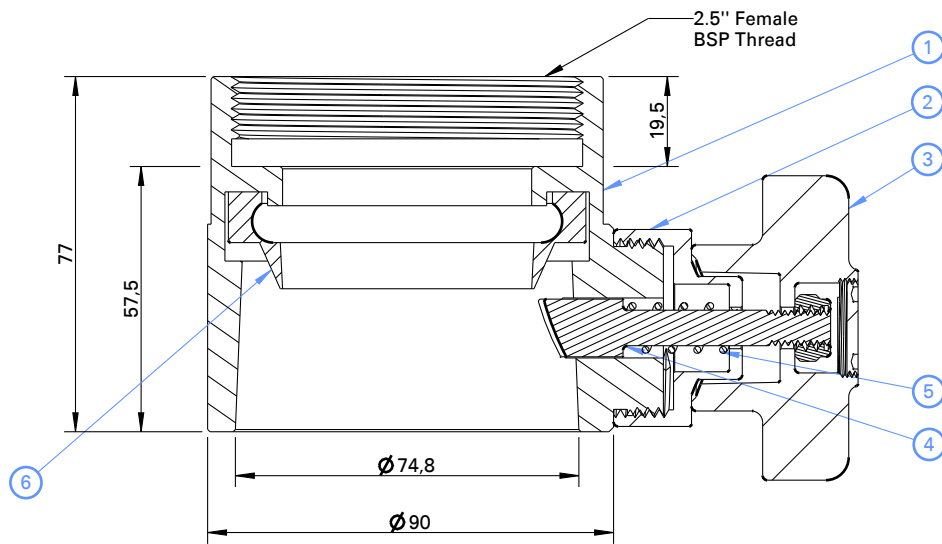
5.1	Adaptor	Polished
-----	---------	----------

6.0 APPROVALS & MARKING

6.1	Approvals	--
6.2	Marking	AAAG/ Year of Mfg./SI No

7.0 WARRANTY

7.1	Warranty & Guarantee	12 Months from the date of supply
-----	----------------------	-----------------------------------



1	Female Coupling	SS 316 IS:3444 Gr.4
2	Lower Lug	SS 316 IS:3444 Gr.4
3	Upper Lug	SS 316 IS:3444 Gr.4
4	Cam Tooth	SS 316 IS:3444 Gr.4
5	Spring	IS: 6528
6	Washer	Rubber IS: 937
NO.	DESCRIPTION	MATERIAL
PART LIST		



Shah Bhogilal Jethalal & Bros.

AHMEDABAD

TITLE : Female Instantaneous (63 mm) x Female Threaded (BSP, 63 mm), Adaptor, SS 316

SCALE	DRAWING NO:	SHEET	REV.
N.T.S	SM161-63BJ	1 OF 1	0