

ADAPTOR

GUNMETAL, 63 mm, FEMALE INST X FEMALE THREADED



Adaptors allow connection of delivery or suction hoses to different fittings/equipment, which have a dissimilar connecting arrangement, e.g. connecting hoses to equipment having threaded connections, connecting instantaneous hose couplings to flanged equipment, connecting hoses having similar couplings, or hoses of two different sizes, etc.

Brief Description : AAAG Female Instantaneous (63 mm) x Female Threaded (63 mm, FBSP) Adaptor, made of Gunmetal, suitable for use with other standard Fire service equipment having matching Male Threaded (63 mm, BSP) connections. Female outlet matching to standard male Instantaneous Hose Coupling.

1.0 GENERAL DATA

1.1	Make	AAAG
1.2	Size	63mm
1.3	Inlet	Threaded (63 mm FBSP)
1.4	Outlet	Female Instantaneous adaptor, 63mm size
1.5	Material of Construction	Gunmetal
1.6	Reference	--

2.0 MATERIAL OF CONSTRUCTION

2.1	Adaptor	Gunmetal, IS:318 LTB-2
2.2	Lug	Gunmetal, IS:318 LTB-2
2.3	Cam Tooth	Gunmetal, IS:318 LTB-2
2.5	Washer	Rubber, IS:937

3.0 TESTING AND QUALITY CONTROL

3.1	Dimensional check	See drawing below
3.2	Hydrostatic Pressure Test	21 kgf/cm ² for 2.5 minutes
3.3	Documentation	Internal inspection report, supplier's certificates, approved laboratory test certificates

4.0 OPERATIONAL/ TECHNICAL DATA

4.1	Working Pressure Range	upto 12 Kgf/cm ²
4.2	Weight (approx.)	2.0 Kgs. (approx)

5.0 FINISH

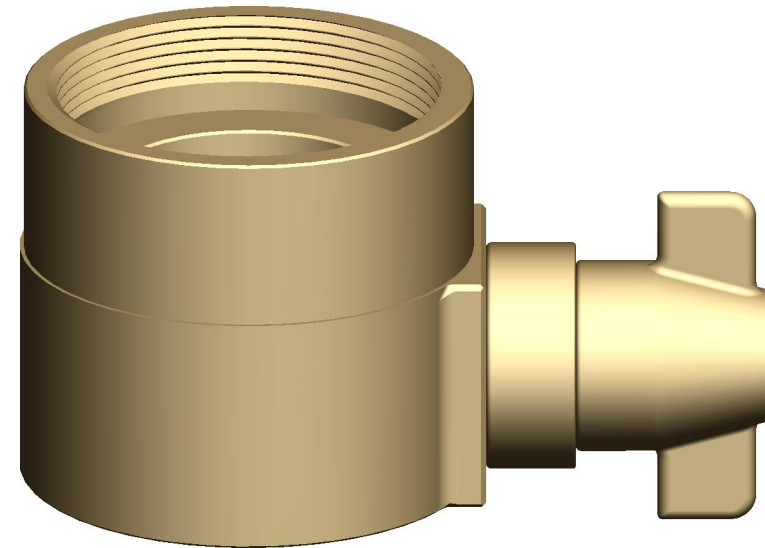
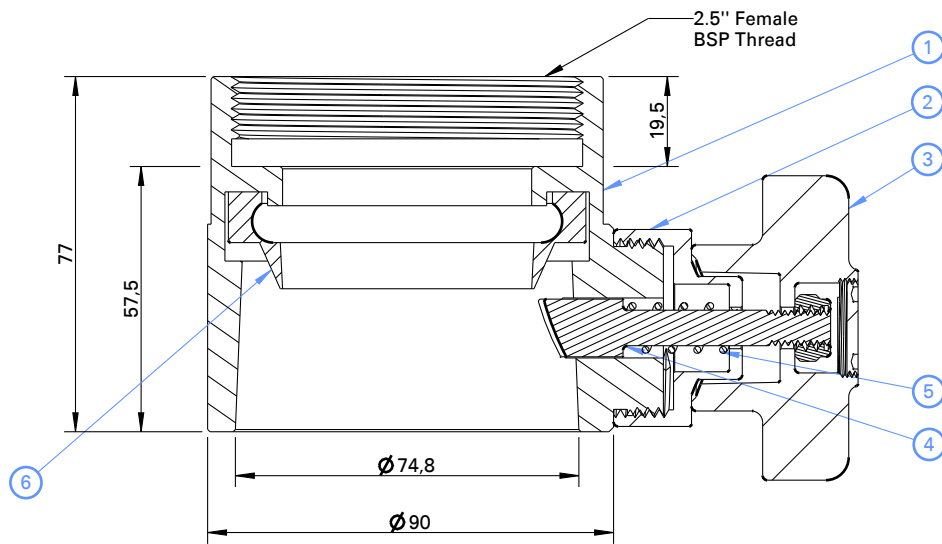
5.1	Adaptor	Polished
-----	---------	----------

6.0 APPROVALS & MARKING

6.1	Approvals	--
6.2	Marking	AAAG/ Year of Mfg./SI No

7.0 WARRANTY

7.1	Warranty & Guarantee	12 Months from the date of supply
-----	----------------------	-----------------------------------



1	Female Coupling	G.M IS: 318, LTB-2
2	Lower Lug	G.M IS: 318, LTB-2
3	Upper Lug	G.M IS: 318, LTB-2
4	Cam Tooth	G.M IS: 318, LTB-2
5	Spring	IS: 7608
6	Washer	Rubber IS: 937
NO.	DESCRIPTION	MATERIAL
PART LIST		



Shah Bhogilal Jethalal & Bros.

AHMEDABAD

TITLE : Female Instantaneous (63 mm) x Female Threaded (BSP, 63 mm), Adaptor, Gunmetal

SCALE	DRAWING NO:	SHEET	REV.
N.T.S	G161-63BJ	1 OF 1	0