

AIR RELEASE VALVE

SS304, 25 mm



Air Release valves are fitted on the topmost points of Dry Risers, their main purpose being to release the air when water is pumped into the Riser. A floating ball arrangement inside the valve housing allows air to be released, but blocks the outlet when water reaches the valve, allowing pressure to build up in the Riser.

Brief Description : AAAG Air Release Valve, made of Stainless Steel (SS304), 25 mm size MBSP threaded Inlet. The valve housing shall incorporate suitable arrangement (with ball) to release air from the riser when being filled with water, but close the opening when water reaches the valve.

1.0 GENERAL DATA

1.1	Make	AAAG
1.2	Model	Air Release Valve
1.3	Inlet	25 mm size Male BSP Threads
1.4	Outlet	Air Release arrangement
1.5	Material of Construction	Stainless Steel (SS304)
1.6	Reference	SBJ Drawing (See below)

2.0 MATERIAL OF CONSTRUCTION

2.1	Body	SS304, IS:3444, Grade I
2.2	Air Vent	SS304, IS:3444, Grade I
2.3	Top Cap	SS304, IS:3444, Grade I
2.4	Ball	Rubber coated Cork

3.0 TESTING AND QUALITY CONTROL

3.1	Dimensional check	See drawing below
3.2	Hydrostatic Pressure Test	21 Kgf/cm ² for 2.5 minutes
3.3	Documentation	Internal inspection report, supplier's certificates, approved laboratory test certificates

4.0 OPERATIONAL/ TECHNICAL DATA

4.1	Working pressure	7 kgf/cm ²
4.2	Weight (approx.)	4.5 Kgs. (approx)

5.0 FINISH

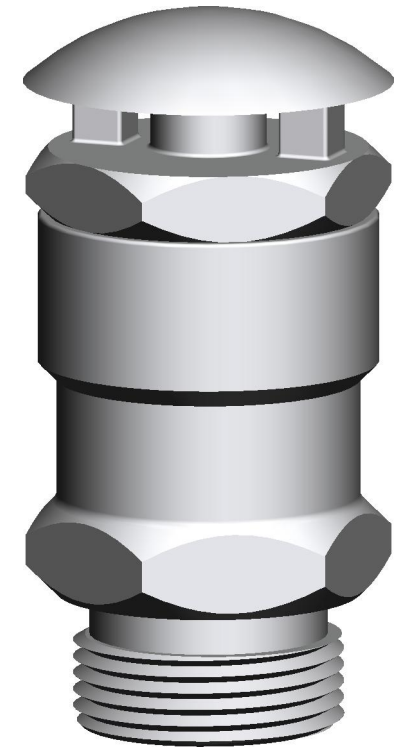
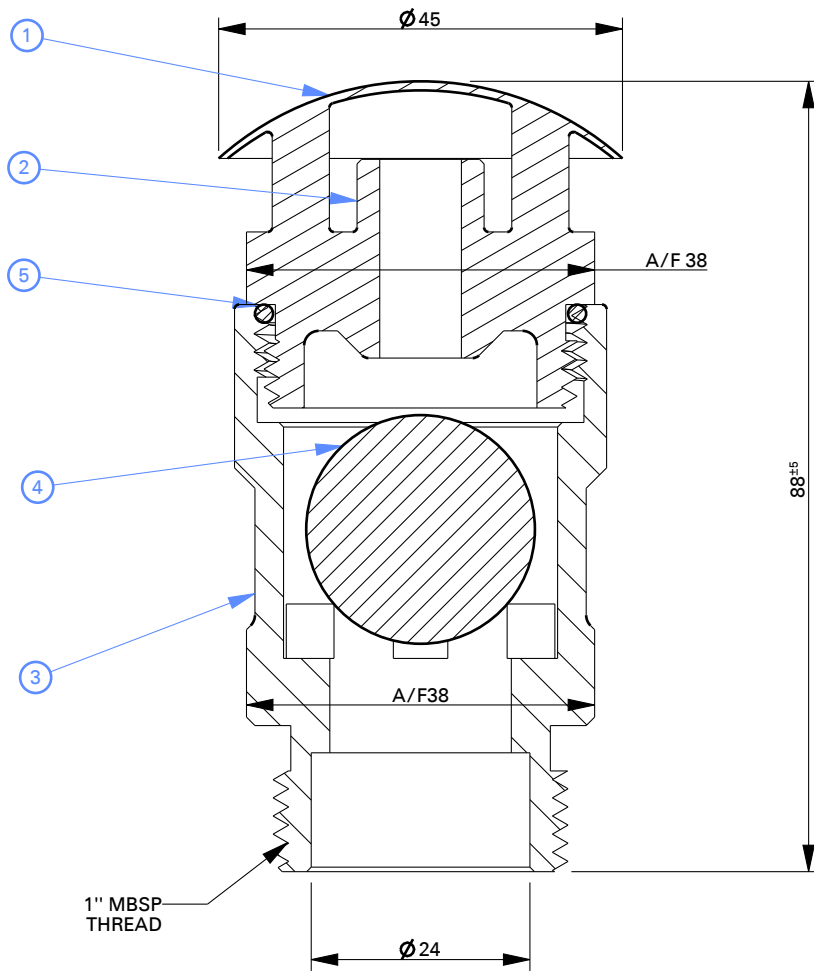
5.1	Body	Polished
-----	------	----------

6.0 APPROVALS & MARKING

6.1	Approvals	--
6.2	Marking	AAAG/ Year of Mfg./SI No

7.0 WARRANTY

7.1	Warranty & Guarantee	12 Months from the date of supply
-----	----------------------	-----------------------------------



NOTES :

Hydrotest Pressure : 15 KGF/CM2

1	TOP	SS 304 (IS: 3444 Gr.1)
2	AIR VENT BODY	SS 304 (IS: 3444 Gr.1)
3	BODY	SS 304 (IS: 3444 Gr.1)
4	BALL	RUBBER COATED
5	O' RING	RUBBER
NO	DESCRIPTION	MATERIAL
PART LIST		



Shah Bhogilal Jethalal & Bros.

AHMEDABAD

TITLE :

Air Release Valve, 25 mm Size, SS 304

SCALE	DRAWING NO:	SHEET	REV.
N.T.S	S152-25BJ	1 OF 1	0