

FIRE BRIGADE INLET (3 WAY)

CAST IRON, 63 mm



Fire Brigade Inlet (also called Pumping In Breech) allows Fire Tenders (Pumpers) to pump in water into the Dry Riser/ Wet Riser/ Sprinkler system piping using external water sources such as hydrants. Fire Brigade Inlet is fitted with required number of standard Male Instantaneous inlets to feed the Riser pipe depending upon size.

Brief Description : AAAG Fire Brigade Inlet (Pumping in Breech), having Cast Iron body with 3 Nos. 63 mm size Gunmetal Male Instantaneous inlets (with NRV) and 100 mm size flanged outlet, suitable for connection to Dry Riser piping. Fire Brigade inlet body shall be provided with drain valve for draining water after operation.

1.0 GENERAL DATA

1.1	Make	AAAG
1.2	Model	3-Way FB Inlet
1.3	Inlet	3 Nos Male Instantaneous Adaptor (63 mm) with NRV
1.4	Outlet	100 mm NB Flanged (IS: 1538 / ANSI B 16.5 150#)
1.5	Material of Construction	Cast Iron Body with Gunmetal Inlet Adaptors
1.6	Reference	SBJ Drawing (See below)

2.0 MATERIAL OF CONSTRUCTION

2.1	Body/Flange	Cast Iron, FG 200 IS:210-1978
2.2	Male Adaptors	Gunmetal, IS: 318 LTB-2
2.3	Drain Valve	Gunmetal, IS: 318 LTB-2
2.4	Inlet Caps/Seat Washer	Rubber, IS:937 Type A

3.0 TESTING AND QUALITY CONTROL

3.1	Dimensional check	See drawing below
3.2	Hydrostatic Pressure Test	21 Kgf/cm ² for 2.5 minutes
3.3	Documentation	Internal inspection report, supplier's certificates, approved laboratory test certificates

4.0 OPERATIONAL/ TECHNICAL DATA

4.1	Working Pressure	7 Kgf/cm ²
4.2	Weight (approx.)	18.0 Kgs. (approx)

5.0 FINISH

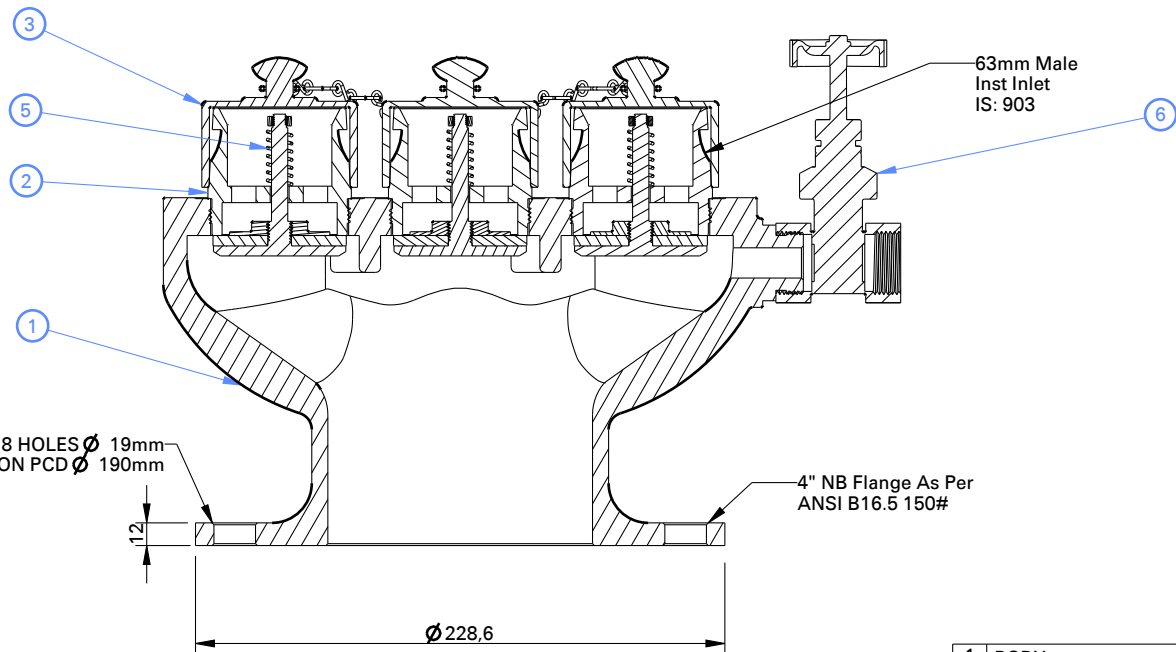
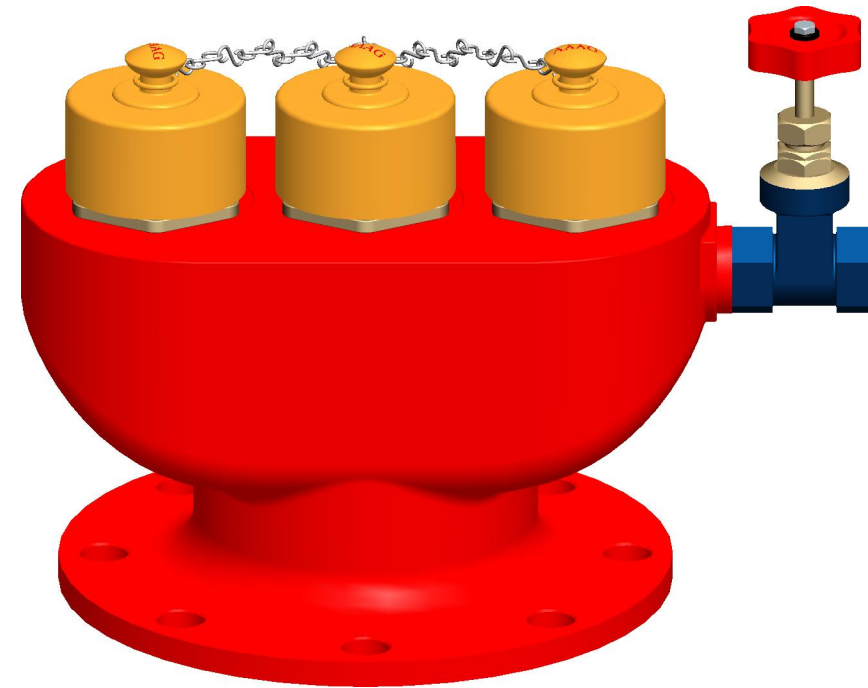
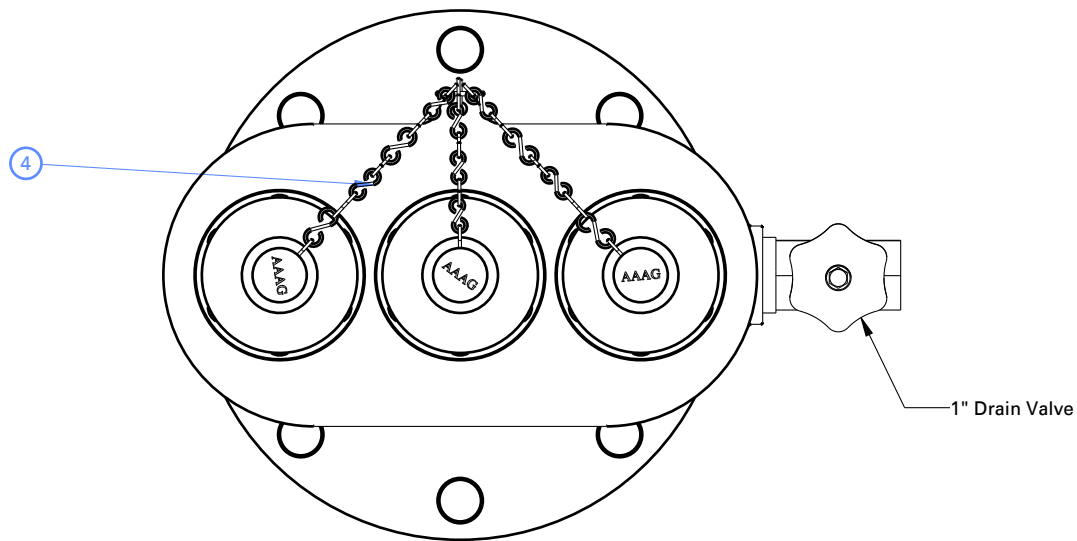
5.1	Body	Painted - Fire Red Color
5.2	Male Adaptor	Polished

6.0 APPROVALS & MARKING

6.1	Approvals	--
6.2	Marking	AAAG/ Year of Mfg./SI No

7.0 WARRANTY

7.1	Warranty & Guarantee	12 Months from the date of supply
-----	----------------------	-----------------------------------



NOTES :

Hydraulic Pressure Test For Body : 21 KGF/CM2 (FOR 2 MIN.)

1	BODY	CAST IRON IS: 210
2	MALE INST. N.R.V	G.M. IS:318 LTB-2
3	BLANK CAP	PVC
4	CHAIN	GALVENIZED
5	SPRING	IS: 7608
6	DRAIN VALVE	BRASS
NO	DESCRIPTION	MATERIAL
PART LIST		



Shah Bhogilal Jethalal & Bros.

AHMEDABAD

TITLE : Fire Brigade Inlet, 3 Way
(Male Instantenous With NRV) Cast Iron

SCALE	DRAWING NO:	SHEET	REV.
N.T.S	C153-63BJ	1 OF 1	0