

MALE INLET SUCTION ADAPTOR

GUNMETAL, 63 mm MALE INST X 100 mm FRT



Male Inlet Suction Adaptor is useful where it is required to feed the pump using water from hydrant supply and soft suction hose. The water supply in this case is available at positive pressure. The Adaptor allows connection of soft hose to a hard suction hose, which can then be connected to the inlet of the pump.

Brief Description : AAAG Male Inlet Suction Adaptor, 63 mm size, with 100 mm size Female Round Thread outlet, made of Gunmetal, and suitable for use with equipment/hose coupling having matching Male Round Threads. Adaptor shall have lugs for easy tightening of adaptor on hose coupling.

1.0 GENERAL DATA

1.1	Make	AAAG
1.2	Size	63 mm
1.3	Inlet	63 mm Male Instantaneous Adaptor
1.4	Outlet	100 mm Female Round Threads
1.5	Material of Construction	Gunmetal
1.6	Reference	--

2.0 MATERIAL OF CONSTRUCTION

2.1	Adaptor Body	Gunmetal, IS:318 LTB-2
2.2	Washer	Rubber, IS:937 Type B

3.0 TESTING AND QUALITY CONTROL

3.1	Dimensional check	See drawing below
3.2	Hydrostatic Test Pressure (Body)	21 kgf/cm ² for 2.5 minutes
3.3	Documentation	Internal inspection report, supplier's certificates, approved laboratory test certificates

4.0 OPERATIONAL/ TECHNICAL DATA

4.1	Working Pressure Range	Upto 14 Kgf/cm ²
4.2	Weight (approx.)	1.8 Kgs. (approx)

5.0 FINISH

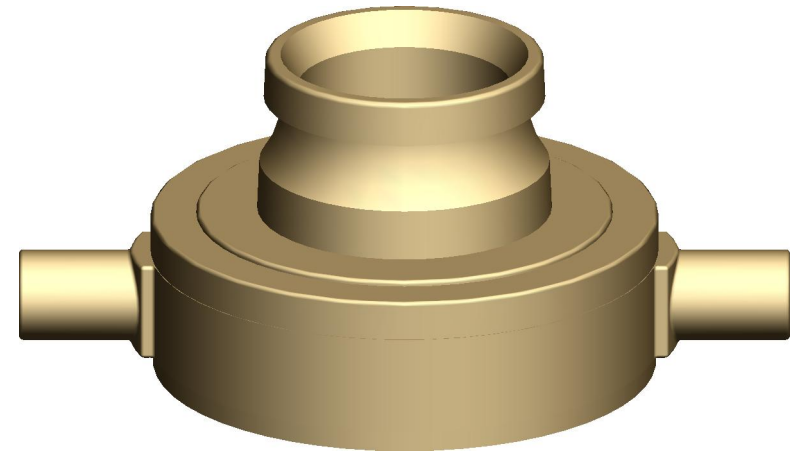
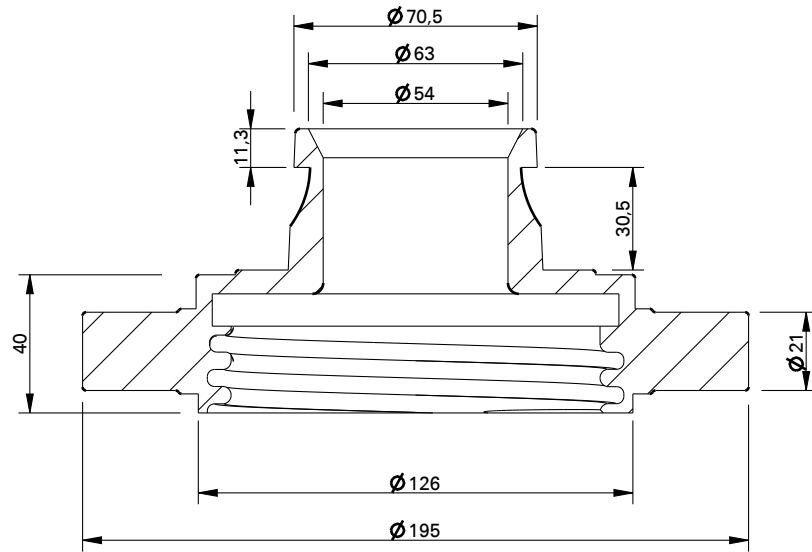
5.1	Adaptor	Natural finish/Polished
-----	---------	-------------------------

6.0 APPROVALS & MARKING

6.1	Approvals	--
6.2	Marking	AAAG/ Year of Mfg./SI No

7.0 WARRANTY

7.1	Warranty & Guarantee	12 Months from the date of supply
-----	----------------------	-----------------------------------



Shah Bhogilal Jethalal & Bros.

AHMEDABAD

TITLE : Male Instantenous x FRT (100 mm)
Suction Adaptor, Gunmetal

SCALE	DRAWING NO:	SHEET	REV.
N.T.S	G148-63BJ	1 OF 1	0