

MALE INLET ADAPTOR WITH NRV**SS316, 63 MM, CONVENTIONAL**

Male Instantaneous Adaptor with Non Return valve allow the flow of water in one direction only, and prevent flow in the opposite direction. A spring loaded seat seals against the outlet surface preventing the flow of water in reverse direction. These are useful in equipment such as Collecting heads for suction hoses, and common headers for Trolley/Trailer monitors.

Brief Description : AAAG Male Instantaneous Adaptor with Non Return valve, 63 mm size, Conventional Design, made of Stainless Steel (SS316), having 63 mm Male BSP threads, and provided with spring loaded valve suitable arrangement to allow the flow of water in one direction, but prevent flow in reverse direction.

1.0 GENERAL DATA

| | | |
|-----|--------------------------|----------------------------------|
| 1.1 | Make | AAAG |
| 1.2 | Size | 63 mm |
| 1.3 | Inlet | 63 mm Male Instantaneous Adaptor |
| 1.4 | Outlet | 63 mm Male BSP Threads |
| 1.5 | Material of Construction | Stainless Steel (SS316) |
| 1.6 | Reference | -- |

2.0 MATERIAL OF CONSTRUCTION

| | | |
|-----|---------|-------------------------|
| 2.1 | Body | SS316, IS:3444 Grade IV |
| 2.2 | Spindle | SS316, IS:3444 Grade IV |
| 2.3 | Spring | SS316, IS:3444 Grade IV |
| 2.4 | Washer | Rubber, IS:937 Type B |

3.0 TESTING AND QUALITY CONTROL

| | | |
|-----|----------------------------------|--|
| 3.1 | Dimensional check | See drawing below |
| 3.2 | Hydrostatic Test Pressure (Body) | 21 kgf/cm ² for 2.5 minutes |
| 3.3 | Documentation | Internal inspection report, supplier's certificates, approved laboratory test certificates |

4.0 OPERATIONAL/ TECHNICAL DATA

| | | |
|-----|------------------------|-----------------------------|
| 4.1 | Working Pressure Range | Upto 14 Kgf/cm ² |
| 4.2 | Weight (approx.) | 1.5 Kgs. (approx) |

5.0 FINISH

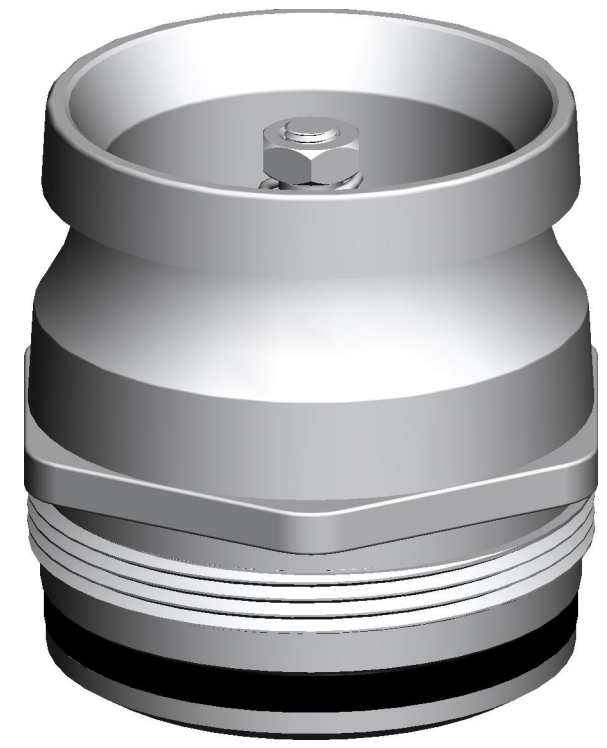
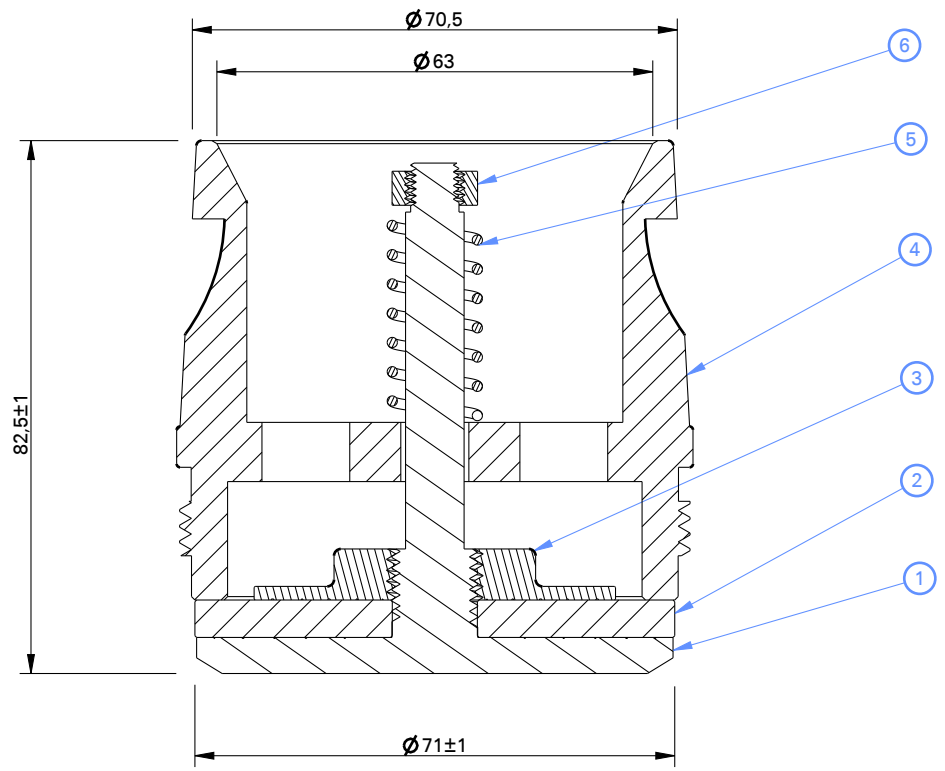
| | | |
|-----|---------|-------------------------|
| 5.1 | Adaptor | Natural finish/Polished |
|-----|---------|-------------------------|

6.0 APPROVALS & MARKING


| | | |
|-----|-----------|--------------------------|
| 6.1 | Approvals | -- |
| 6.2 | Marking | AAAG/ Year of Mfg./SI No |

7.0 WARRANTY

| | | |
|-----|----------------------|-----------------------------------|
| 7.1 | Warranty & Guarantee | 12 Months from the date of supply |
|-----|----------------------|-----------------------------------|



| 1 | Valve | SS 316 (IS:3444 Gr.4) |
|-----------|-------------|-----------------------|
| 2 | Washer | Rubber IS:937 |
| 3 | Check Nut | IS:6603 |
| 4 | Male Inst. | SS 316 (IS:3444 Gr.4) |
| 5 | Spring | IS:6528 |
| 6 | Nut | M.S |
| NO | DESCRIPTION | MATERIAL |
| PART LIST | | |

| | | | |
|--|--------------------|--------------|-------------|
|  Shah Bhogilal Jethalal & Bros. AHMEDABAD | | | |
| TITLE : Male Instantaneous Inlet Adaptor (63 mm), With NRV, SS 316 | | | |
| SCALE | DRAWING NO: | SHEET | REV. |
| N.T.S | SM146-63CL | 1 OF 1 | 0 |