

## MALE INLET ADAPTOR WITH NRV

SS304, 63 MM, CONVENTIONAL



Male Instantaneous Adaptor with Non Return valve allow the flow of water in one direction only, and prevent flow in the opposite direction. A spring loaded seat seals against the outlet surface preventing the flow of water in reverse direction. These are useful in equipment such as Collecting heads for suction hoses, and common headers for Trolley/Trailer monitors.

**Brief Description :** AAAG Male Instantaneous Adaptor with Non Return valve, 63 mm size, Conventional Design, made of Stainless Steel (SS304), having 63 mm Male BSP threads, and provided with spring loaded valve arrangement to allow the flow of water in one direction, but prevent flow in reverse direction.

### 1.0 GENERAL DATA

1.1	Make	AAAG
1.2	Size	63 mm
1.3	Inlet	63 mm Male Instantaneous Adaptor
1.4	Outlet	63 mm Male BSP Threads
1.5	Material of Construction	Stainless Steel (SS304)
1.6	Reference	--

### 2.0 MATERIAL OF CONSTRUCTION

2.1	Body	SS304, IS:3444 Grade I
2.2	Spindle	SS304, IS:3444 Grade I
2.3	Spring	SS304, IS:3444 Grade I
2.4	Washer	Rubber, IS:937 Type B

### 3.0 TESTING AND QUALITY CONTROL

3.1	Dimensional check	See drawing below
3.2	Hydrostatic Test Pressure (Body)	21 kgf/cm <sup>2</sup> for 2.5 minutes
3.3	Documentation	Internal inspection report, supplier's certificates, approved laboratory test certificates

### 4.0 OPERATIONAL/ TECHNICAL DATA

4.1	Working Pressure Range	Upto 14 Kgf/cm <sup>2</sup>
4.2	Weight (approx.)	1.5 Kgs. (approx)

### 5.0 FINISH

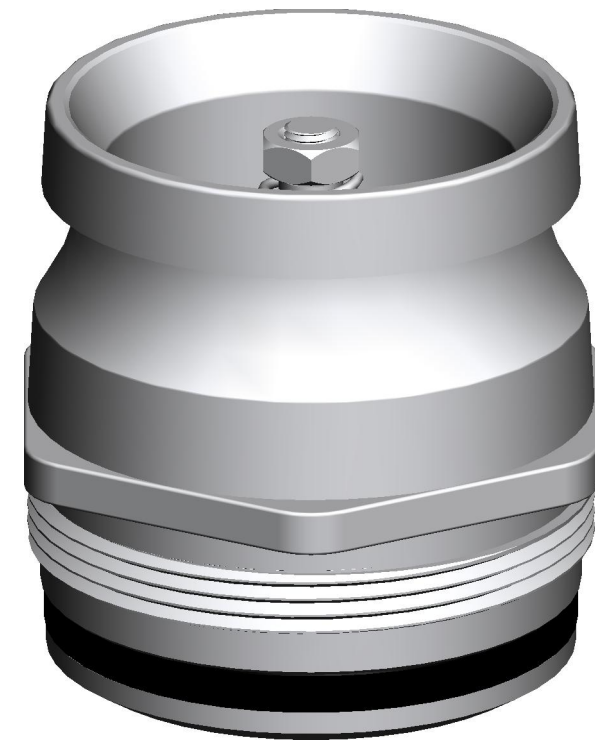
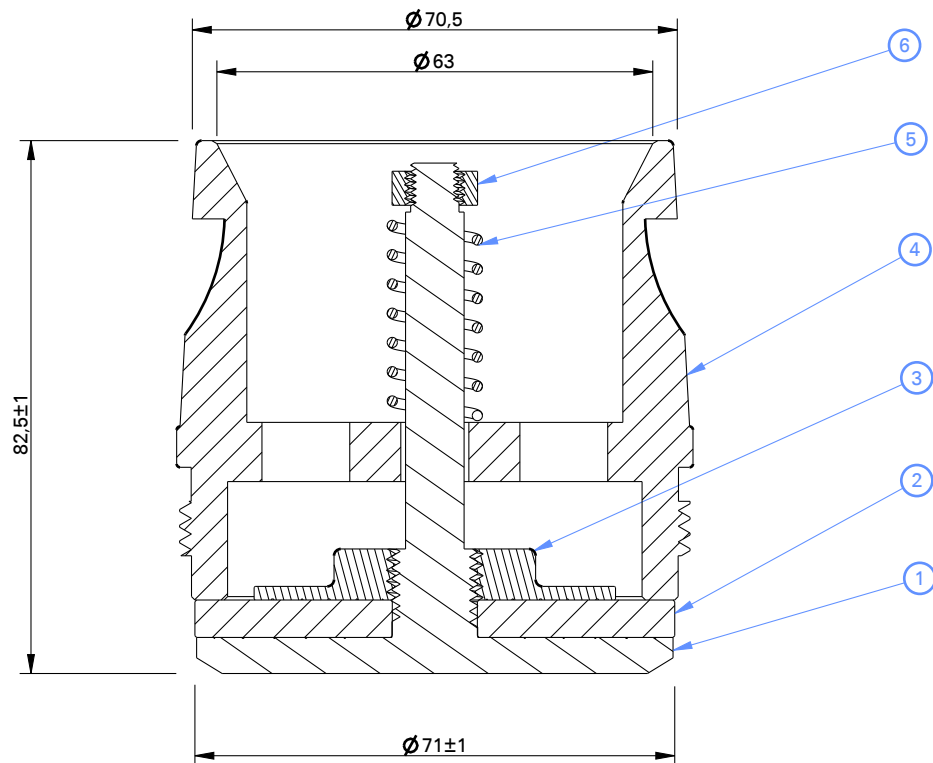
5.1	Adaptor	Natural finish/Polished
-----	---------	-------------------------

### 6.0 APPROVALS & MARKING


6.1	Approvals	--
6.2	Marking	AAAG/ Year of Mfg./SI No

### 7.0 WARRANTY

7.1	Warranty & Guarantee	12 Months from the date of supply
-----	----------------------	-----------------------------------



1	Valve	SS 304 (IS:3444 Gr.1)
2	Washer	Rubber IS:937
3	Check Nut	IS:6603
4	Male Inst.	SS 304 (IS:3444 Gr.1)
5	Spring	IS:6528
6	Nut	M.S
NO.	DESCRIPTION	MATERIAL
PART LIST		

 <b>Shah Bhogilal Jethalal &amp; Bros.</b> AHMEDABAD			
<b>TITLE :</b> Male Instantaneous Inlet Adaptor (63 mm), With NRV, SS 304			
<b>SCALE</b>	<b>DRAWING NO:</b>	<b>SHEET</b>	<b>REV.</b>
N.T.S	S146-63CL	1 OF 1	0