

MALE INLET ADAPTOR WITH NRV

GUNMETAL, 63 MM, CONVENTIONAL



Male Instantaneous Adaptor with Non Return valve allow the flow of water in one direction only, and prevent flow in the opposite direction. A spring loaded seat seals against the outlet surface preventing the flow of water in reverse direction. These are useful in equipment such as Collecting heads for suction hoses, and common headers for Trolley/Trailer monitors.

Brief Description : AAAG Male Instantaneous Adaptor with Non Return valve, 63 mm size, Conventional Design, made of Gunmetal, having 63 mm Male BSP threads, and provided with spring loaded valve arrangement to allow the flow of water in one direction, but prevent flow in reverse direction.

1.0 GENERAL DATA

1.1	Make	AAAG
1.2	Size	63 mm
1.3	Inlet	63 mm Male Instantaneous Adaptor
1.4	Outlet	63 mm Male BSP Threads
1.5	Material of Construction	Gunmetal
1.6	Reference	--

2.0 MATERIAL OF CONSTRUCTION

2.1	Body	Gunmetal, IS:318 LTB-2
2.2	Spindle	Gunmetal, IS:318 LTB-2
2.3	Spring	Phosphor Bronze Wire IS: 7608
2.4	Washer	Rubber, IS:937 Type B

3.0 TESTING AND QUALITY CONTROL

3.1	Dimensional check	See drawing below
3.2	Hydrostatic Test Pressure (Body)	21 kgf/cm ² for 2.5 minutes
3.3	Documentation	Internal inspection report, supplier's certificates, approved laboratory test certificates

4.0 OPERATIONAL/ TECHNICAL DATA

4.1	Working Pressure Range	Upto 14 Kg/cm ²
4.2	Weight (approx.)	1.5 Kgs. (approx)

5.0 FINISH

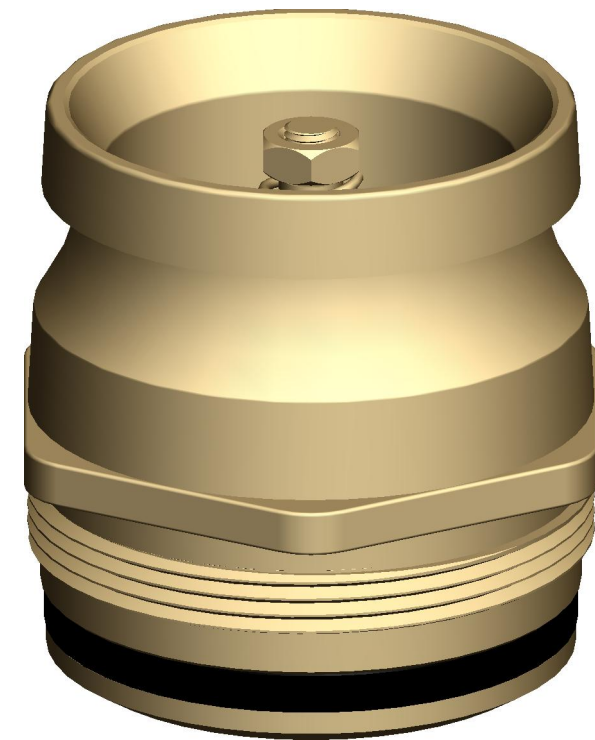
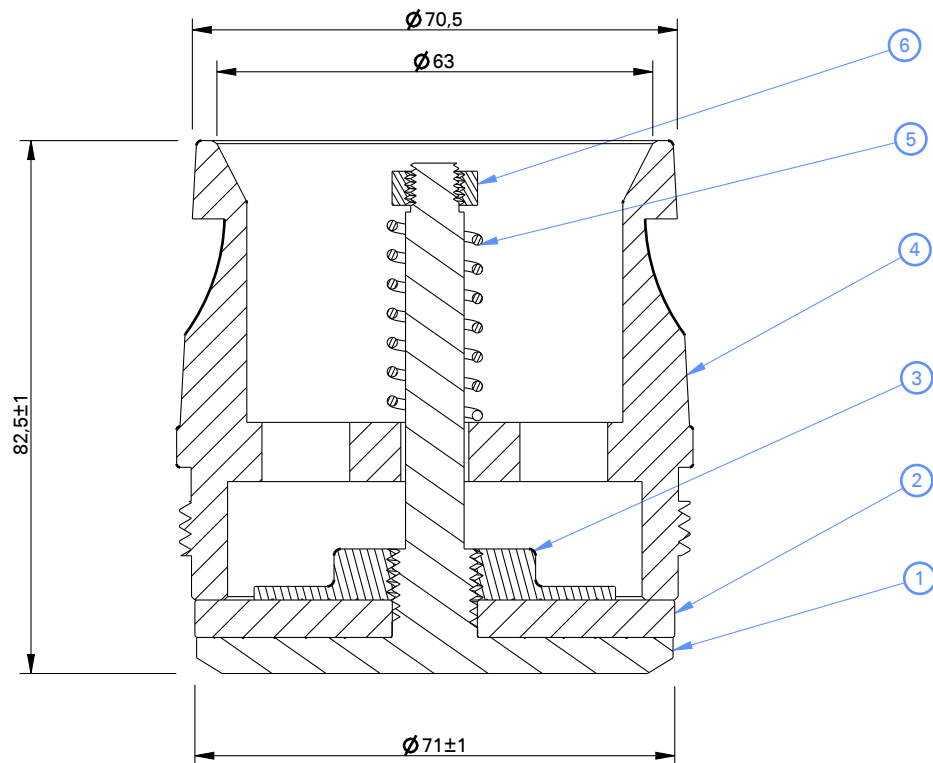
5.1	Adaptor	Natural finish/Polished
-----	---------	-------------------------

6.0 APPROVALS & MARKING


6.1	Approvals	--
6.2	Marking	AAAG/ Year of Mfg./SI No

7.0 WARRANTY

7.1	Warranty & Guarantee	12 Months from the date of supply
-----	----------------------	-----------------------------------



1	Valve	G.M IS: 318 LTB-2
2	Washer	Rubber IS:937
3	Check Nut	Brass IS: 319
4	Male Inst.	G.M IS:318 LTB-2
5	Spring	IS:7608
6	Nut	M.S
NO	DESCRIPTION	MATERIAL
PART LIST		

 Shah Bhogilal Jethalal & Bros. AHMEDABAD			
TITLE : Male Instantaneous Inlet Adaptor (63 mm), With NRV, Gunmetal			
SCALE	DRAWING NO:	SHEET	REV.
N.T.S	G146-63CL	1 OF 1	0