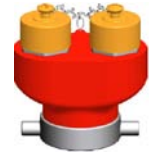


## SUCTION COLLECTING HEAD

SS316, 2-WAY, AS PER IS:904



Suction Collecting Heads are used where it is required to feed the pump using hydrant supply and soft suction hoses. The Collecting Head is used to connect the soft hoses with a hard suction hose, which can then be connected to the inlet of the pump. Non-return valves are provided in the Collecting head, and prevent back-flow.

**Brief Description :** AAAG 2 Way Suction Collecting Head, as per IS:904, made of Stainless Steel (SS316), having 2 Nos. 63 mm size Male instantaneous inlets with NRVs, and One No. 75 mm size Female Round Thread outlet suitable for use with other suction fittings and equipment having matching Male Round Threads.

### 1.0 GENERAL DATA

1.1	Make	AAAG
1.2	Size	63 mm x 2 Nos Inlets
1.3	Type	Collecting Head
1.4	Connection	Female Round Threads 75 mm size
1.5	Material of Construction	Stainless Steel (SS316)
1.6	Reference	IS:904

### 2.0 MATERIAL OF CONSTRUCTION

2.1	Body	SS316, IS:3444 Grade IV
2.2	Male Inlets with NRV	SS316, IS:3444 Grade IV
2.3	FRT Swivel Connector	SS316, IS:3444 Grade IV
2.4	Washer	Rubber, IS:937 Type B

### 3.0 TESTING AND QUALITY CONTROL

3.1	Dimensional check	See drawing below
3.2	Hydrostatic Test Pressure	21 kgf/cm <sup>2</sup> for 2.5 minutes
3.3	Documentation	Internal inspection report, supplier's certificates, approved laboratory test certificates

### 4.0 OPERATIONAL/ TECHNICAL DATA

4.1	Working Pressure Range	Upto 7 Kgf/cm <sup>2</sup>
4.2	Weight (approx.)	7.3 Kgs. (approx)

### 5.0 FINISH

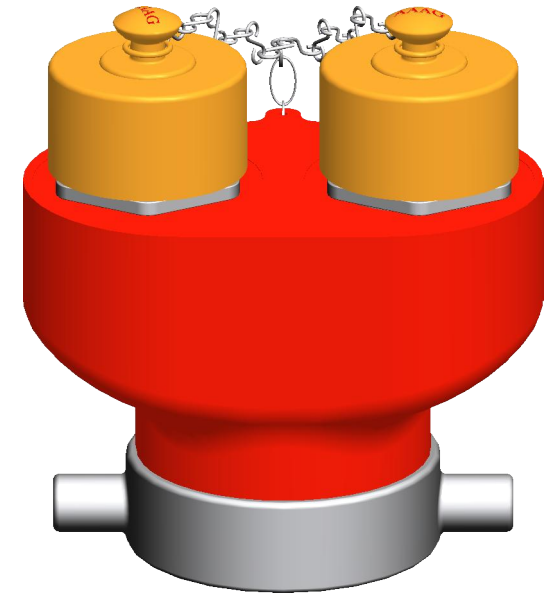
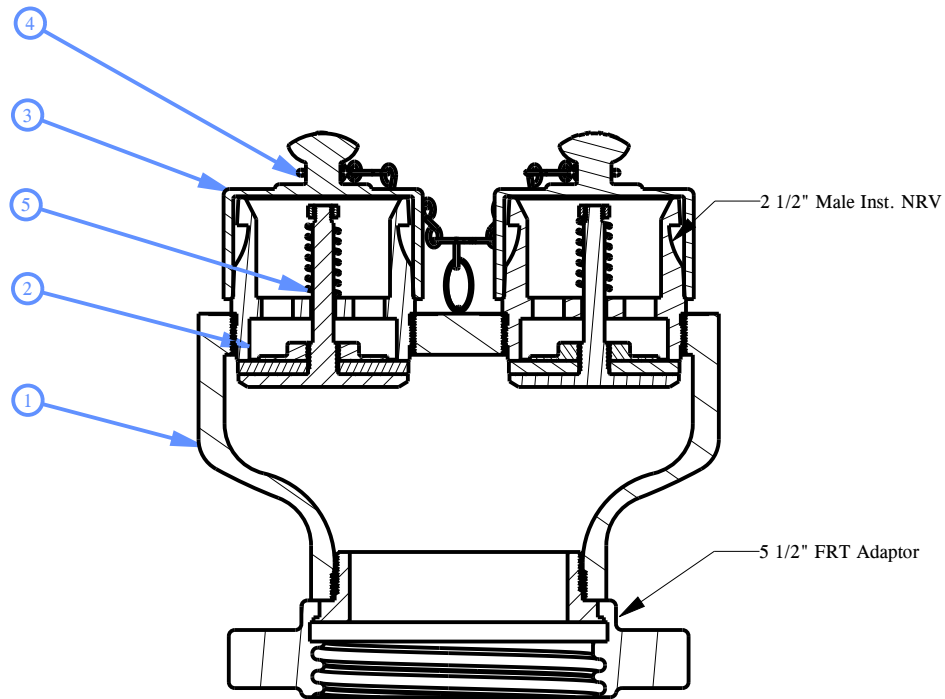
5.1	Collecting Head	Painted - Fire Red Color as per IS: 5 Shade No. 536
-----	-----------------	---

### 6.0 APPROVALS & MARKING

6.1	Approvals	--
6.2	Marking	AAAG/ Year of Mfg./SI No

### 7.0 WARRANTY

7.1	Warranty & Guarantee	12 Months from the date of supply
-----	----------------------	-----------------------------------



1	Body	SS 316 (IS:3444 Gr.4)
2	Male Inst. N.R.V.	SS 316 (IS:3444 Gr.4)
3	Blank Cap	P.V.C
4	Chain	Galvanized
5	Spring	SS IS:6528
NO.	DESCRIPTION	MATERIAL

**PART LIST**



**Shah Bhogilal Jethalal & Bros.**

AHMEDABAD

TITLE : Suction Collecting Head, 2 Way  
(With NRV), SS 316, As Per IS:904

SCALE	DRAWING NO:	SHEET	REV.
N.T.S	SM144-63AS	1 OF 1	0