

FOOT VALVE STRAINER

SS304, 75 mm, CONVENTIONAL



Foot valve Strainers are used where priming the pump may not be possible due to a variety of reasons. By using the Foot Valve Strainer (which incorporates a Non-Return Valve), the suction hose remains flooded when filled with water, hence the pump can be easily primed. During operation of the pump, the valve lifts and allows water to be drawn into the pump.

Brief Description : AAAG Foot valve Strainer, 75 mm size, Conventional Design, constructed of Stainless Steel (SS304), having Female Round Threads of 75 mm size, suitable for use with standard suction fittings and equipment having matching Male Round Threads. A suitable foot valve arrangement shall be incorporated in the strainer.

1.0 GENERAL DATA

1.1	Make	AAAG
1.2	Size	75 mm
1.3	Type	Foot Valve Strainer
1.4	Connection	Female Round Threads 75 mm size
1.5	Material of Construction	Stainless Steel (SS304)
1.6	Reference	--

2.0 MATERIAL OF CONSTRUCTION

2.1	Body/Valve	SS304, IS:3444 Grade I
2.2	Strainer Mesh (Sheet)	SS304
2.3	Washer	Rubber, IS:937 Type B

3.0 TESTING AND QUALITY CONTROL

3.1	Dimensional check	See drawing below
3.2	Documentation	Internal inspection report, supplier's certificates, approved laboratory test certificates

4.0 OPERATIONAL/ TECHNICAL DATA

4.1	Working Pressure Range	---
4.2	Weight (approx.)	4.0 Kgs. (approx)

5.0 FINISH

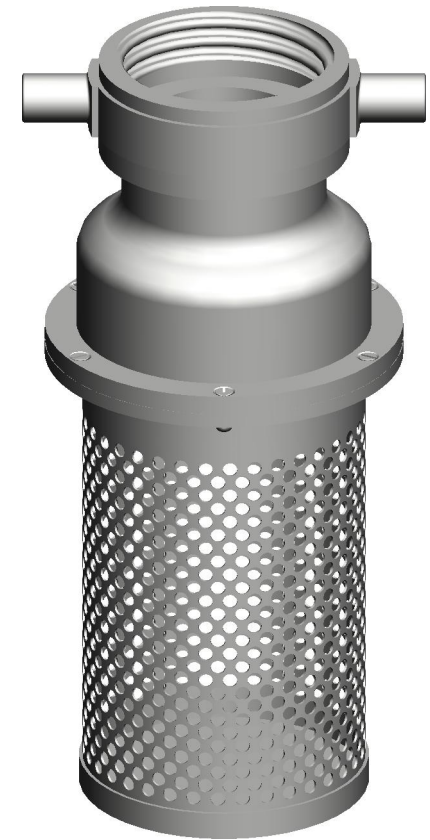
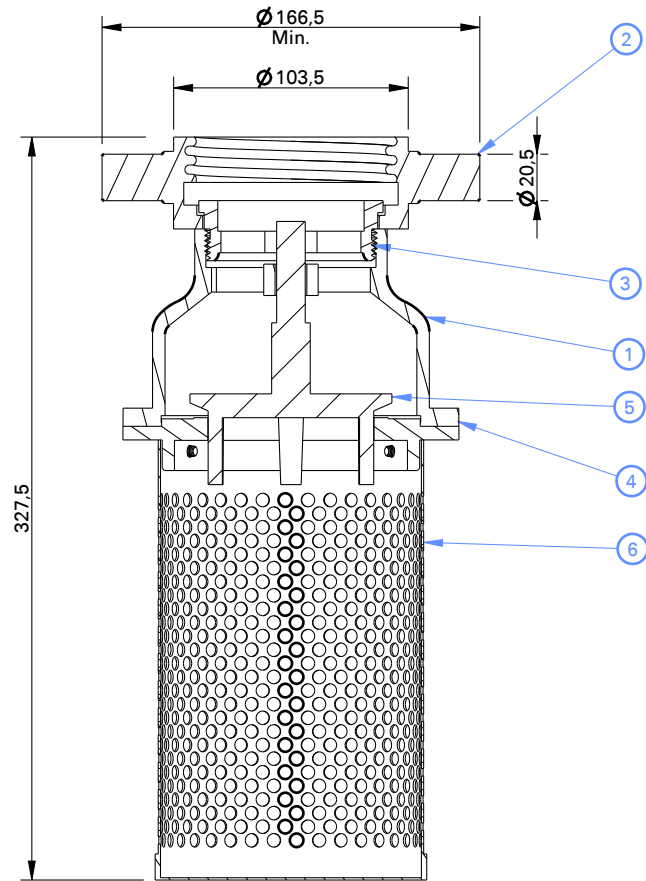
5.1	Strainer	Natural finish/Polished
-----	----------	-------------------------

6.0 APPROVALS & MARKING

6.1	Approvals	--
6.2	Marking	AAAG/ Year of Mfg./SI No

7.0 WARRANTY

7.1	Warranty & Guarantee	12 Months from the date of supply
-----	----------------------	-----------------------------------



1	F.V. Strainer Body	SS 304 (IS: 3444 Gr.1)
2	Nut	SS 304 (IS: 3444 Gr.1)
3	Check Nut	SS 304 (IS: 3444 Gr.1)
4	Disc.	SS 304 (IS: 3444 Gr.1)
5	Valve For F.V Strainer	SS 304 (IS: 3444 Gr.1)
6	Strainer Jali	SS 304 (IS: 3444 Gr.1)
NO	DESCRIPTION	MATERIAL
PART LIST		



Shah Bhogilal Jethalal & Bros.

AHMEDABAD

TITLE :

Foot Valve Strainer, Round Thread
(75 mm), SS 304 Conventional Design

SCALE

N.T.S

DRAWING NO:

S143-75CL

SHEET

1 OF 1

REV.

0