

FOOT VALVE STRAINER

GUNMETAL, 75 mm, CONVENTIONAL



Foot valve Strainers are used where priming the pump may not be possible due to a variety of reasons. By using the Foot Valve Strainer (which incorporates a Non-Return Valve), the suction hose remains flooded when filled with water, hence the pump can be easily primed. During operation of the pump, the valve lifts and allows water to be drawn into the pump.

Brief Description : AAAG Foot valve Strainer, 75 mm size, Conventional Design, constructed of Copper/ Brass sheet and Gunmetal body, having Female Round Threads of 75 mm size, suitable for use with standard suction fittings and equipment having matching Male Round Threads. A suitable foot valve arrangement shall be incorporated in the strainer.

1.0 GENERAL DATA

1.1	Make	AAAG
1.2	Size	75 mm
1.3	Type	Foot Valve Strainer
1.4	Connection	Female Round Threads 75 mm size
1.5	Material of Construction	Gunmetal Body with Copper Sheet
1.6	Reference	--

2.0 MATERIAL OF CONSTRUCTION

2.1	Body/Valve	Gunmetal, IS:318 LTB-2
2.2	Strainer Mesh (Sheet)	Copper Sheet, IS:1972
2.3	Washer	Rubber, IS:937 Type B

3.0 TESTING AND QUALITY CONTROL

3.1	Dimensional check	See drawing below
3.2	Documentation	Internal inspection report, supplier's certificates, approved laboratory test certificates

4.0 OPERATIONAL/ TECHNICAL DATA

4.1	Working Pressure Range	---
4.2	Weight (approx.)	4.5 Kgs. (approx)

5.0 FINISH

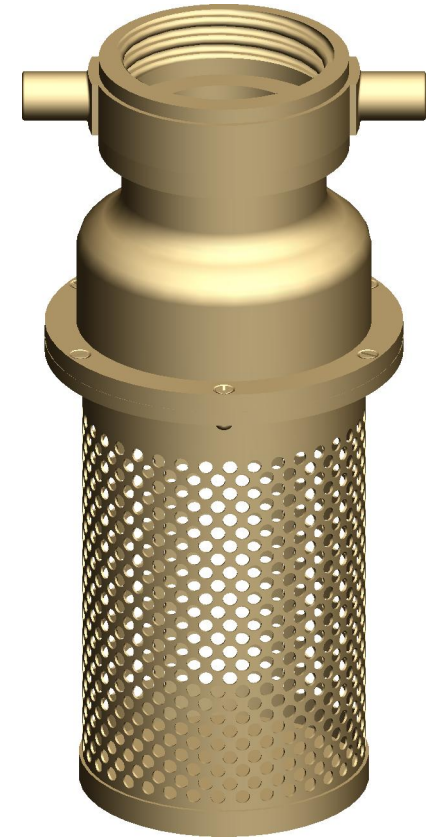
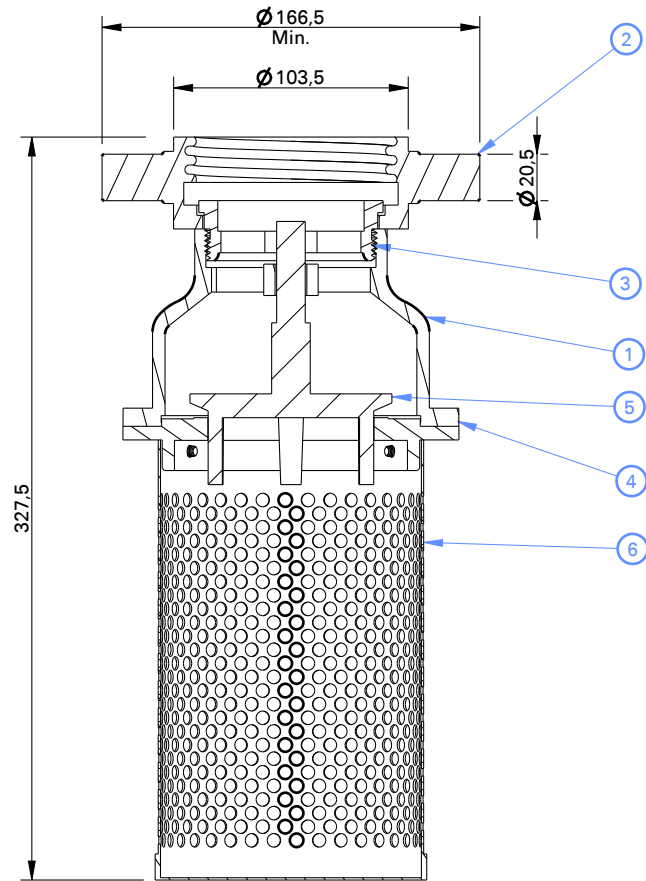
5.1	Strainer	Natural finish/Polished
-----	----------	-------------------------

6.0 APPROVALS & MARKING

6.1	Approvals	--
6.2	Marking	AAAG/ Year of Mfg./SI No

7.0 WARRANTY

7.1	Warranty & Guarantee	12 Months from the date of supply
-----	----------------------	-----------------------------------



1	F.V. Strainer Body	G.M IS: 318 LTB-2
2	Nut	G.M IS: 318 LTB-2
3	Check Nut	G.M IS: 318 LTB-2
4	Disc.	G.M IS: 318 LTB-2
5	Valve For F.V Strainer	G.M IS: 318 LTB-2
6	Strainer Jali	Brass
NO	DESCRIPTION	MATERIAL
PART LIST		



Shah Bhogilal Jethalal & Bros.

AHMEDABAD

TITLE :

Foot Valve Strainer, Round Thread
(75 mm), Gunmetal Conventional Design

SCALE

N.T.S

DRAWING NO:

G143-75CL

SHEET

1 OF 1

REV.

0