

SUCTION STRAINER

SS316, 75 mm, AS PER IS:907



Suction Strainers are connected to suction hoses when pumping from open water sources such as tanks, ponds or rivers. The Strainer prevents foreign matter, including stones, debris, vegetation, etc from coming into the suction line, and causing damage to the pump and/or firefighting equipment.

Brief Description : AAAG Suction Strainer, 75 mm size, as per IS:907, made of Stainless Steel (SS316), having Female Round Threads of 75 mm size, and suitable for connection with suction hose couplings of similar size threads. Strainer shall have minimum number and size of holes as per IS:907.

1.0 GENERAL DATA

| | | |
|-----|--------------------------|---------------------------------|
| 1.1 | Make | AAAG |
| 1.2 | Size | 75 mm |
| 1.3 | Type | Standard Strainer |
| 1.4 | Connection | Female Round Threads 75 mm size |
| 1.5 | Material of Construction | Stainless Steel (SS316) |
| 1.6 | Reference | IS:907 |

2.0 MATERIAL OF CONSTRUCTION

| | | |
|-----|-----------------------|-------------------------|
| 2.1 | Body | SS316, IS:3444 Grade IV |
| 2.2 | Strainer Mesh (Sheet) | SS316 |
| 2.3 | Washer | Rubber, IS:937 Type B |

3.0 TESTING AND QUALITY CONTROL

| | | |
|-----|-------------------|--|
| 3.1 | Dimensional check | See drawing below |
| 3.2 | Documentation | Internal inspection report, supplier's certificates, approved laboratory test certificates |

4.0 OPERATIONAL/ TECHNICAL DATA

| | | |
|-----|------------------------|-------------------|
| 4.1 | Working Pressure Range | --- |
| 4.2 | Weight (approx.) | 2.7 Kgs. (approx) |

5.0 FINISH

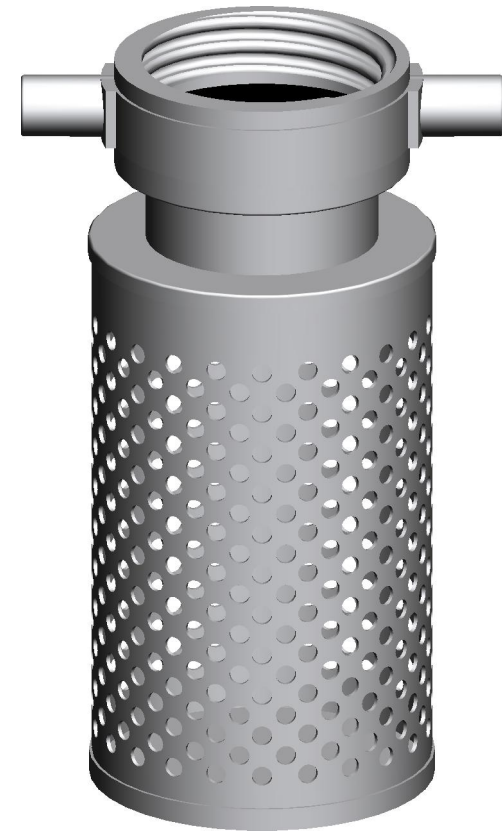
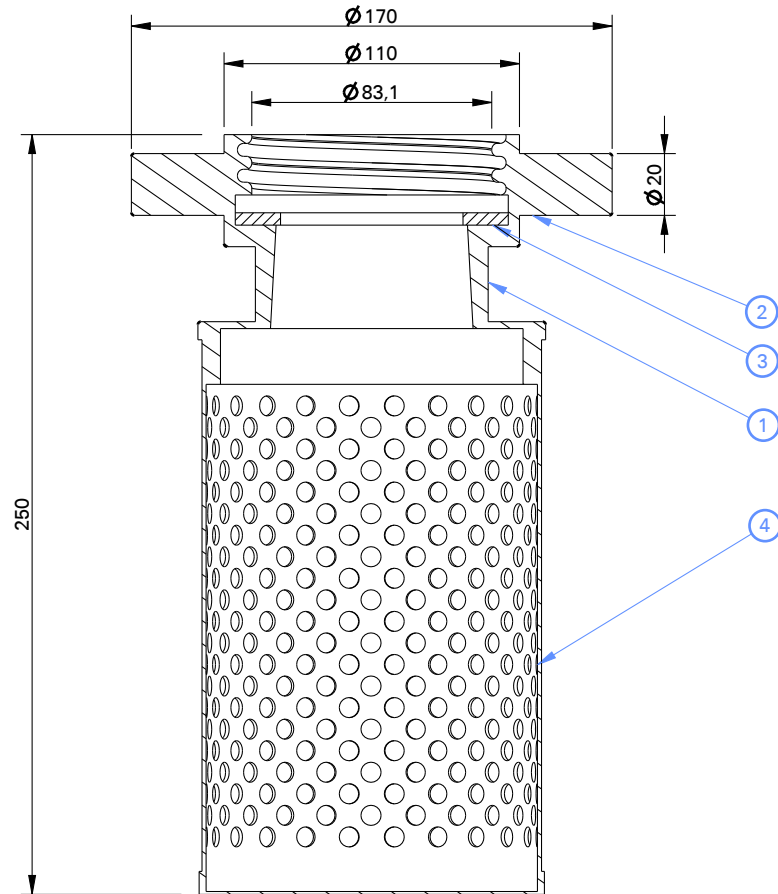
| | | |
|-----|----------|-------------------------|
| 5.1 | Strainer | Natural finish/Polished |
|-----|----------|-------------------------|

6.0 APPROVALS & MARKING

| | | |
|-----|-----------|--------------------------|
| 6.1 | Approvals | -- |
| 6.2 | Marking | AAAG/ Year of Mfg./SI No |

7.0 WARRANTY

| | | |
|-----|----------------------|-----------------------------------|
| 7.1 | Warranty & Guarantee | 12 Months from the date of supply |
|-----|----------------------|-----------------------------------|



| 1 | Suction Strainer Body | SS 316 (IS: 3444 Gr.4) |
|-----------|-----------------------|------------------------|
| 2 | Nut | SS 316 (IS: 3444 Gr.4) |
| 3 | Washer | Rubber IS:937 |
| 4 | Strainer Jali | SS 316 (IS: 3444 Gr.4) |
| NO. | DESCRIPTION | MATERIAL |
| PART LIST | | |



Shah Bhogilal Jethalal & Bros.

AHMEDABAD

TITLE :
Suction Strainer, Round Thread
(75 mm), SS 316, As Per IS: 907

| SCALE | DRAWING NO: | SHEET | REV. |
|-------|-------------|--------|------|
| N.T.S | SM142-75AS | 1 OF 1 | 0 |